

Save These Instructions

Owners Instructions

For

Brunco Hearthglow Coal Stove

**"All instructions must be in accordance with local
and state codes which may differ from this manual"**

Manufactured by: L. B. Brunk & Sons, Inc.

10460 St. Rt. 45 N

Salem, Oh 44460

BRUNCO HEARTHGLOW COAL STOVE

General Instructions

The Brunco Hearthglow Stove is designed for use as a freestanding coal burning stove. It has been properly tested and labeled by the Arnold Greene Testing Laboratories, Inc. of Natick, MA. The standard used for testing and evaluation was Underwriters Laboratories, Inc. Standard for Solid Fuel Type Room Heaters ANSI-UL 1482. This heater complies with federal regulation YOCFR60 as a coal burning heater. Use of any other solid fuel except for coal ignition purposes is a violation of federal E.P.A. clean air laws.

SAFETY NOTICE: IF THIS BRUNCO HEARTHGLOW STOVE IS NOT PROPERLY INSTALLED, A HOUSE FIRE MAY RESULT. FOR YOUR SAFETY, FOLLOW THE INSTALLATION DIRECTIONS. CONTACT LOCAL BUILDING OR FIRE OFFICIALS ABOUT RESTRICTIONS AND INSTALLED IN YOUR AREA.

A) Check List of Parts:

- | | |
|---------------------|--------------------------|
| 1 - Smoke Collar | 5 - Blower Speed Control |
| 2 - Name Plate | 6 - Pkg. of Misc. Screws |
| 3 - Shaker Handle | 7 - Firebrick (16) |
| 4 - Blower and Cord | |

B) Assembly of Stove:

1 - Install firebrick in place by slipping top of brick under retainer and lifting up and setting bottom of brick into place.

2 - Choose either top or rear smoke outlet by securing smoke collar with four screws either on back or top cutout of stove. Then fasten name plate over remaining hole and tighten screws. No gasketing is needed between these cast iron pieces and the stove.

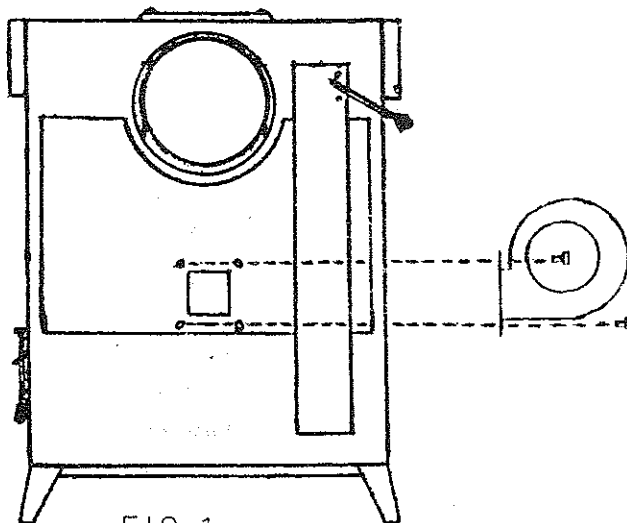


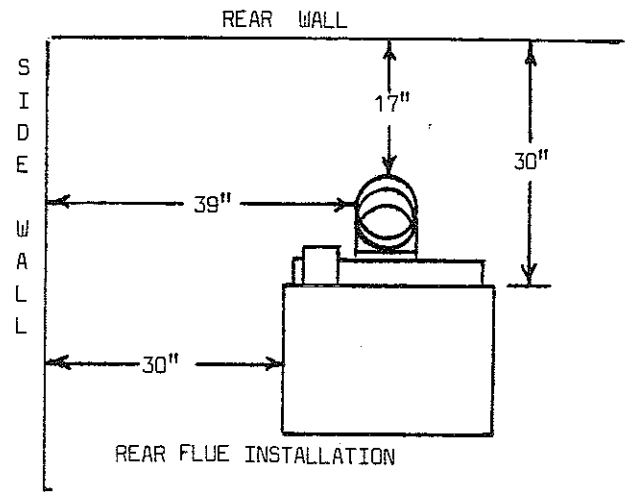
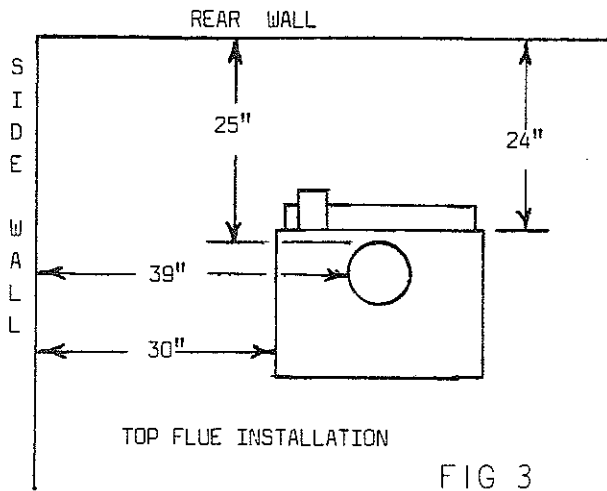
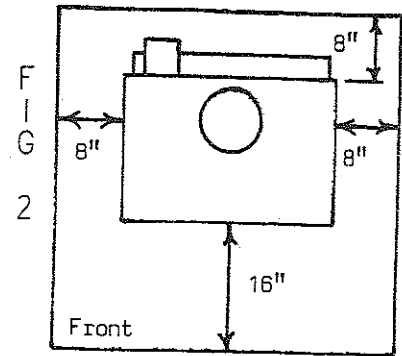
FIG. 1

3 - Install blower on back of stove with the four screws provided. The fan housing of the blower should be upward with the cord on the right side as you face the back of the stove. This will keep the blower from interfering with the draft intake flap. A variable speed control is included with your stove and may be plugged into a regular wall receptacle, giving you a convenient switch with adjustable speed.

4 - The grates should be checked by putting the shaker handle on the extended grate and rocking back and forth. Grates should operate freely.

C) Installation of Stove:

1 - The Brunco Stove should always be installed on a non combustable surface. This material should be applied to the floor underneath the stove extending in front 16 inches, on the sides approximately 8 inches, and out the back at least under the flue connection area of the heater and 2 inches to either side of the connector. Floor protection material must be at least equal to 3/8" asbestos millboard.



2 - Install 30" from combustible wall to the back or 30" from the sides of the stove as shown in the above diagram. Closer clearance may be achieved by use of approved non-combustible wall protectors or brick. Your local dealer will be able to assist you with these specifications. All home furnishings must be kept at least 36" from the stove to avoid the occurrence of fire.

3 - Connect only to an 8" or larger Class A masonry chimney or all fuel factory built chimneys that are approved by Underwriters fuel factory built chimneys that are approved by Underwriters Laboratories. Use of aluminum type B gas vent for solid fuels is unsafe and prohibited by the National Fire Protection Association Code. The chimney should extend at least three feet above the roof and at least two feet above the nearest point of roof within ten feet of the chimney. The wall thimble or chimney connection must comply with local building and fire codes and should be of approved material and safety inspected by your local authorities. In order for the smoke pipe to pass through any combustible wall or ceiling it must be an insulated or air cooled thimble designed and tested as such. If a masonry thimble is used it should be surrounded by at least 8" of solid masonry with a 1" air space before contacting any combustible material. Once the pipe passes through a wall or ceiling it is necessary to continue with a Class A masonry or all-fuel factory built chimney to the termination for safety and performance.

4 - Use at least 24 gauge pipe inside the room with at least 18" clearance from pipe to combustible material on wall or ceiling. It is not recommended to use more than one elbow in stove pipe. The chimney connection pipe should extend at least 2" into the chimney but not so far

that it blocks air flow. Note that the smoke collar is designed for the pipe to fit inside. All connections should be made this way so that condensation or creosote will not drip out the joints of the flue pipe. Drip free elbows are also recommended. Each joint should be drilled and sheet metal screwed. A damper is recommended in the smoke pipe approximately 1 - 2 feet above the stove when burning wood, or a barometric draft regulator may be used when burning coal. This will help to control the draft of the flue pipe so that overheating does not occur. A draft that is too low will often cause the stove to smoke. The longer the pipe length and the larger number of elbows, the greater the chance of dangerous creosote and ash build up. The Brunco will achieve maximum heat output without lengthy pipes. All horizontal pipes should be tilted at least 1/4" per foot upward toward the chimney.

5 - Fill out warranty registration with the model name and serial number of the unit. This information will be found on the name plate (on the back of the stove). File the warranty copy in your file for future reference and mail the card to Brunco. This should be done at the time the unit is installed.

D) The First Fire:

1 - Blower should be plugged into regular 115 volt wall outlet and checked for good operation. The stove may be operated under normal conditions with the blower either in the on or off position. We recommend that the blower should be left running when the stove is burning at a hotter than average temperature.

2 - Burn a small newspaper fire in the stove to check the draft of the chimney. A poor drafting chimney may cause the stove to smoke. If this should be the case, necessary steps should be taken to improve the chimney draft.

3 - Build a wood fire in the stove and fire up slowly so that the paint and stove can cure properly. There will be some smoke smell during the first few fires as the paint on the stove cures from the heat. The wood fire will then be used to ignite the coal fuel. The use of wood for heat in this stove except for coal ignition is a violation of U.S. E.P.A. clean air laws.

4 - The glass window is designed for better heat performance as well as good looks. Treat is carefully and you will get very little breakage problem. It is designed to withstand both wood or coal heat. The glass may become smoked over when the stove is being used. You will find that a hotter fire will help to keep the glass clean.

5 - Always use leather gloves when servicing and operating stove.

E) Operation:

1 - Build your solid fuel fire directly on top of the cast iron shaker grates. No additional grate is needed. Ignite a small amount of wood fuel and then cover it with stove size bituminous coal which in turn will become ignited. The draft controls should be set for maximum output until the coal begins to burn. When the coal bed becomes hot, then more coal as needed may be added and the draft control settings should be set to the desired heating requirements.

2 - A coal fire should not be built above the top of the firebrick, or the bottom of the loading door. The grates will need to be kept free of dead ash to gain maximum heat efficiency with coal.

3 - A good grade of clean washed coal is recommended for use in this stove. It will achieve better, cleaner combustion and will not jam up the grates as badly and will made less clinker ash. A clean coal and proper draft settings will produce a finer ash rather than a clinker.

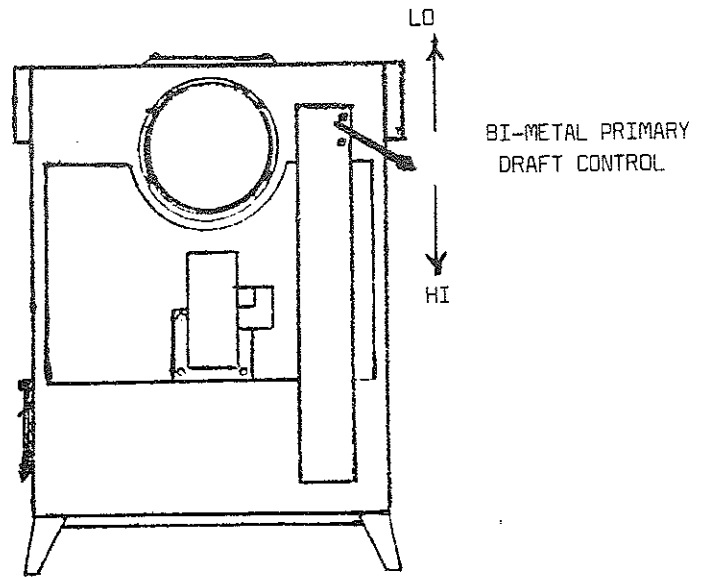
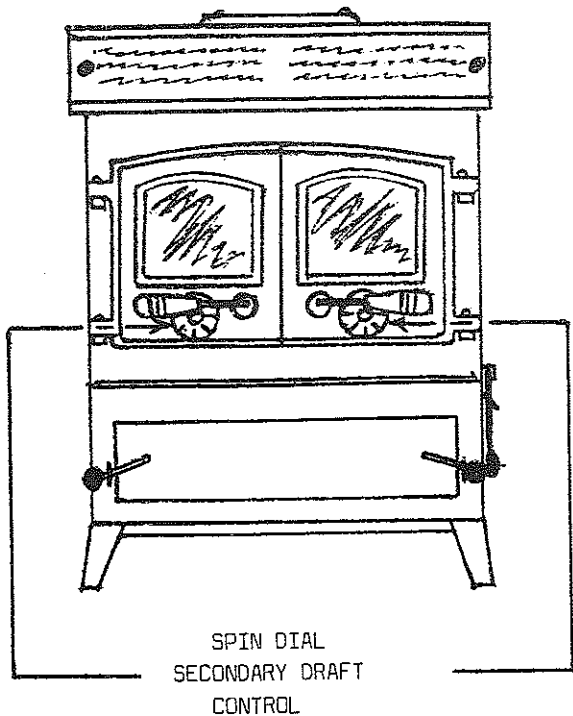


FIG 4 & 5

4 - The bi-metal draft control should be adjusted so that the damper is just touching closed when the stove is burning at the desired temperature. The lever may be lowered to increase heat output or automatically open or close the damper to help maintain proper stove temperature. The bi-metal spring is activated by the temperature of the stove, not by room temperature.

5 - The spinner draft knobs on the doors may be opened as required to provide secondary air supply above the fire. Good coal combustion requires a mix of both primary and secondary air.

The settings of these controls will vary somewhat with each chimney draft and installation and will need to be adjusted accordingly to achieve desired heat output. At no time should the stove be operated to such an extent that any portion becomes "red hot".

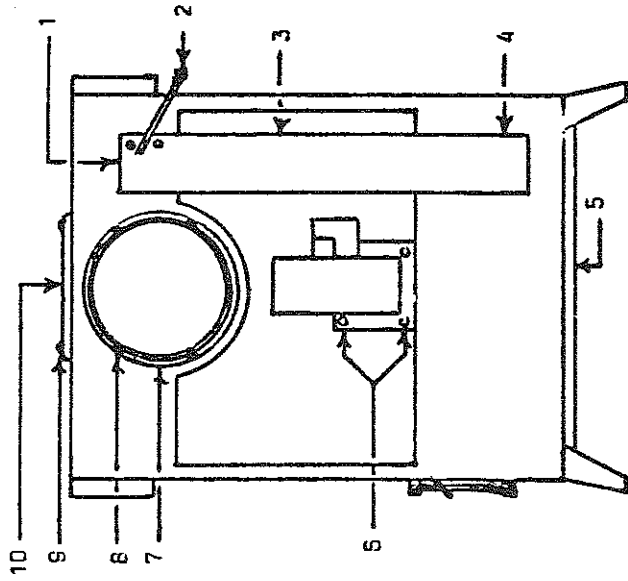
6 - Ash pan should be emptied on a regular basis so that no ashes build up to the bottom of the grates. If ashes touch the grates it reduced draft efficiency and could cause the grates to burn out. Ashes should be placed in a metal container with a tight fitting lid. The closed container of ashes should be placed on a non-combustible floor or on the ground, well away from all combustible materials, pending final disposal. If the ashes are disposed of by burial in soil or otherwise locally dispersed, they should be retained in the closed container until all cinders have thoroughly cooled.

7 - Never use gasoline, gasoline-type lantern fuel, kerosene, charcoal lighter fluid, or similar liquids to start or freshen up a fire in this heater. Keep all such liquids well away from the heater while it is in use.

8 - It is not recommended to leave the stove unattended at any time with the door open. **DO NOT** leave the ash door open at any time except to remove ashes.

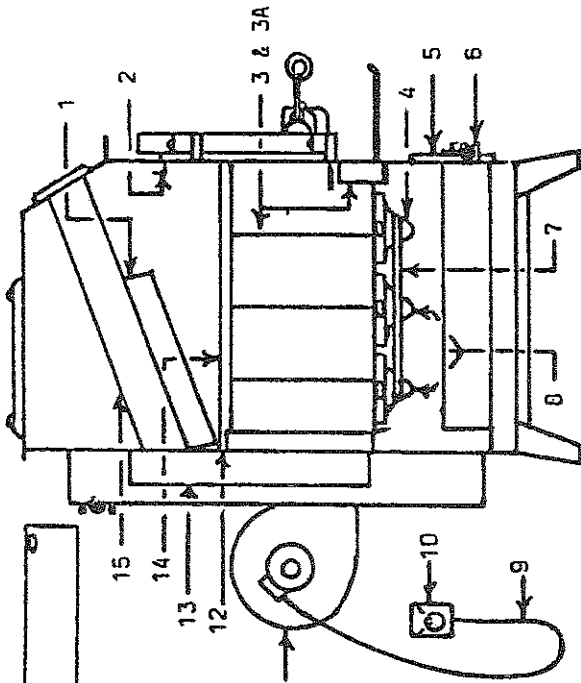
9 - When coal is burned, the products of combustion combine with moisture to form a soot residue which accumulates on the flue lining. When ignited this soot makes an extremely hot fire.

BRUNCO HEARTHGLOW COAL STOVE



- 1 - DD20B Bi-metal Draft Control Assembly (1)
- 2 - DD32 Draft Control Handle (1)
- 3 - DD21B Draft Chain (Not Shown) (1)
- 4 - DD23B Draft Flap (Not Shown) (1)
- 5 - DD27 Heat Shield (1)
- 6 - DD17 Blower Bolts (4)
- 7 - C33 Smoke Collar Cast Iron (1)
- 8 - DD24 Smoke Collar Bolts & Nuts (4)
- 9 - DD25 Name Plate Bolts & Nuts (4)
- 10 - P44 Name Plate Cast Iron (1)

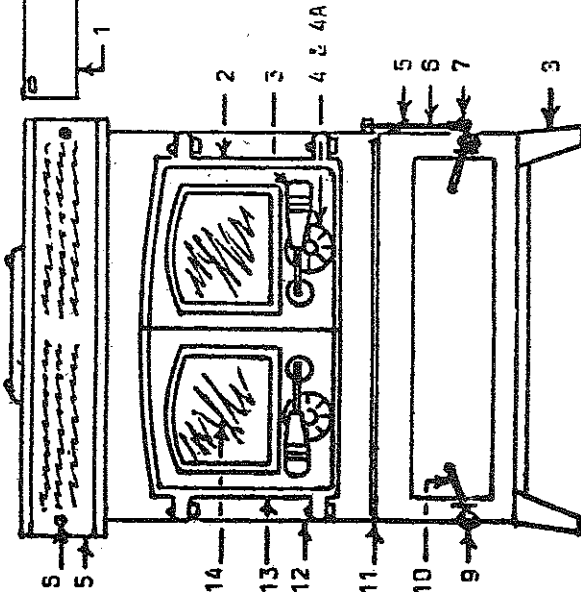
- DD2 1/2" Fiberglass Door Seal (Not Shown)
- 7' - Loading Door
- 4 1/2' - Ash Pan
- WS28 Self Adhesive Glass Gasket
- 2 1/2' - Each Glass (2)



- 1 - DD12 Removeable Baffle (1)
- 2 - DD30 Smoke Baffle Hoods (Welded) (2)
- 3 - 1 1/4 x 4 1/2 x 9 Firebrick (15)
- 3A - 1 1/4 x 4 1/2 x 4 1/2 Firebrick (1)
- 4 - G99 Long Grate Cast Iron (1)
- 5 - DD18 Ash Pan (1)
- 6 - DD31 Latch Catch (Welded) (2)
- 7 - DD19 Grate Locking Bar (1)
- 8 - G99 Short Grate Cast Iron (2)
- 9 - IW364 Power Cord (1)
- 10 - Variable Speed Control (1)
- 11 - 4C447 265 C.F.M. Blower (1)
- 12 - DD26 Back Brick Retainer (Welded) (1)
- 13 - DD16 Hot Air Chamber (Welded) (1)
- 14 - DD13 Side Brick Retainer (Welded) (1)
- 15 - DD11 Heat Tubes (Welded) (4)

OPTIONS

- DD26 Fireview Screen (Not Shown) (1)



- 1 - DD28 Smoke Baffle (1) Hangs Inside Door Opening
- 2 - HGR Right Loading Door (1)
- 3 - DD8 Wood Handle (2)
- 4 - SFS10 Cast Iron Spin Dials (2)
- 4A - DD15 Spin Dial Bolts & Nuts (2 ea.)
- 5 - DD6 Shaker Handle Clip (Welded) (1)
- 6 - DD5 Shaker Handle (1)
- 7 - DD1 Spring Handle (1)
- 8 - DD3 Legs (Welded) (4)
- 9 - DD1 Spring Handle (2)
- 10 - DD29 Ash Pan Latch (2)
- 11 - DD4 Dust Shelf (Welded) (1)
- 12 - DD7 Hinge Pins (4)
- 13 - HGL Left Loading Door (1)
- 14 - 6 1/4 x 8 3/8 Arched Top Tempered Glass (2)
- 15 - DD9 Air Deflector (1)
- 16 - DD10 Deflector Bolts (2)