

21 TRV Fireplace

Tested and Listed by



OMNI-Test Laboratories, Inc.
Portland, Oregon
Report # 028-F-85-5
ANSI Z21.88a-2007 / CSA 2.33a-2007

- **Built-In Direct Vent Fireplace**
- **Natural Gas or Propane**
- **Residential or Mobile Home**

WARNING: If the information in these instructions is not followed exactly, a fire or explosion may result causing property damage, personal injury or loss of life.

- Do not store or use gasoline or other flammable vapors and liquids in the vicinity of this or any other appliance.

WHAT TO DO IF YOU SMELL GAS

- Do not try to light any appliance.
- Do not touch any electrical switch; do not use any phone in your building.
- Immediately call gas supplier from a neighbor's phone. Follow the gas supplier's instructions.
- If you cannot reach your gas supplier, call the fire department.
- Installation and service must be performed by a qualified installer, service agency or the gas supplier.

This appliance may be installed in an aftermarket permanently located, manufactured home (USA only) or mobile home, where not prohibited by local codes.

This appliance is only for use with the type(s) of gas indicated on the rating plate. A conversion kit is supplied with the appliance.

Installation Manual

Installer: After installation give this manual to the homeowner and explain operation of this heater.

© Copyright 2008, T.I. \$10.00 100-01185_000 4080207



**TRAVIS INDUSTRIES
HOUSE OF FIRE**

4800 Harbour Pointe Blvd. SW
Mukilteo, WA 98275

Introduction

Overview..... 2
 Listing Details 2

Safety Precautions

Safety Precautions 4

Features and Specifications

Features 6
 Installation Options..... 6
 Heating Specifications..... 6
 Dimensions..... 6

Installation

Packing List..... 7
 Additional Items Required..... 7
 Installation Overview..... 8
 Recommended Installation Procedure..... 7
 11
 Converting the Fireplace to Rear Vent Configuration 11
 13
 Clearances..... 14
 Raised Fireplaces 14
 Min. Framing Dims. - Rear Vent Configuration..... 15
 Min. Framing Dims. - Top Vent Configuration..... 16
 Nailing Brackets 17
 Corner Installations - Top Vent Configuration..... 18
 Corner Installations - Rear Vent Configuration..... 18
 Gas Line Requirements..... 19
 Fuel..... 19
 Gas Line Connection 19
 Gas Inlet Pressure..... 19
 Gas Line Location..... 19
 Electrical Connection (required)..... 21
 Wall Switch or Thermostat Installation..... 22
 Wiring Diagram (Millivolt System)..... 22
 Installation 22
 Vent Requirements..... 23
 Vent Clearances..... 23
 Altitude Considerations..... 23
 Approved Vent 24
 Vent Installation 24
 Approved Vent Configurations..... 25
 Restrictor and Diffuser Position 25
 Exhaust Restrictor Adjustment..... 25
 Diffuser Plate Adjustment..... 26
 Top Vent Config. W Horizontal Termination..... 27
 Top Vent Config. W Vertical Termination 28
 Rear Vent Configuration with Horizontal Termination..... 29
 Rear Vent Configuration with Vertical Termination..... 30
 Termination Requirements 31

Installation (continued)

Hearth Requirements..... 32
 Facing Requirements..... 33
 Face Dimensions..... 33
 Facing Under 1" Thick..... 33
 Facing Over 1" Thick 33
 Facing – Fireplace Overview..... 34
 Facing Detail – Drywall Facing..... 35
 Facing Detail – Tile Facing..... 36
 Facing Detail – Facing Over 1" Thick (Brick)..... 37
 Mantel Requirements..... 38

Finalizing the Installation

Steps for Finalizing the Installation..... 39
 Starting the Pilot Flame..... 39
 Pilot Flame Inspection 39
 Air Shutter Adjustment..... 40
 Glass Frame Removal and Installation 41
 Log Set Installation..... 43

Finalizing the Installation

LP Conversion Instructions 46
 Aromatherapy Modification 49
 Omega Remote Notes..... 50

Index

Index 52

Safety Warnings:

- Failure to follow all of the requirements may result in property damage, bodily injury, or even death.
- This unit must be installed by a qualified installer to prevent the possibility of an explosion.
- This appliance must be installed in accordance with all local codes, if any; if not, in U.S.A. follow ANSI Z223.1 and NFPA 54(88).
- A manufactured home (USA only) or mobile home OEM installation must conform with the Manufactured Home Construction and Safety Standard, Title 24 CFR, Part 3280, or, when such a standard is not applicable, the Standard for Manufactured Home Installations, ANSI/NCSBCS A225.1, or Standard for Gas Equipped Recreational Vehicles and Mobile Housing, CSA Z240.4. This appliance may be installed in Manufactured Housing only after the home is site located.
- All exhaust gases must be vented outside the structure of the living-area. Combustion air is drawn from outside the living-area structure. The venting must not be connected to a chimney flue serving a separate solid-fuel burning appliance.
- Notify your insurance company before hooking up this fireplace.
- The room heater should be inspected before use and at least annually by a qualified service person. More frequent cleaning may be required due to excessive lint from carpeting, bedding material, etc.
- The instructions in this manual must be strictly adhered to. Do not use makeshift methods or compromise in the installation. Improper installation will void the warranty and safety listing.
- This heater is approved for use with natural gas (NG) or propane (LP). Burning the incorrect fuel will void the warranty and safety listing and may cause an extreme safety hazard. Direct questions about the type of fuel used to your dealer. Check the label and flame adjust knob on the gas control valve.
- Contact your local building officials to obtain a permit and information on any installation restrictions or inspection requirements in your area.
- If the flame becomes sooty, dark orange in color, or extremely tall, do not operate the heater. Call your dealer and arrange for proper servicing.
- It is imperative that control compartments, screens, or circulating air passageways of the heater be kept clean and free of obstructions. These areas provide the air necessary for safe operation.
- Do not operate the heater if it is not operating properly in any fashion or if you are uncertain. Call your dealer for a full explanation of your heater and what to expect.
- Do not store or use gasoline or other flammable liquids in the vicinity of this heater.
- Do not operate if any portion of the heater was submerged in water or if any corrosion occurs.
- Do not place clothing or other flammable items on or near the heater. Because this heater can be controlled by a thermostat there is a possibility of the heater turning on and igniting any items placed on or near it.
- Light the heater using the built-in piezo igniter. Do not use matches or any other external device to light your heater.
- Never remove, replace, modify or substitute any part of the heater unless instructions are given in this manual. All other work must be done by a trained technician. Don't modify or replace orifices.
- The viewing glass should be opened only for lighting the pilot or conducting service.
- Any safety screen or guard removed for servicing must be replaced prior to operating the heater.

Safety Warnings (continued):

- Allow the heater to cool before carrying out any maintenance or cleaning.
- Operate the heater according to the instructions included in this manual.
- If the main burners do not start correctly turn the gas off at the gas control valve and call your dealer for service.
- The pilot flame must contact the thermopile and thermocouple. If it does not, turn the gas control valve to "OFF" and call your dealer.
- This unit is not for use with solid fuel.
- Do not place anything inside the firebox (except the included fiber logs).
- If the fiber logs become damaged, replace with Travis Industries log set.
- Do not throw this manual away. This manual has important operating and maintenance instructions that you will need at a later time. Always follow the instructions in this manual.
- Do not touch the hot surfaces of the heater. Educate all children of the danger of a high-temperature heater. Young children should be supervised when they are in the same room as the heater.
- Due to the high temperature, the heater should be located out of traffic and away from furniture and draperies.
- Instruct everyone in the house how to shut gas off to the appliance and at the gas main shutoff valve. The gas main shutoff valve is usually next to the gas meter or propane tank and requires a wrench to shut off.
- **Travis Industries, Inc. grants no warranty, implied or stated, for the installation or maintenance of your heater, and assumes no responsibility of any consequential damage(s).**

Installation Options

- Residential or Mobile Home
- Straight or Corner Placement
- Flush or Recessed Face
- Raised or Floor Placement
- Internal or External Chase
- Horizontal or Vertical Vent
- Bedroom Approved

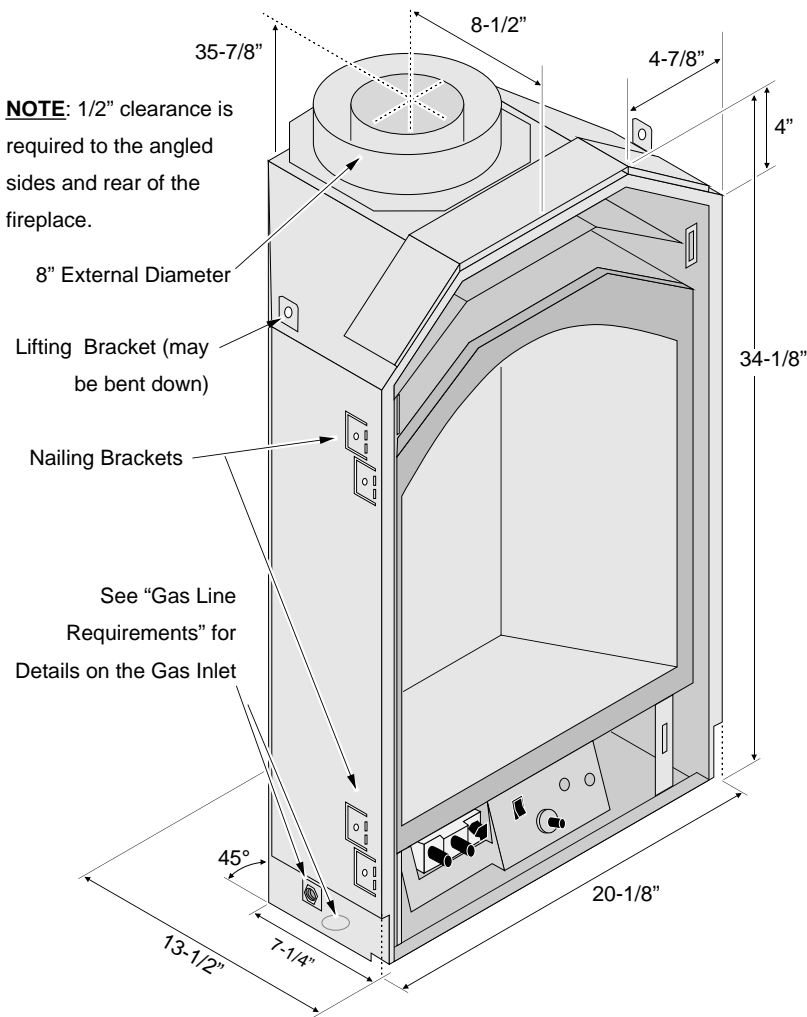
Heating Specifications

	Natural Gas	Propane
Approximate Heating Capacity (in square feet)*	Up to 650	Up to 650
Maximum BTU Input Per Hour	16,500	16,500

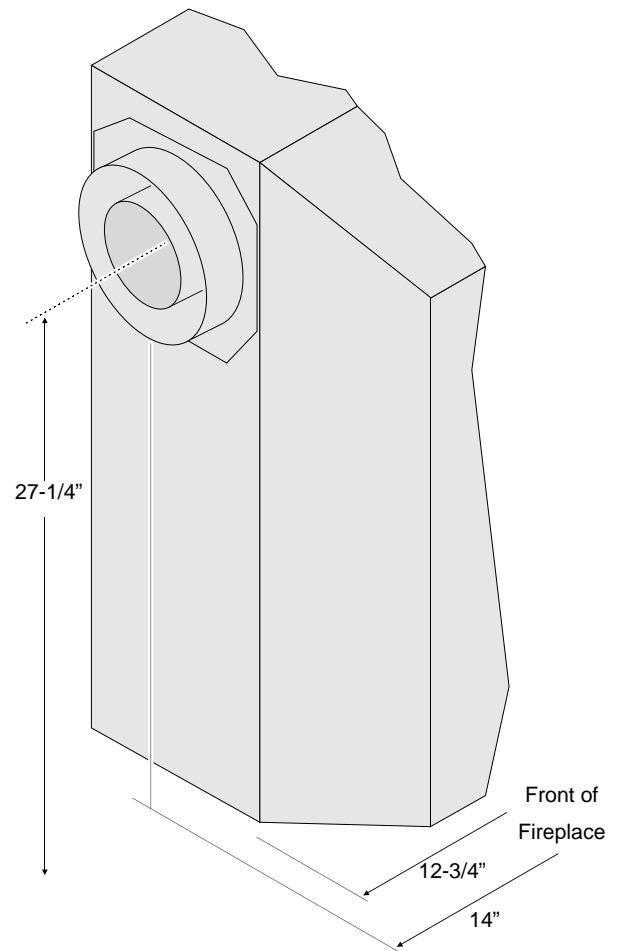
* Heating capacity will vary with floor plan, insulation, and outside temperature.

Dimensions

Top Vent Configuration



Rear Vent Configuration



Packing List

- Propane Conversion Kit
- Log Set
- Rear Vent Configuration Kit (insulation)
- Firestop

Additional Items Required

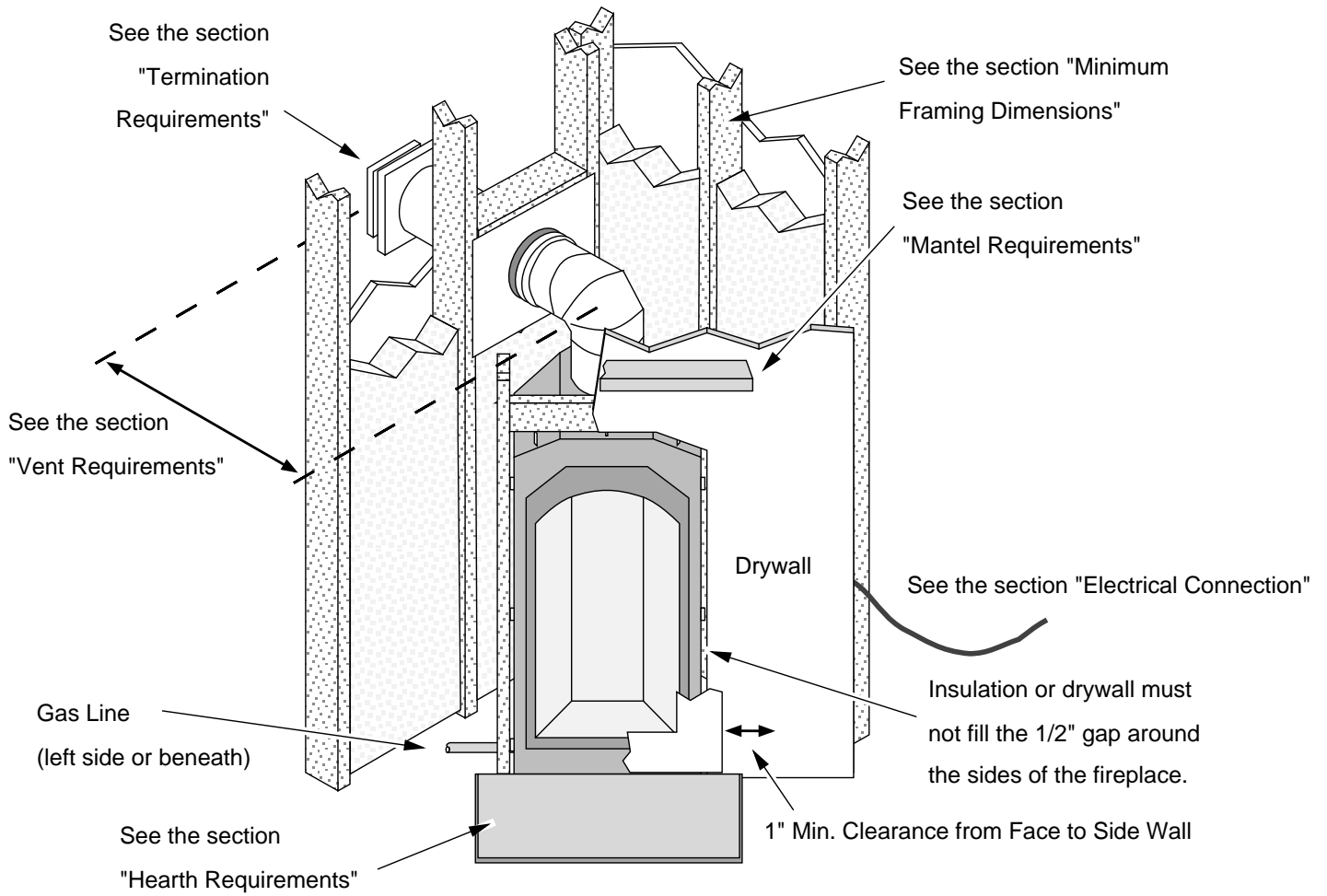
- Direct Vent
- Gas Line Equipment (shutoff valve, pipe, etc.)
- Electrical Equipment (min. 14 gauge, grounded line)
- Face

Recommended Installation Procedure

- 1 Install the optional equipment (do not install the logs) – we recommend the following order:
 - a) LP Conversion (if applicable) – NOTE: leave the burner removed until after the liner and accent light are installed (if applicable). If using the Omega remote, install the modulating regulator during LP conversion.
 - b) Liner (if applicable)
 - c) Accent Light (if applicable)
NOTE: Do not install the accent light wiring harness or rheostat if using the omega remote.
NOTE: Leave the control cover removed if using the blower
 - d) Blower
NOTE: Do not install the rheostat if using the omega remote.
 - e) Remote
- 2 Frame the opening for the fireplace. Make sure to allow for vent installation.
- 3 This fireplace is designed to accommodate 1/2" drywall or 1/2" drywall with 3/8" tile (see "Nailing Brackets" on page 17 for details). Secure the fireplace to the framing.
NOTE: If the facing is not 1/2" or 7/8" thick, follow the directions below:
Place a strip of facing material to both sides of the fireplace opening (NOTE: the strips will be removed after the fireplace is secured). The facing thickness must represent the total thickness of the finished facing (e.g.: If tile is to be used, include the thickness of the backboard, tile, and tile adhesive). Insert the fireplace into the framing. Slide it back until the front edge of the fireplace is flush with the facing material. Secure the fireplace using the plates located along the base of the fireplace.
- 4 Complete the gas line installation. Complete the electrical hook-up.
- 5 Complete the vent installation.
- 6 Install the hearth (if applicable).
- 7 Install the drywall and facing (if applicable).
- 8 Install the mantel (if applicable).
- 9 Finalize the installation (see page 39) and install the grill or face.

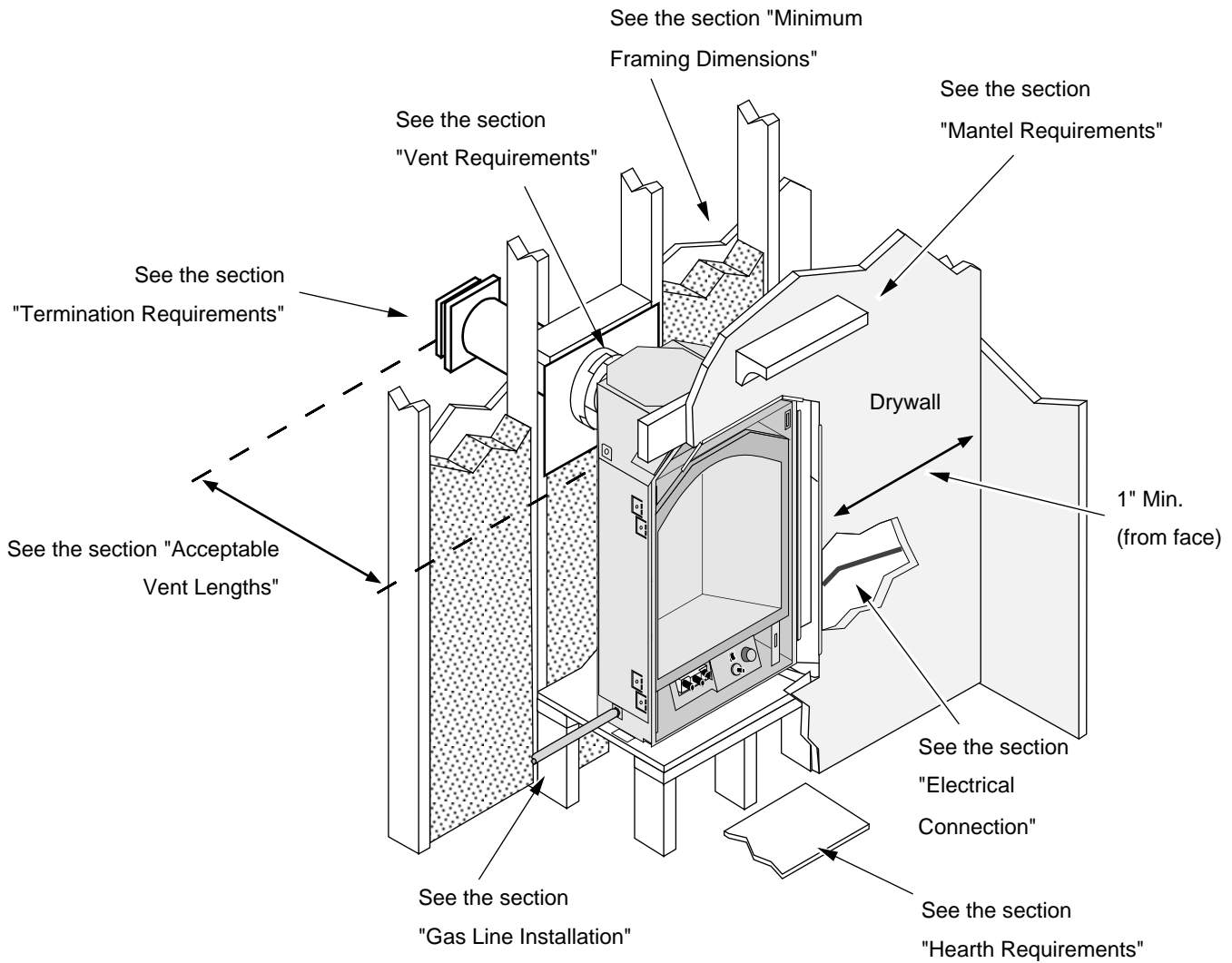
Installation Overview – Top Vent Configuration

- All requirements below must be met.



Installation Overview – Rear Vent Configuration

- All requirements below must be met.



Massachusetts Requirements

NOTE: The following requirements reference various Massachusetts and national codes not contained in this document.

Requirements for the Commonwealth of Massachusetts

For all side wall horizontally vented gas fueled equipment installed in every dwelling, building or structure used in whole or in part for residential purposes, including those owned or operated by the Commonwealth and where the side wall exhaust vent termination is less than seven (7) feet above finished grade in the area of the venting, including but not limited to decks and porches, the following requirements shall be satisfied:

Installation of Carbon Monoxide Detectors

At the time of installation of the side wall horizontal vented gas fueled equipment, the installing plumber or gasfitter shall observe that a hard wired carbon monoxide detector with an alarm and battery back-up is installed on the floor level where the gas equipment is to be installed. In addition, the installing plumber or gasfitter shall observe that a battery operated or hard wired carbon monoxide detector with an alarm is installed on each additional level of the dwelling, building or structure served by the side wall horizontal vented gas fueled equipment. It shall be the responsibility of the property owner to secure the services of qualified licensed professionals for the installation of hard wired carbon monoxide detectors.

In the event that the side wall horizontally vented gas fueled equipment is installed in a crawl space or an attic, the hard wired carbon monoxide detector with alarm and battery back-up may be installed on the next adjacent floor level.

In the event that the requirements of this subdivision can not be met at the time of completion of installation, the owner shall have a period of thirty (30) days to comply with the above requirements; provided, however, that during said thirty (30) day period, a battery operated carbon monoxide detector with an alarm shall be installed.

Approved Carbon Monoxide Detectors

Each carbon monoxide detector as required in accordance with the above provisions shall comply with NFPA 720 and be ANSI/UL 2034 listed and IAS certified.

Signage

A metal or plastic identification plate shall be permanently mounted to the exterior of the building at a minimum height of eight (8) feet above grade directly in line with the exhaust vent terminal for the horizontally vented gas fueled heating appliance or equipment. The sign shall read, in print size no less than one-half (1/2) inch in size, "GAS VENT DIRECTLY BELOW. KEEP CLEAR OF ALL OBSTRUCTIONS".

Inspection

The state or local gas inspector of the side wall horizontally vented gas fueled equipment shall not approve the installation unless, upon inspection, the inspector observes carbon monoxide detectors and signage installed in accordance with the provisions of 248 CMR 5.08(2)(a)1 through 4.

Exemptions

The following equipment is exempt from 248 CMR 5.08(2)(a)1 through 4:

- The equipment listed in Chapter 10 entitled "Equipment Not Required To Be Vented" in the most current edition of NFPA 54 as adopted by the Board; and
- Product Approved side wall horizontally vented gas fueled equipment installed in a room or structure separate from the dwelling, building or structure used in whole or in part for residential purposes.

MANUFACTURER REQUIREMENTS**Gas Equipment Venting System Provided**

When the manufacturer of Product Approved side wall horizontally vented gas equipment provides a venting system design or venting system components with the equipment, the instructions provided by the manufacturer for installation of the equipment and the venting system shall include:

- Detailed instructions for the installation of the venting system design or the venting system components; and
- A complete parts list for the venting system design or venting system.

Gas Equipment Venting System NOT Provided

When the manufacturer of a Product Approved side wall horizontally vented gas fueled equipment does not provide the parts for venting the flue gases, but identifies "special venting systems", the following requirements shall be satisfied by the manufacturer:

- The referenced "special venting system" instructions shall be included with the appliance or equipment installation instructions; and
- The "special venting systems" shall be Product Approved by the Board, and the instructions for that system shall include a parts list and detailed installation instructions.

A copy of all installation instructions for all Product Approved side wall horizontally vented gas fueled equipment, all venting instructions, all parts lists for venting instructions, and/or all venting design instructions shall remain with the appliance or equipment at the completion of the installation.

See Gas Connection section for additional Commonwealth of Massachusetts requirements.

Top Vent or Rear Vent Configuration

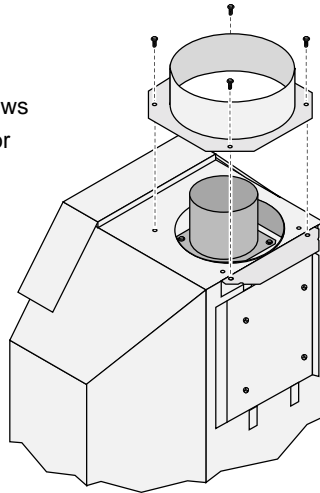
This appliance is shipped in the top vent configuration. To change to the rear vent configuration, follow the directions below.

NOTE: top or rear vent configuration affects several aspects of installation (framing, maximum vent rise, maximum vent run). Make sure the vent configuration is correct prior to installation.

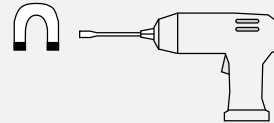
HINT: the diffuser is easiest to modify when converting the vent to rear-vent configuration. Refer to the vent configuration charts to determine if the vent diffuser requires adjustment to position # 2.

Converting the Fireplace to Rear Vent Configuration

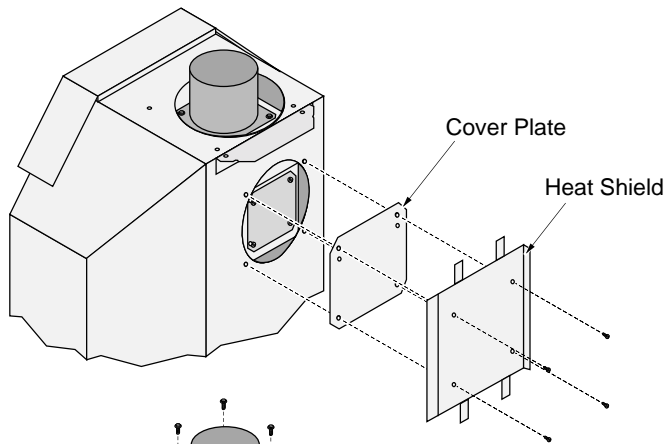
Remove the outer flue assembly. Place the screws and components aside (for all subsequent steps).



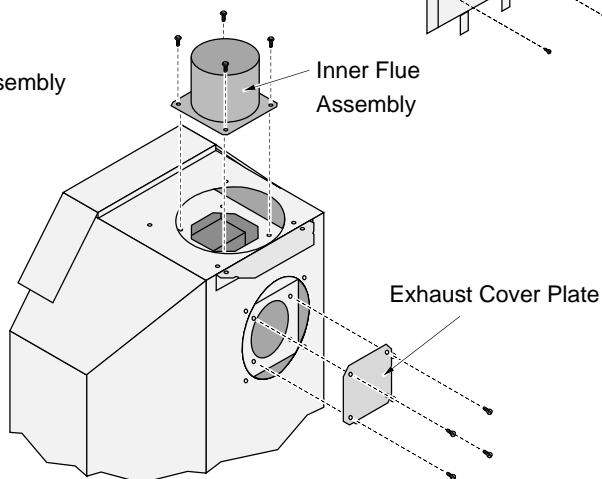
NOTE: Use a magnetic-tipped nutdriver on these screws - take care to prevent the screws from falling into the fireplace.



Remove the cover plate, and heat shield.

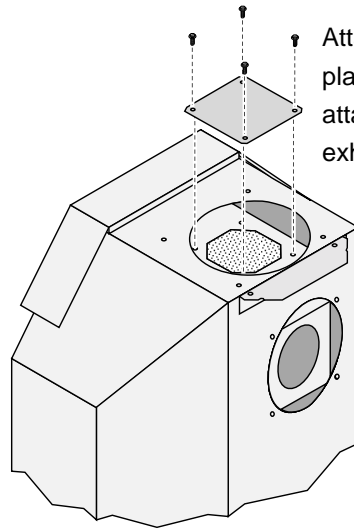
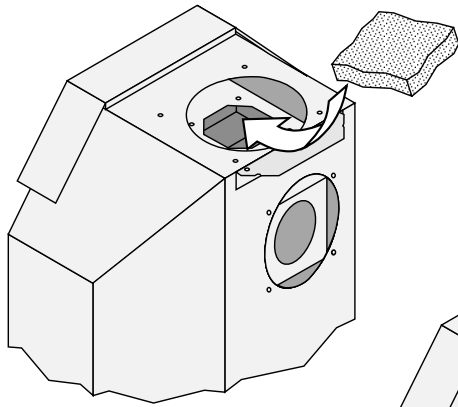


Remove the inner flue assembly and exhaust cover plate.

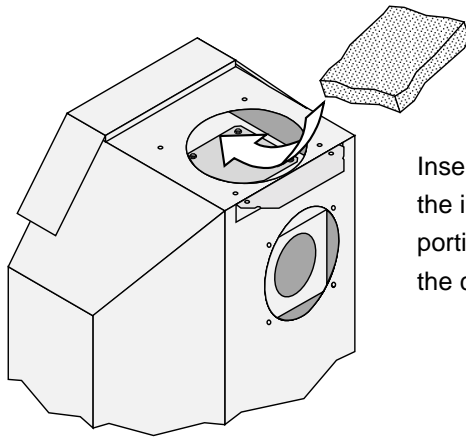


Converting the Fireplace to Rear Vent (continued)

Insert the small piece of insulation into the exhaust duct. Tuck it into the cavity so it lays flat.

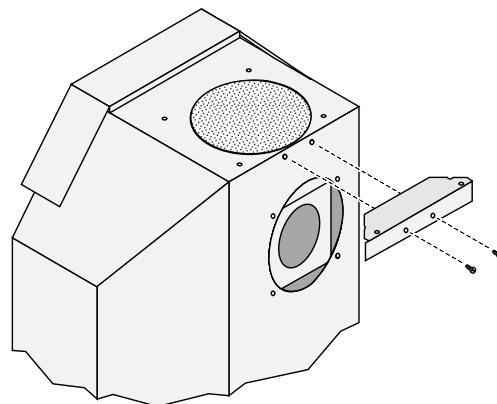
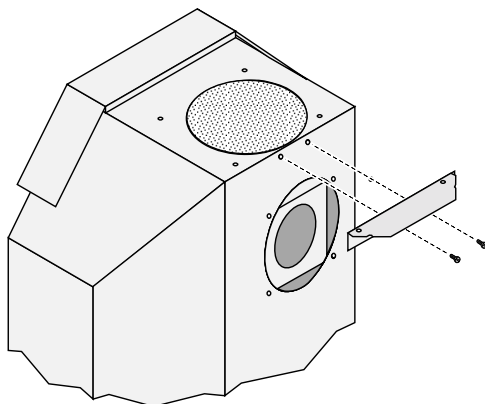


Attach the exhaust cover plate, making sure the attached gasket seals the exhaust duct.



Insert the large piece of insulation into the intake duct. Note how the wider portion goes to the sides. Tuck it into the cavity so it lays flat.

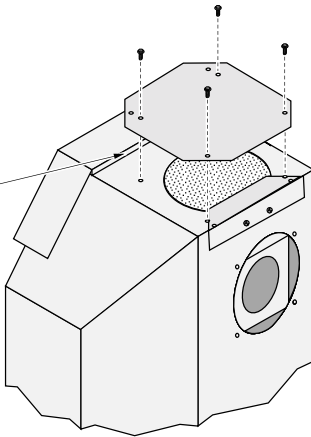
Remove the flue collar support, rotate it 180°, and re-attach it to the fireplace.



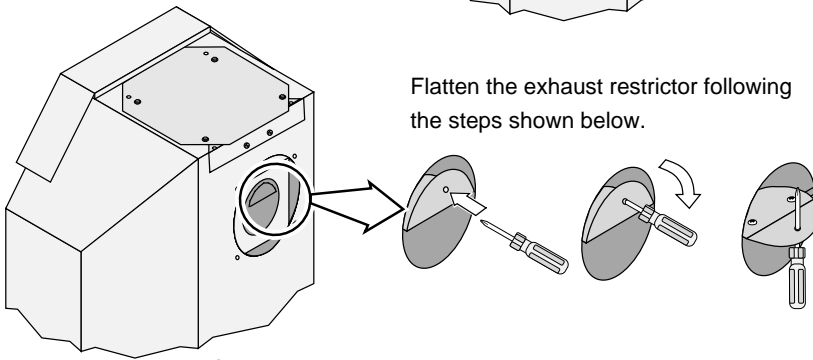
Converting the Fireplace to Rear Vent (continued)

Attach the cover plate to the top of the fireplace.

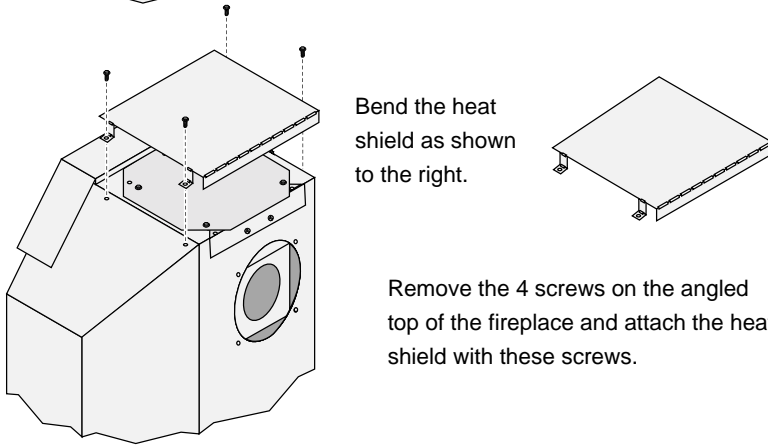
NOTE: You will need to tuck the front edge of the cover plate under the upper standoff.



Flatten the exhaust restrictor following the steps shown below.

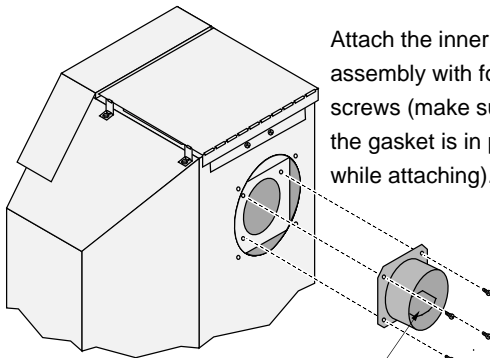


Bend the heat shield as shown to the right.



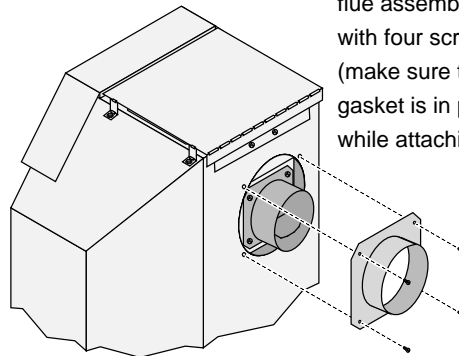
Remove the 4 screws on the angled top of the fireplace and attach the heat shield with these screws.

Attach the inner flue assembly with four screws (make sure the gasket is in place while attaching).



NOTE: Install the flue assembly with the diffuser to the bottom.

Attach the outer flue assembly with four screws (make sure the gasket is in place while attaching).



Fireplace Placement Requirements

- The fireplace requires a 1/2" clearance from the angled sides and back of the fireplace to the framing members. No material (insulation, framing, etc.) may be placed into this area. The stand-offs (and nailing brackets) may contact the framing members but no material may be placed into this area.
- Fireplace must be installed on a level surface capable of supporting the fireplace and vent.
- Fireplace must be placed directly on wood or non-combustible surface (not on linoleum or carpet).
- This heater may be placed in a bedroom.

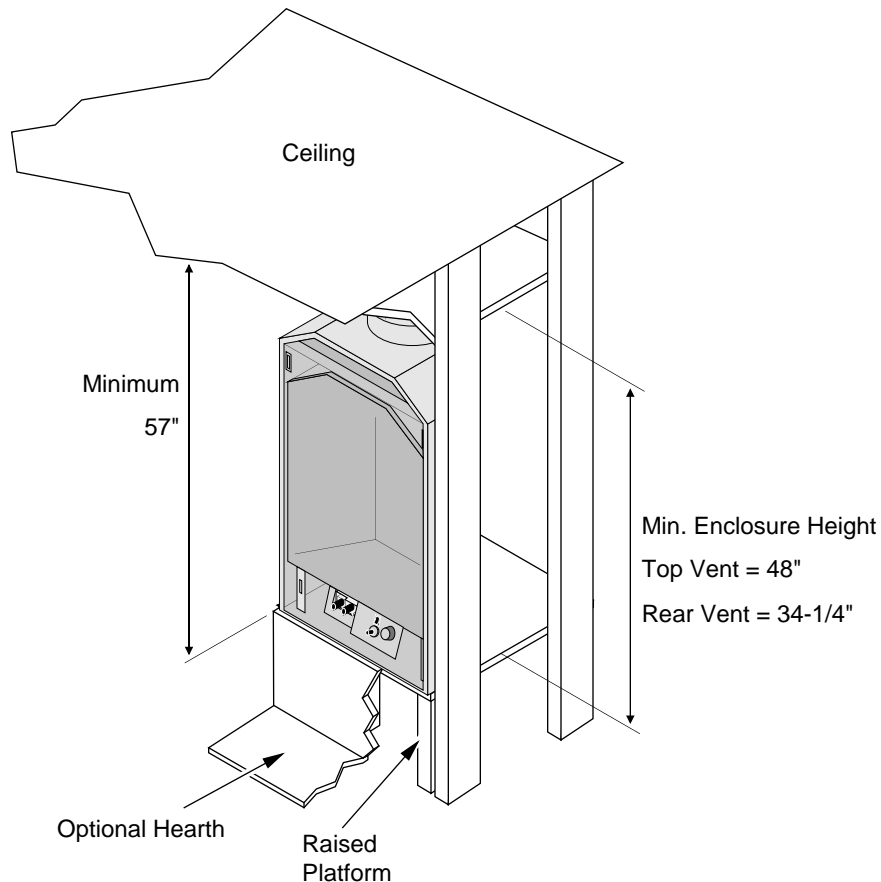
Clearances

- Walls in front of the fireplace must be a minimum 1" to the side of the face.
- Due to the high temperature, the heater should be located out of traffic and away from furniture and draperies.
- Fireplace must be placed so the vents below and above the glass do not become blocked.

Raised Fireplaces

NOTE: Looking Glass and Wilmington Faces require a raised fireplace - see "Dimensions" for details.

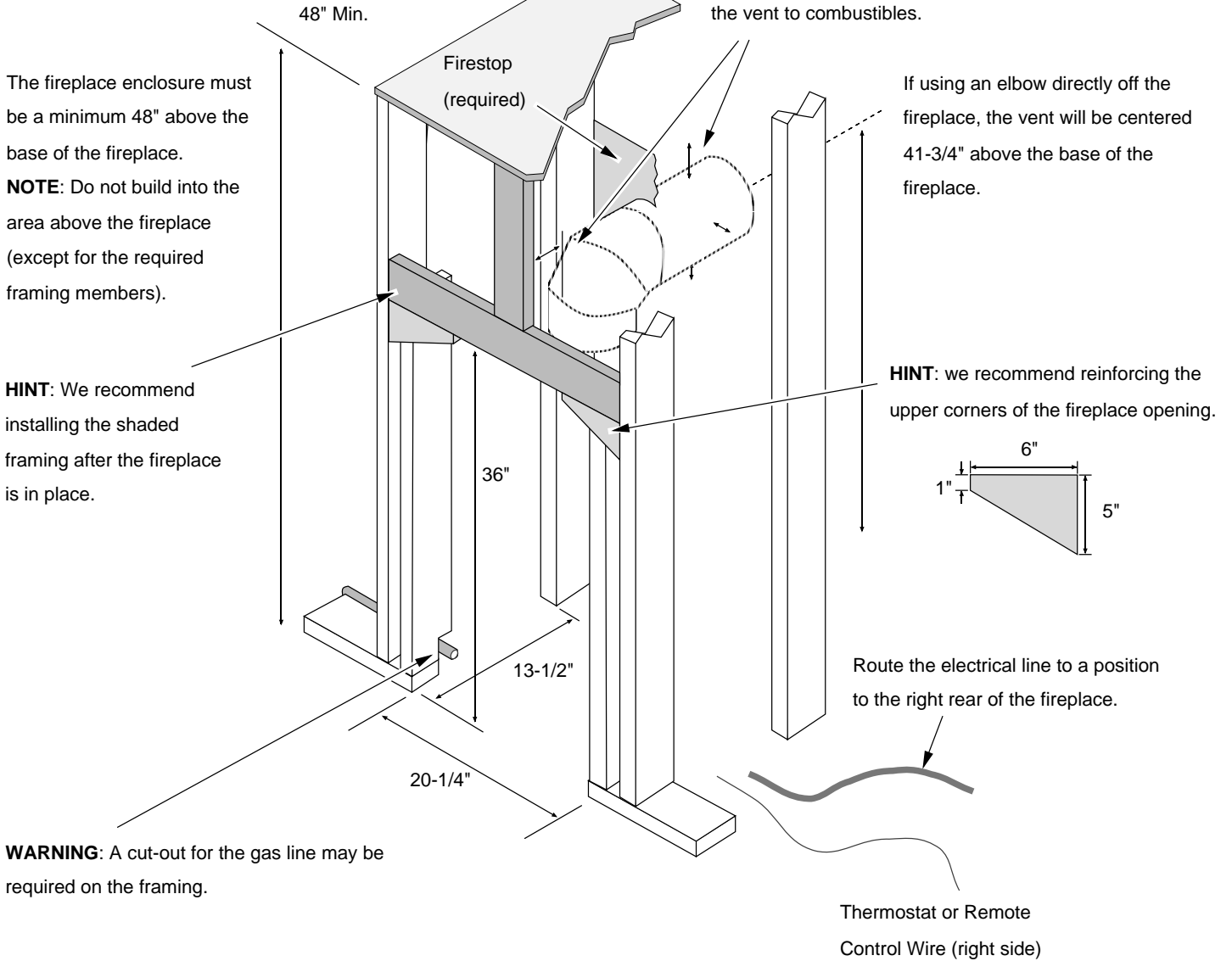
- The fireplace (and hearth, if desired) may be placed on a platform designed to support the fireplace (95 Lbs.) and vent.



Minimum Framing Dimensions - Top Vent Configuration

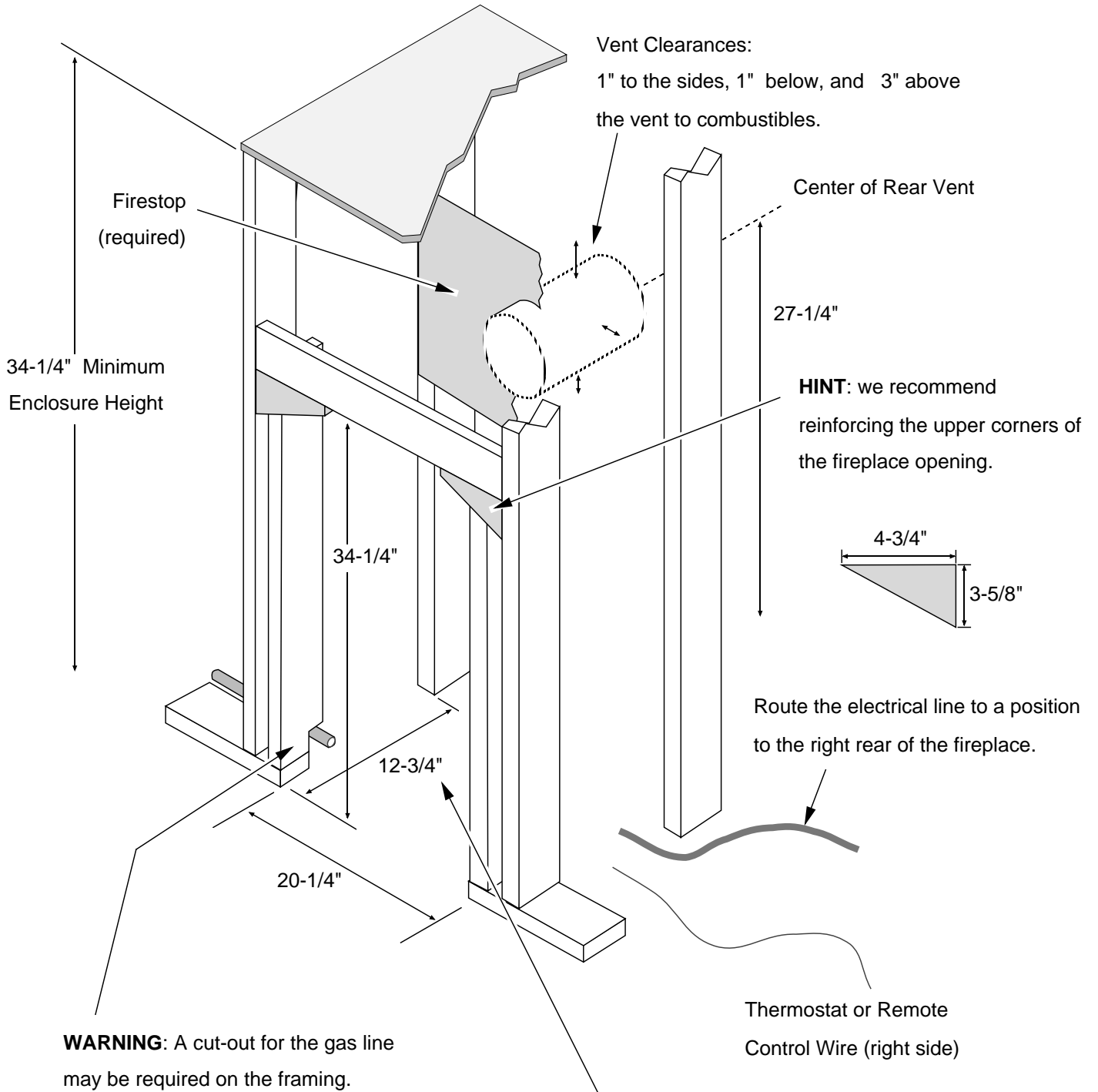
Vent Clearances:

1" to the sides, 1" below, and 3" above the vent to combustibles.



WARNING: A cut-out for the gas line may be required on the framing.

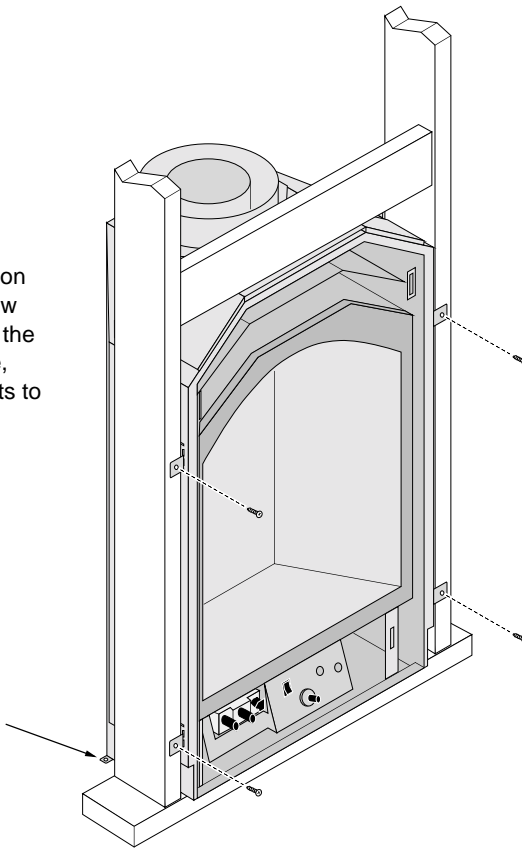
Minimum Framing Dimensions - Rear Vent Configuration



Nailing Brackets

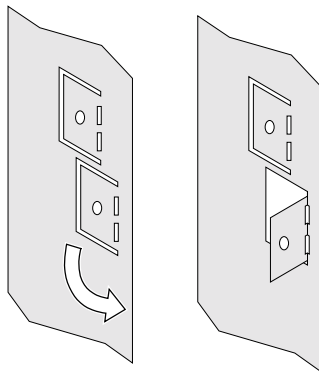
There are four nailing brackets on the sides of the fireplace. Follow the directions below to prepare the nailing brackets. Once in place, nail or screw the nailing brackets to the framing.

NOTE: There are alternative nailing brackets on the back corners of the fireplace if the front brackets can not be used.

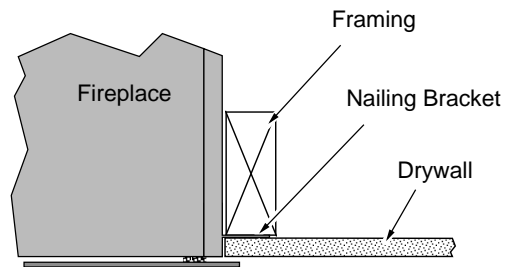


1/2" Facing

For installations using 1/2" facing (1/2" drywall or other facing) fold the lower tab out 90°.

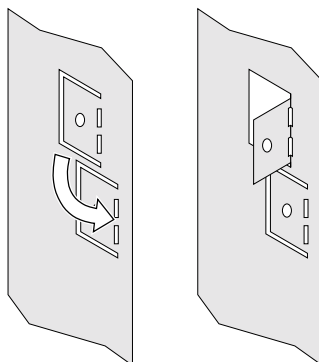


TOP VIEW

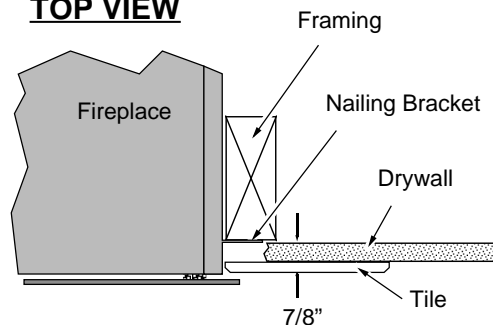


7/8" to 1" Facing

For installations using 1" facing (1/2" drywall with 3/8" tile, 7/8" tile, etc.) fold the upper tab out 90°.

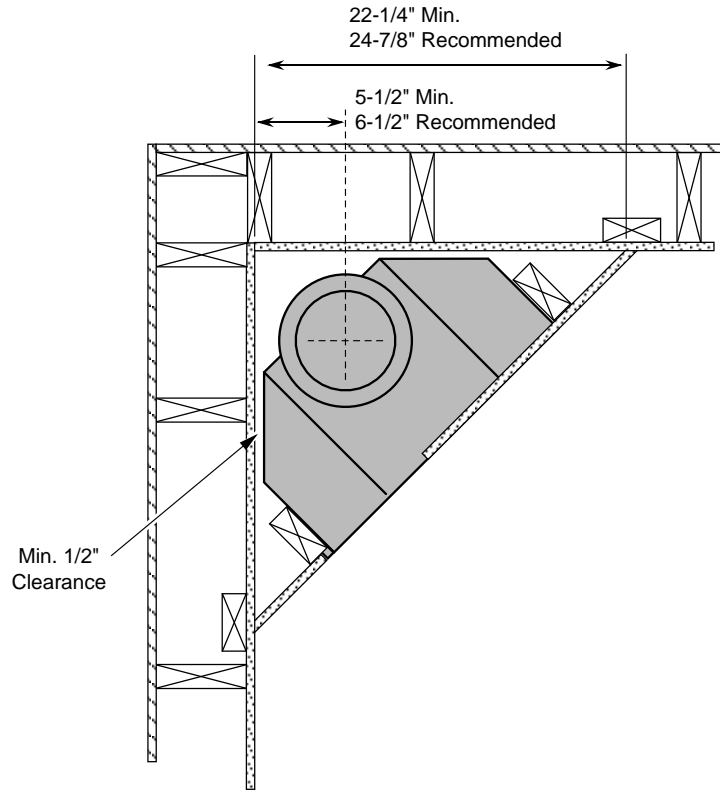


TOP VIEW



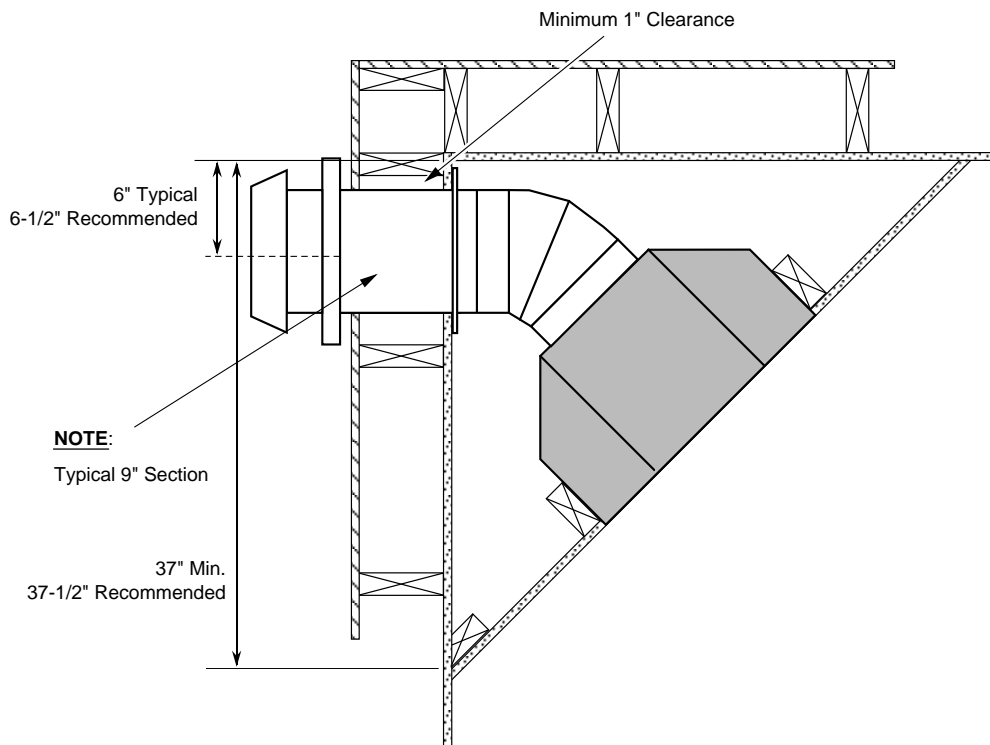
Corner Installations - Top Vent Configuration

Typical 45° installation uses the framing dimensions shown in the illustration below (NOTE: all clearances apply).



Corner Installations - Rear Vent Configuration

Typical 45° installation uses the framing dimensions shown in the illustration below (NOTE: all clearances apply).



Gas Line Requirements

MASSACHUSETTS INSTALLATIONS - **WARNING:**

THIS PRODUCT MUST BE INSTALLED BY A LICENSED PLUMBER OR GAS FITTER WHEN INSTALLED WITHIN THE COMMONWEALTH OF MASSACHUSETTS.

OTHER MASSACHUSETTS CODE REQUIREMENTS:

- Flexible connector must not be longer than 36 inches.
 - Shutoff valve must be a "T" handle gas cock.
 - Only direct vent sealed combustion products are approved for bedrooms or bathrooms.
 - Fireplace dampers must be removed or welded in the open position prior to the installation of a fireplace insert or gas log.
 - A carbon monoxide (CO) detector is required in the same room as the appliance.
- The gas line must be installed in accordance with all local codes, if any; if not, follow ANSI 223.1 and the requirements listed below.
 - The fireplace and gas control valve must be disconnected from the gas supply piping during any pressure testing of that system at test pressures in excess of 1/2 psig. For pressures under 1/2 psig, isolate the gas supply piping by closing the manual shutoff valve.
 - Leak test all gas line joints and the gas control valve prior to and after starting the fireplace.

Fuel

- This fireplace is designed either for natural gas or for propane (but not for both). Check the sticker on the top of the gas control valve to make sure the correct fuel is used.

Gas Line Connection

- Installation must be performed by a qualified installer, service agency or the gas supplier (In Massachusetts a licensed plumber/gasfitter).

Gas Inlet Pressure

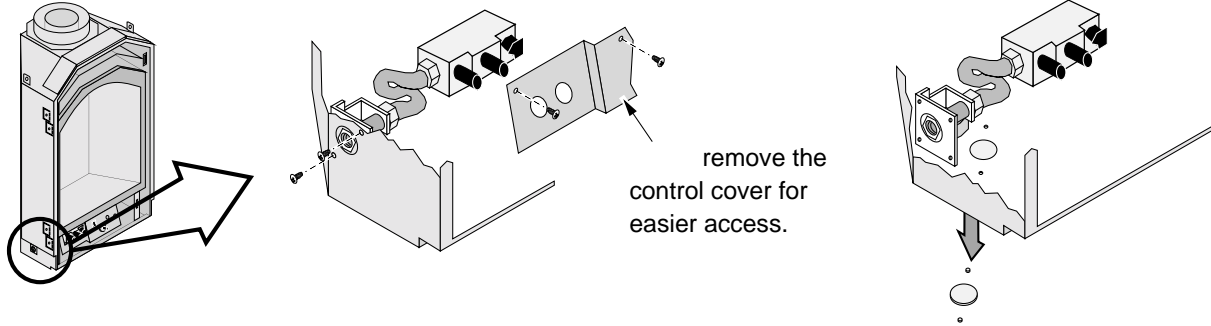
	Standard Input Pressure
Natural Gas	7" W.C. (1.74 kPA)
Propane	13" W.C. (2.73 kPA)

- If the pressure is not sufficient, make sure the piping used is large enough, the supply regulator is adequately adjusted, and the total gas load for the residence does not exceed the amount supplied.
- The supply regulator (the regulator that attaches directly to the residence inlet or to the propane tank) should supply gas at the suggested input pressure listed above. Contact the local gas supplier if the regulator is at an improper pressure.

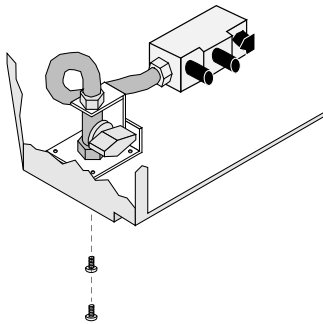
Optional Gas Line Location

a Remove the two screws near the gas inlet (save these screws).

b Remove the three knock-outs on the bottom of the fireplace (one large, two small).

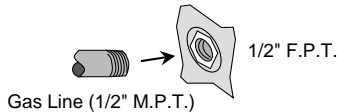
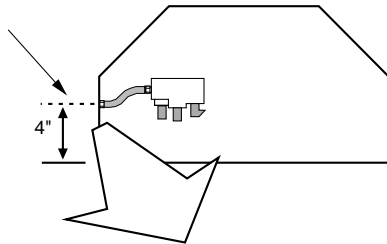


c Secure the gas inlet assembly using the screws removed in step "a".

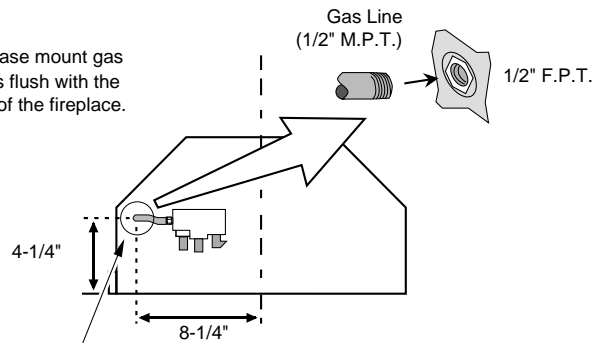


Gas Line Location

The left side gas inlet is located 2-3/4" above the base of the fireplace.



The base mount gas inlet is flush with the base of the fireplace.



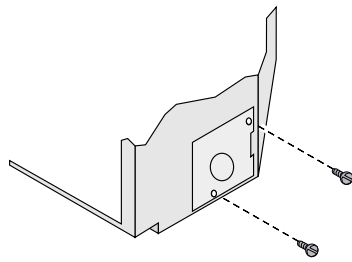
NOTE: a 3" diameter hole is required to provide clearance for the gas inlet screws.

Electrical Connection (required)

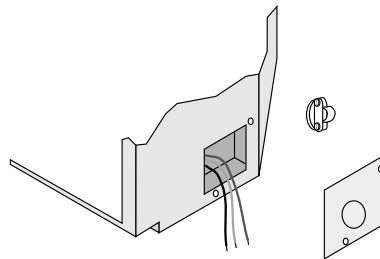
- The electrical line to the grounded input wires inside the fireplace must be installed by a qualified installer and must meet all local codes.
- Make sure the household breaker is shut off prior to working on any electrical lines.
- The appliance, when installed, must be electrically grounded in accordance with local codes or, in the absence of local codes, with the National Electrical Code, ANSI/NFPA 70, or the Canadian Electrical Code, CSA C22.1.
- The electrical line must be a min. 14 gauge, and supply 120 Volts at 60 Hz (2 Amps)

Caution: Label all wires prior to disconnection when servicing controls. Wiring errors can cause improper and dangerous operation.

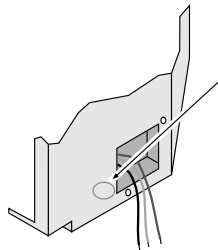
a Remove the cover from the fireplace junction box.



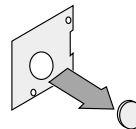
b The three connection wires and a romex clamp are inside the junction box.



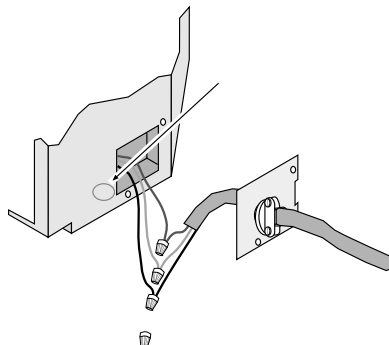
c Remove the knock-out from the cover plate.



NOTE: An alternative knock-out is provided in the base of the fireplace if you wish to run the electrical line from below.



d Secure the romex connector to the cover plate. Route the electrical line through the cover plate and attach to the three electrical leads. Replace the cover plate.



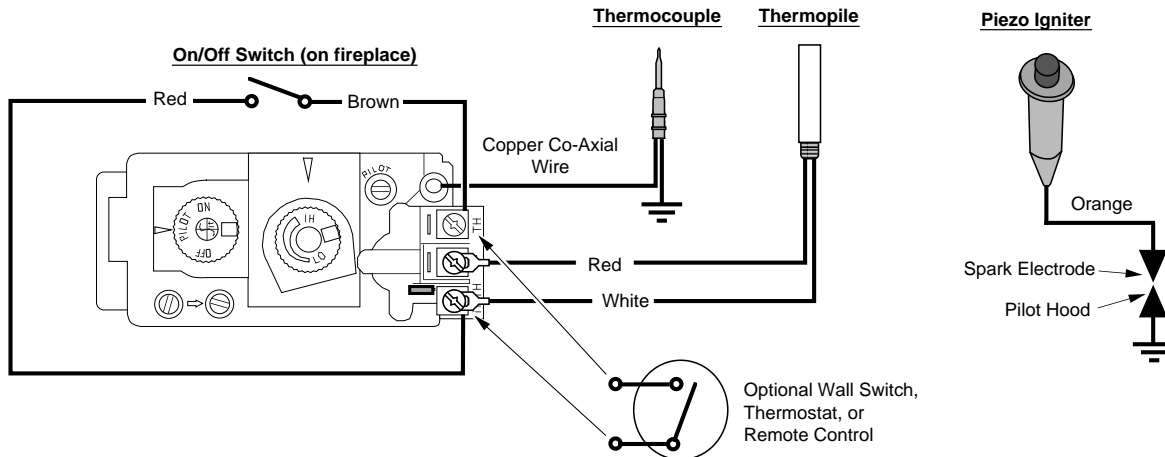
Wall Switch or Thermostat Installation

Wiring Diagram (Millivolt System)



Do not connect 110-120 VAC to the gas control valve or wiring system of this fireplace. The switch must be installed by a qualified installer.

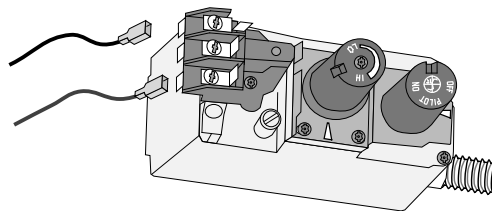
Caution: Label all wires prior to disconnection when servicing controls. Wiring errors can cause improper and dangerous operation.



Installation

1. Attach the included wire to the gas control valve.

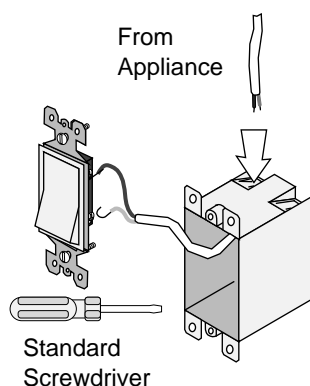
Attach the two wires to the top and bottom posts on the gas control valve (orientation does not matter).



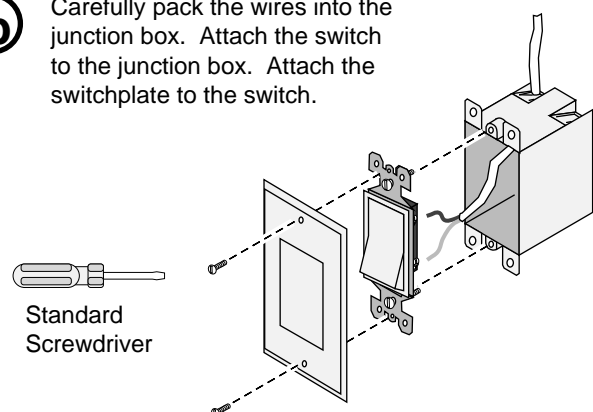
2. Determine a location for the wall switch or thermostat (maximum 25' long). Route the wire through the grommet on the right side of the fireplace (next to the electrical junction box).
3. If using a thermostat, attach it following the manufacturer's instructions. If using a wall switch, attach following the directions below.

NOTE: Set the on/off switch on the appliance to "OFF" to control the appliance with the wall switch or thermostat.

- (a)** Insert the wire through the back of the mounted junction box (your junction box may look different). Expose 1/2" of each wire. Secure the wires to the posts on the side of the on/off switch (orientation does not matter).



- (b)** Carefully pack the wires into the junction box. Attach the switch to the junction box. Attach the switchplate to the switch.



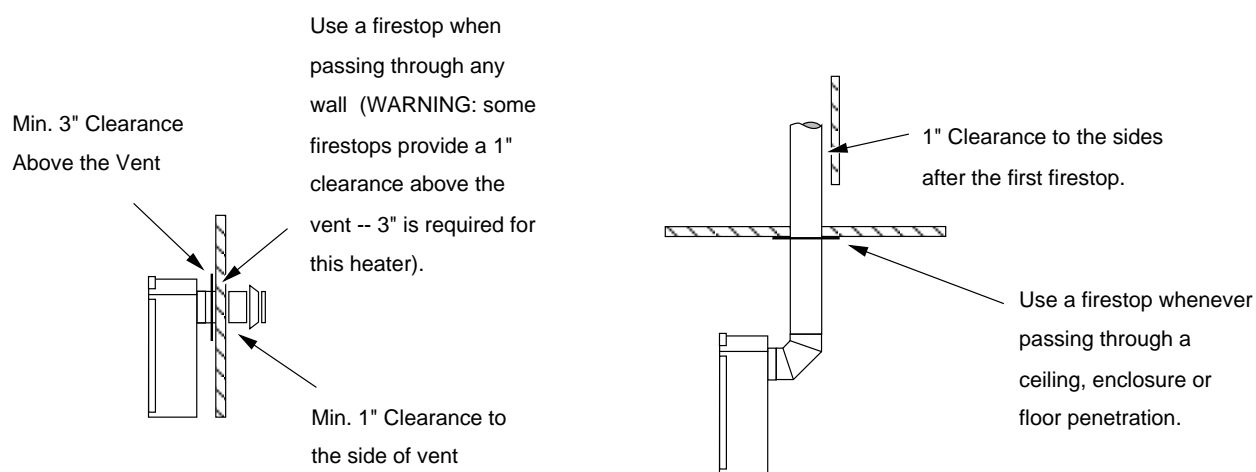
Vent Requirements

- The gas appliance and vent system must be vented directly to the outside of the building, and never be attached to a chimney serving a separate solid fuel or gas-burning appliance. Each direct vent gas appliance must use its own separate vent system.
- In addition to the requirements listed here, follow the requirements provided with the vent.
- A firestop is required whenever the vent penetrates a wall, floor, or ceiling (passes through framing members). Use the included firestop. It incorporates a 3" clearance above, 1" clearance below and to the sides of the vent.
- Always use the high-wind termination.

Vent Clearances

- The vent must maintain the required clearance to combustibles to prevent a fire. Do not fill air spaces with insulation.

Sides	1"
Above	3"
Below Horizontal or 45° Section	1"

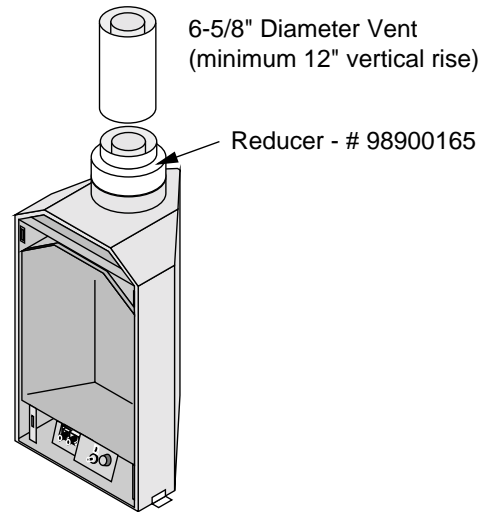


Altitude Considerations

- This heater has been tested at altitudes ranging from sea level to 6,000 feet. In this testing we have found that the heater, with its standard orifice, burns correctly with just an air shutter adjustment.
- Failure to adjust the air shutter properly may lead to improper combustion which can create a safety hazard. Consult your dealer or installer if you suspect an improperly adjusted air shutter.

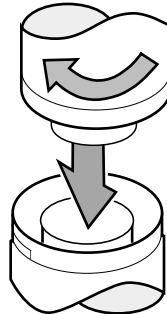
Approved Vent

- Rear vent configurations use 8" diameter Simpson Dura-Vent Model GS or Pro vent.
- Top vent configurations use 8" or 6-5/8" diameter Simpson Dura-Vent Model GS or Pro vent. If using 6-5/8" diameter vent, attach the 8" to 6-5/8" reducer (Travis part # 98900165) directly to the fireplace (see the illustration below).
- Installation instructions for Simpson Dura-Vent may be found at www.duravent.com



Vent Installation

- Slide the vent sections together and turn 1/4 turn until the sections lock in place.



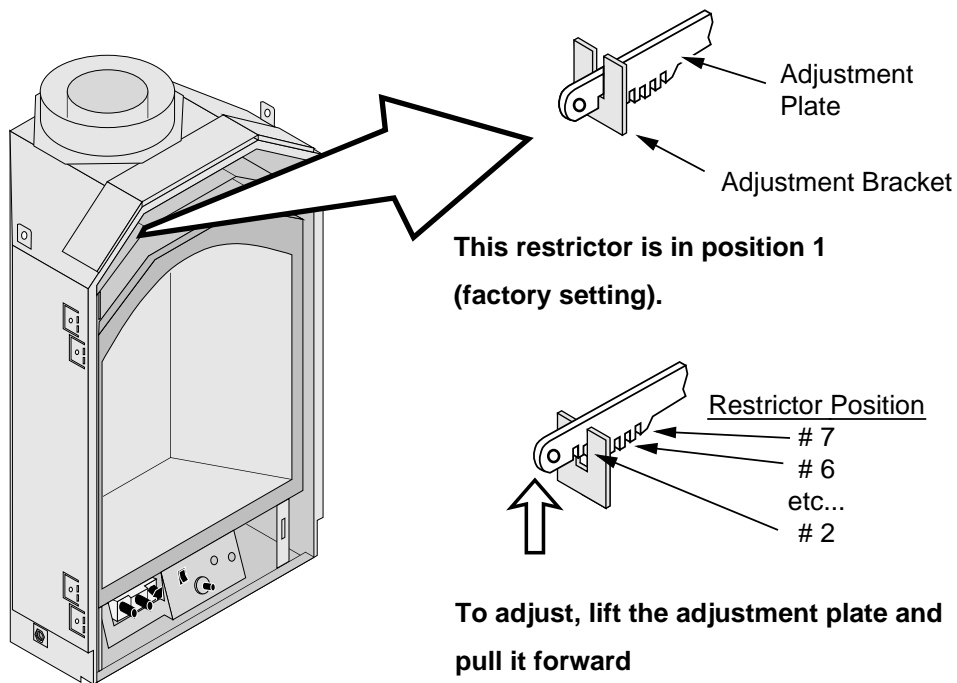
- Screws are not required to secure the vent. However, three screws may be used to secure vent sections together if desired.
- High temperature sealant is recommended at the appliance starter section connection (use high-temperature silicone or Mill-Pac®).
- If disassembly is required, at time of re-assembly check to see if the vent creates a tight fit. If it does not, apply high temperature sealant to the joints of the affected sections.
- Horizontal sections require a 1/4" rise every 12" of travel
- Horizontal sections require non-combustible support every three feet (e.g.: plumbing tape)

Approved Vent Configurations

Restrictor and Diffuser Position

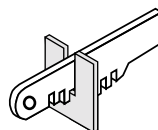
- An exhaust restrictor and diffuser are built into the appliance to adjust the flow rate of intake air and exhaust gases. Depending upon the vent configuration, you may be required to adjust the restrictor and/or diffuser. The charts for acceptable vent configurations detail the correct vent restrictor and diffuser positions.

Exhaust Restrictor Adjustment



To Access the Restrictor:

Remove the face (with the stove cool).



This restrictor is in position 3.

To Adjust the Restrictor:

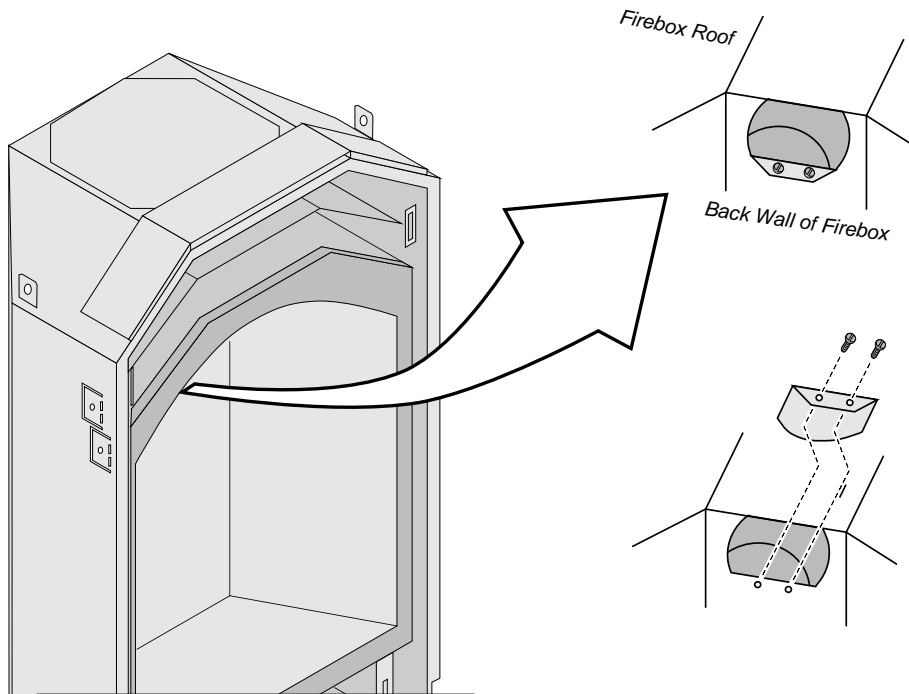
- Determine the correct restrictor position (see the charts under "Approved Vent Configurations" - the factory position is #1).
- Lift up the adjustment plate and move it so the correct notch falls into the slot on the adjustment bracket.

Diffuser Plate Adjustment

Certain vent configurations require the diffuser plate to be adjusted (refer to the approved vent configuration charts for details). Position # 1 is stock (flat). Position # 2 is bent. See the directions below to change the diffuser to position #2.



If the diffuser is required to be in position # 2, you may wish to adjust the diffuser while converting the appliance to rear-vent configuration.

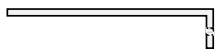


NOTE: To better access the diffuser, you may wish to move the restrictor to the # 1 position.

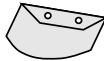
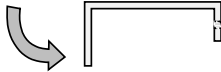
Remove the diffuser.

DIFFUSER SIDE VIEW

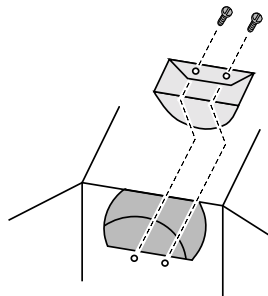
Before (Stock - Position # 1)



After (Position # 2)



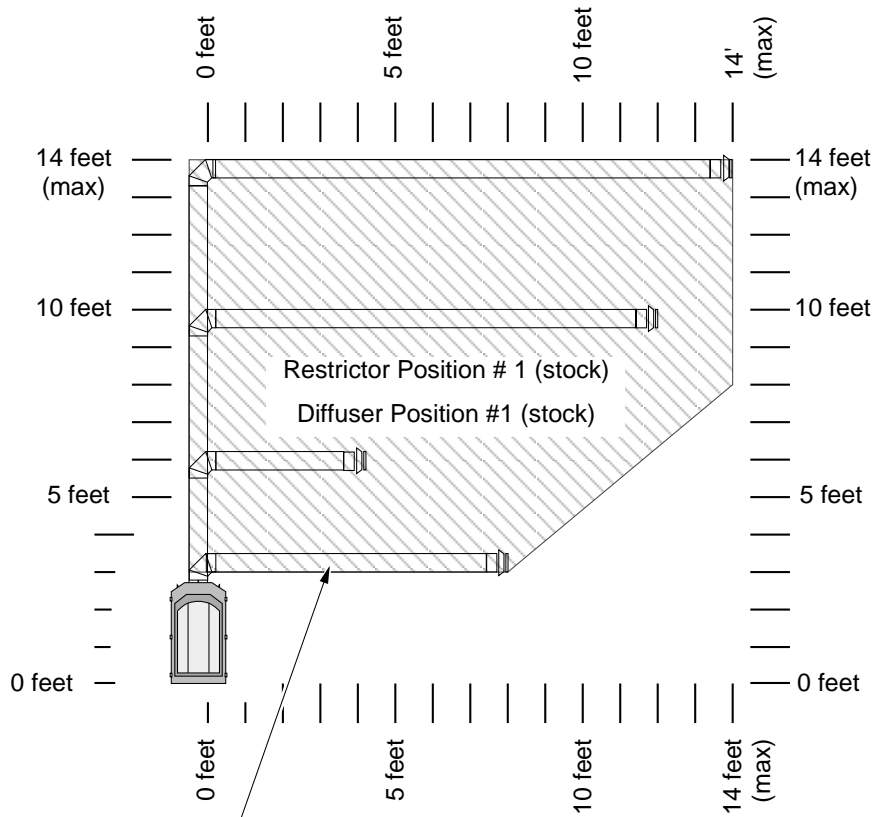
Bend the round portion of the diffuser 90° (position # 1).



Secure the diffuser plate with the screws removed earlier.

Top Vent Configuration with Horizontal Termination

- The termination must fall within the shaded area shown in the chart. Use the indicated restrictor and diffuser positions.
- Only one horizontal elbow may be used (see illustration at the bottom of the page).
- May use 8" or 6-5/8" diameter vent (see page for 24 details).



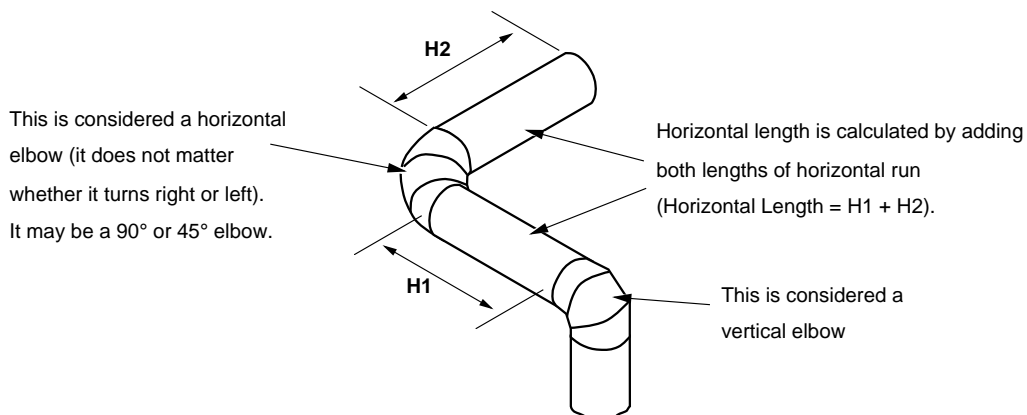
NOTE:

If using 6-5/8" diameter vent, a minimum 12" vertical rise is required.

NOTE:

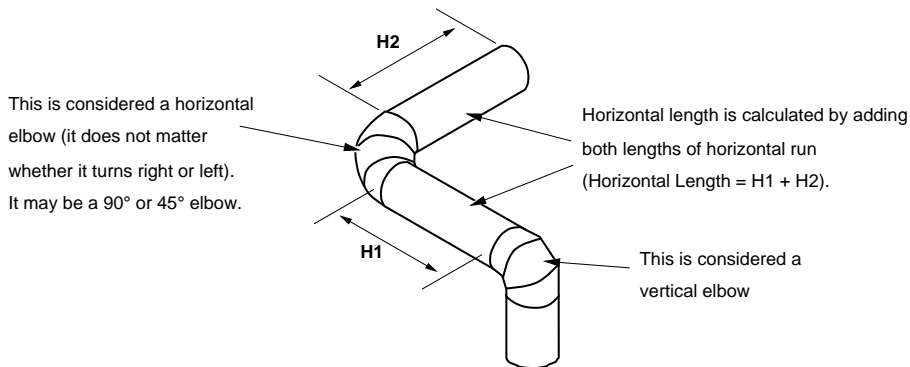
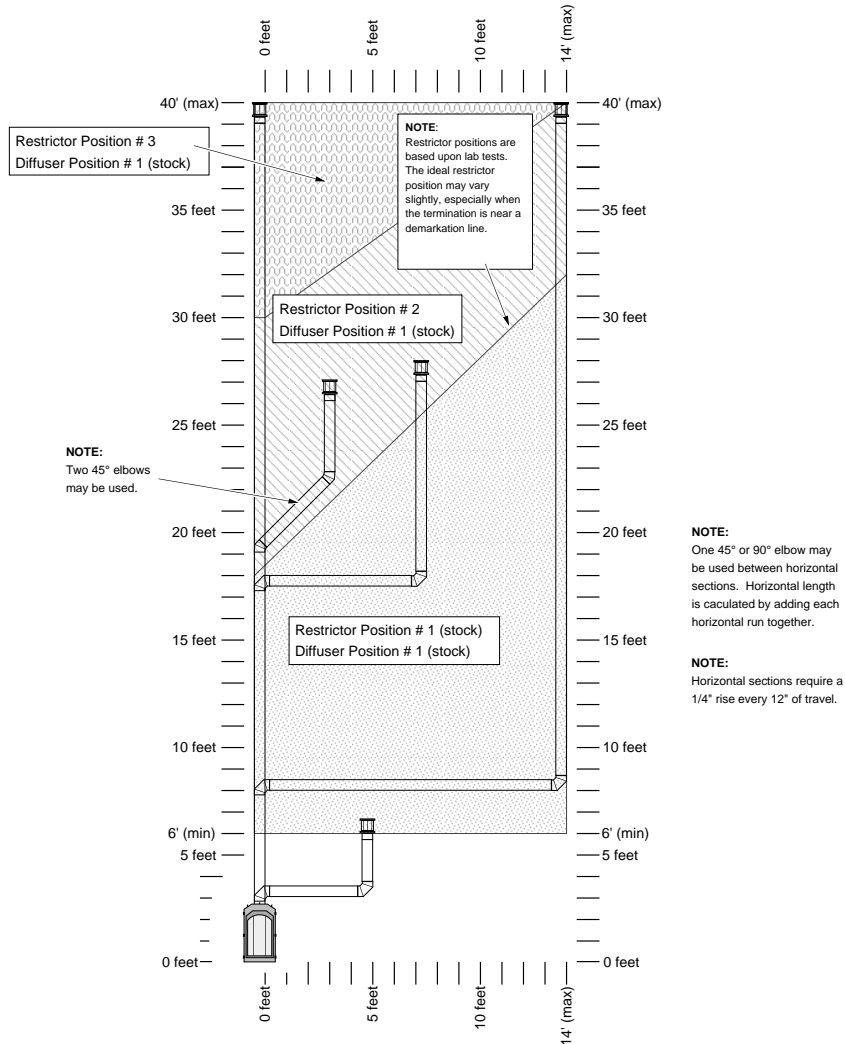
Horizontal sections require a 1/4" rise every 12" of travel.

NOTE:



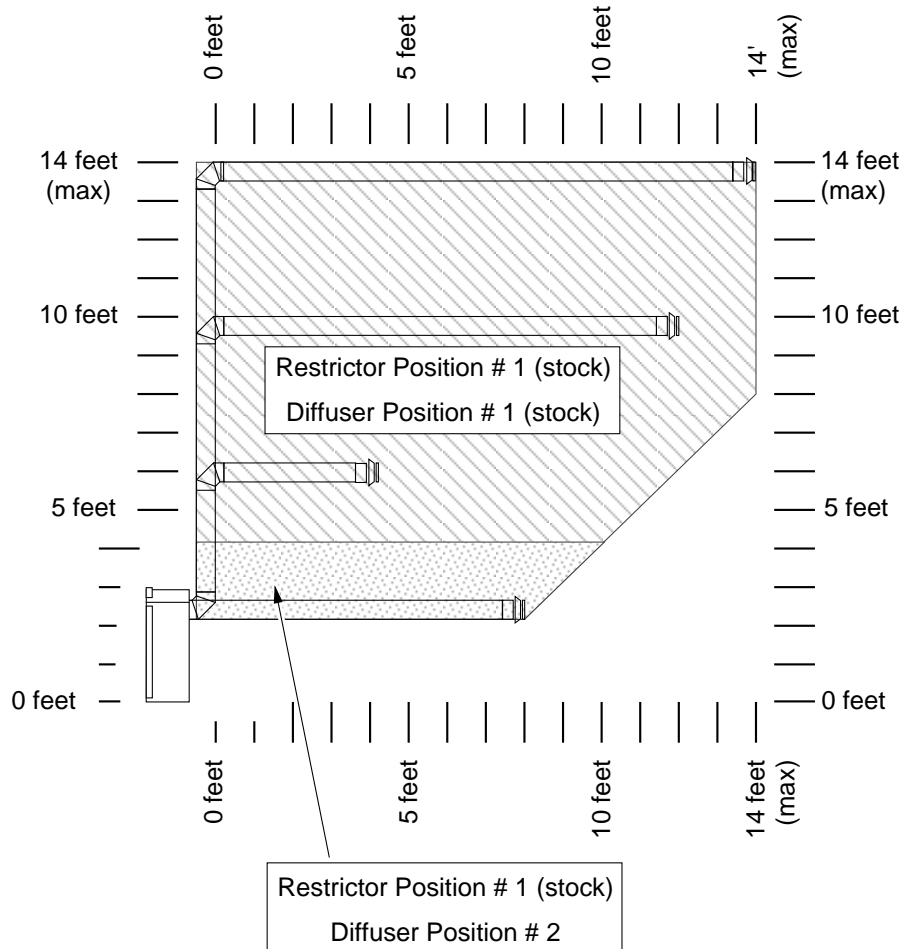
Top Vent Configuration with Vertical Termination

- The termination must fall within the shaded area shown in the chart. Use the indicated restrictor and diffuser positions.
- Up to four elbows (45° or 90°) may be used.
- Only one horizontal elbow may be used (see illustration at the bottom of the page).
- May use 8" or 6-5/8" diameter vent (see page for 24 details).



Rear Vent Configuration with Horizontal Termination

- The termination must fall within the shaded area shown in the chart. Use the indicated restrictor and diffuser positions.
- Up to four elbows (45° or 90°) may be used.
- Only one horizontal elbow may be used (see illustration at the bottom of the page).
- Use 8" diameter vent.

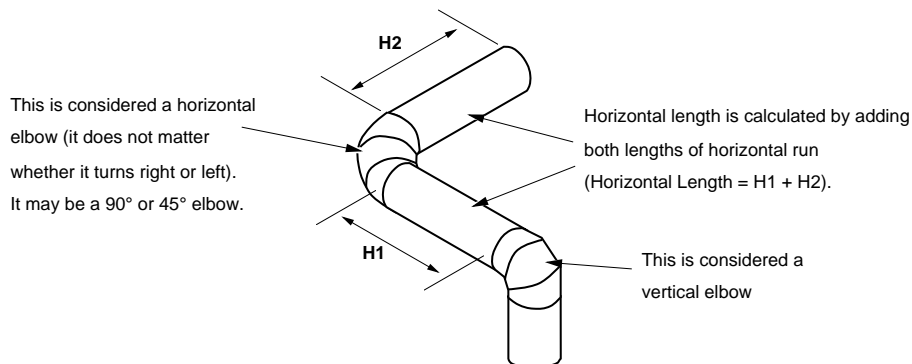


NOTE:

Restrictor positions are based upon lab tests.
The ideal restrictor position may vary slightly.

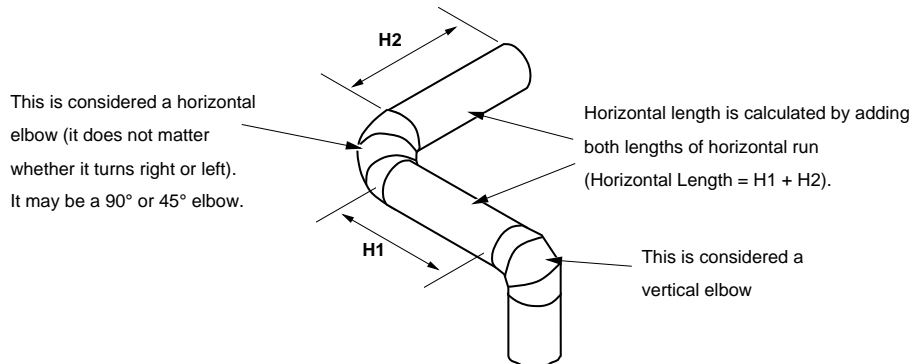
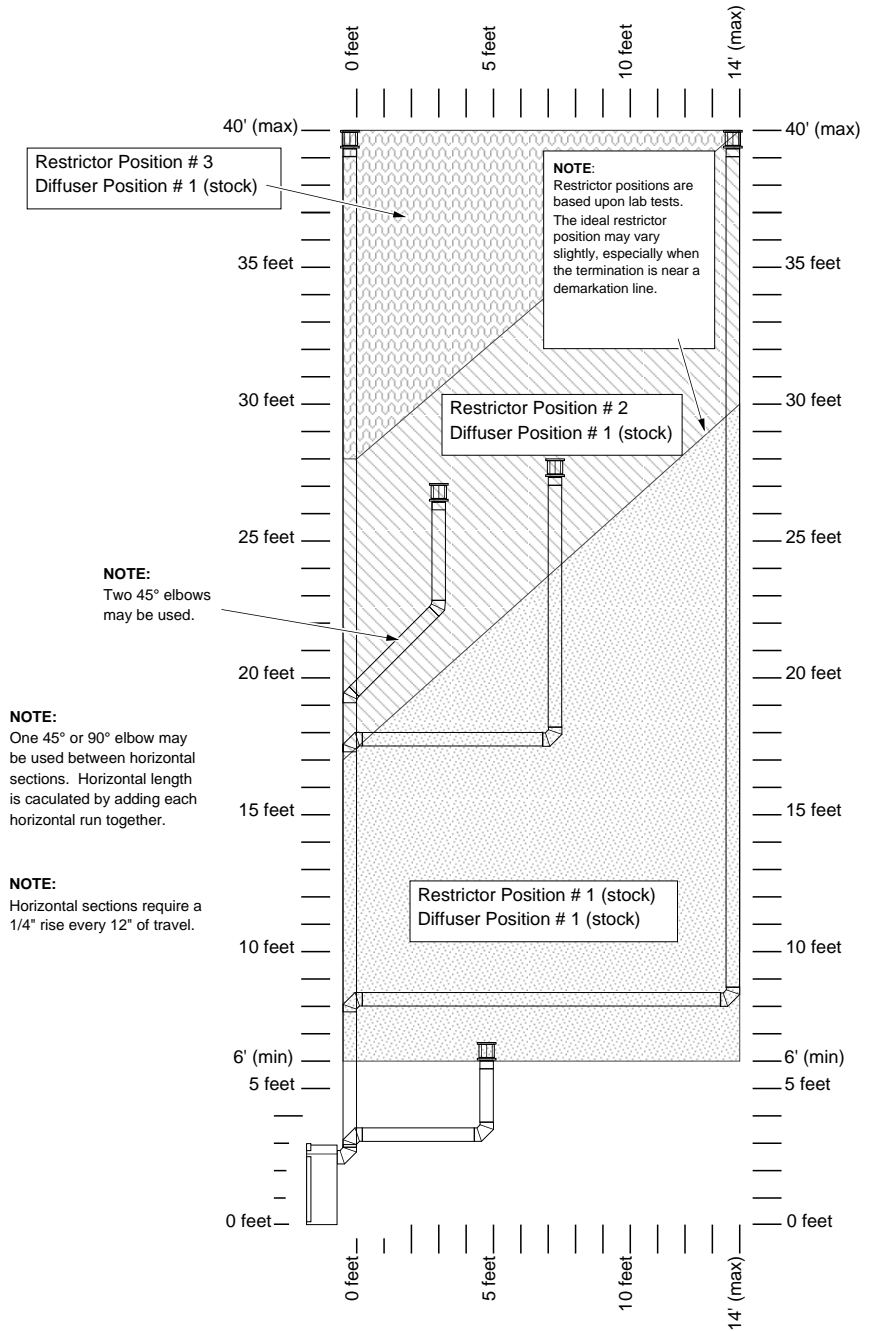
NOTE:

Horizontal sections require a 1/4" rise every 12" of travel.



Rear Vent Configuration with Vertical Termination

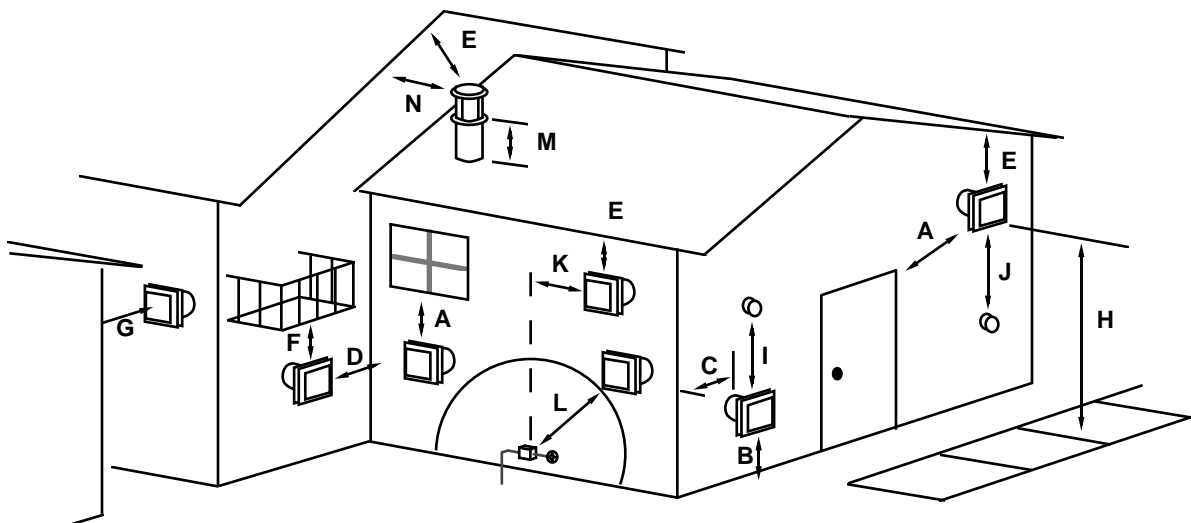
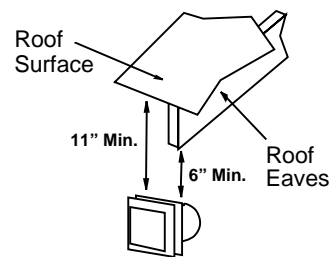
- The termination must fall within the shaded area shown in the chart. Use the indicated restrictor and diffuser positions.
- Up to four elbows (45° or 90°) may be used.
- Only one horizontal elbow may be used (see illustration at the bottom of the page).
- Use 8" diameter vent.



Termination Requirements

! Venting terminals shall not be recessed into a wall or siding.

- A Minimum 9" clearance from any door or window
- B Minimum 12" above any grade, veranda, porch, deck or balcony
- C Minimum 1" from outside corner walls
NOTE: Clearance in accordance with local installation codes and the requirements of the gas supplier.
- D Minimum 1" from inside corner walls
NOTE: Clearance in accordance with local installation codes and the requirements of the gas supplier.
- E Minimum 11" clearance below unventilated soffits or roof surfaces
Minimum 18" clearance below ventilated soffits
Minimum 6" clearance below roof eaves
NOTE: Vinyl surfaces require 24"
NOTE: Clearance in accordance with local installation codes and the requirements of the gas supplier.
- F Minimum 12" clearance below a veranda, porch, deck or balcony
NOTE: Permitted only if veranda, porch, deck, or balcony is fully open on a minimum of two sides beneath the floor.
NOTE: Clearance in accordance with local installation codes and the requirements of the gas supplier.
- G Minimum 48" clearance from any adjacent building
- H Minimum 84" clearance above any grade when adjacent to public walkways or driveways
NOTE: may not be used over a walkway or driveway shared by an adjacent building
- I Minimum 9" clearance to any nonmechanical air supply inlet to the building or the combustion air inlet to any other appliance.
- J Minimum 36" clearance above any mechanical air supply inlet if within 10' horizontally
- K Minimum 36" from the area above the meter/regulator (vent outlet) - this extends 15' above the regulator
NOTE: Clearance in accordance with local installation codes and the requirements of the gas supplier.
- L Minimum 36" from the meter/regulator (vent outlet)
NOTE: Clearance in accordance with local installation codes and the requirements of the gas supplier.
- M Minimum 12" above the roof line (for vertical terminations)
- N Minimum 24" horizontal clearance to any surface (such as an exterior wall) – for vertical terminations



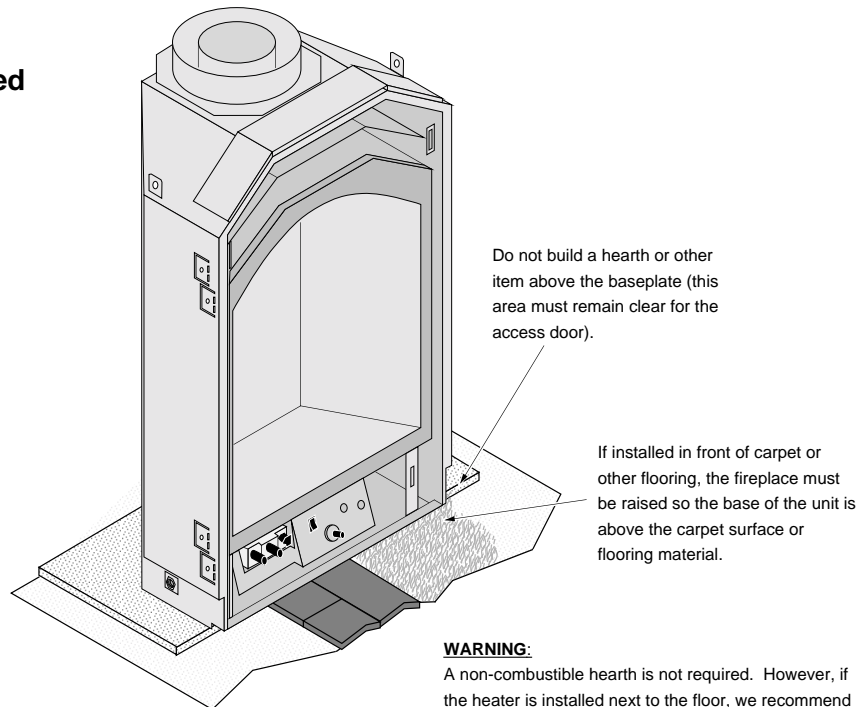
NOTE: Measure clearances to the nearest edge of the exhaust hood.

- Use the vinyl siding standoff when installing on an exterior with vinyl siding.
- Vent termination must not be located where it will become plugged by snow or other material

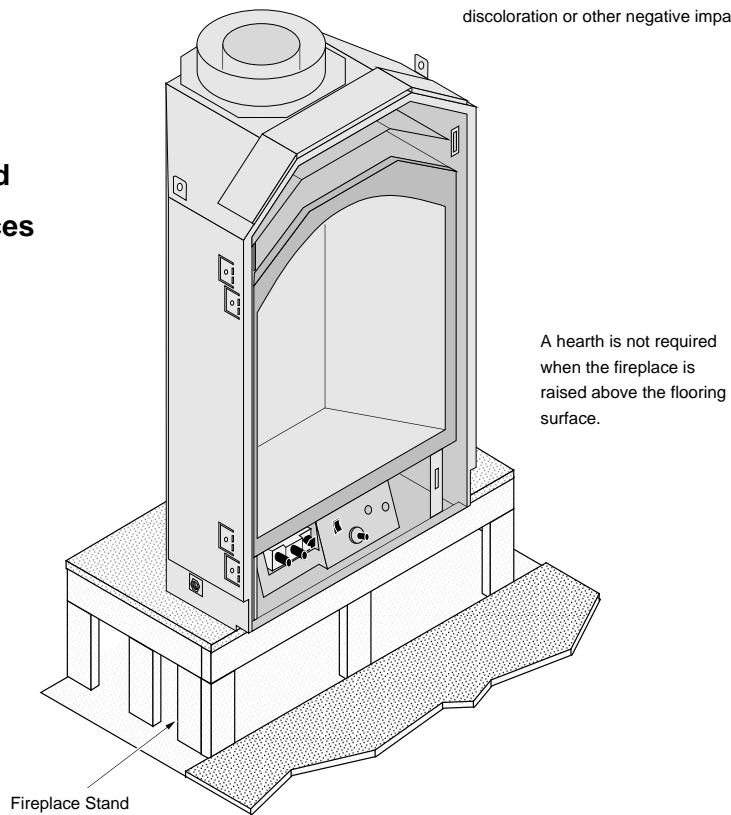
Hearth Requirements

NOTE: Looking Glass and Wilmington Faces require a raised fireplace – see Face Dimensions on page 33 for details.

Floor Mounted Fireplaces



Raised Fireplaces



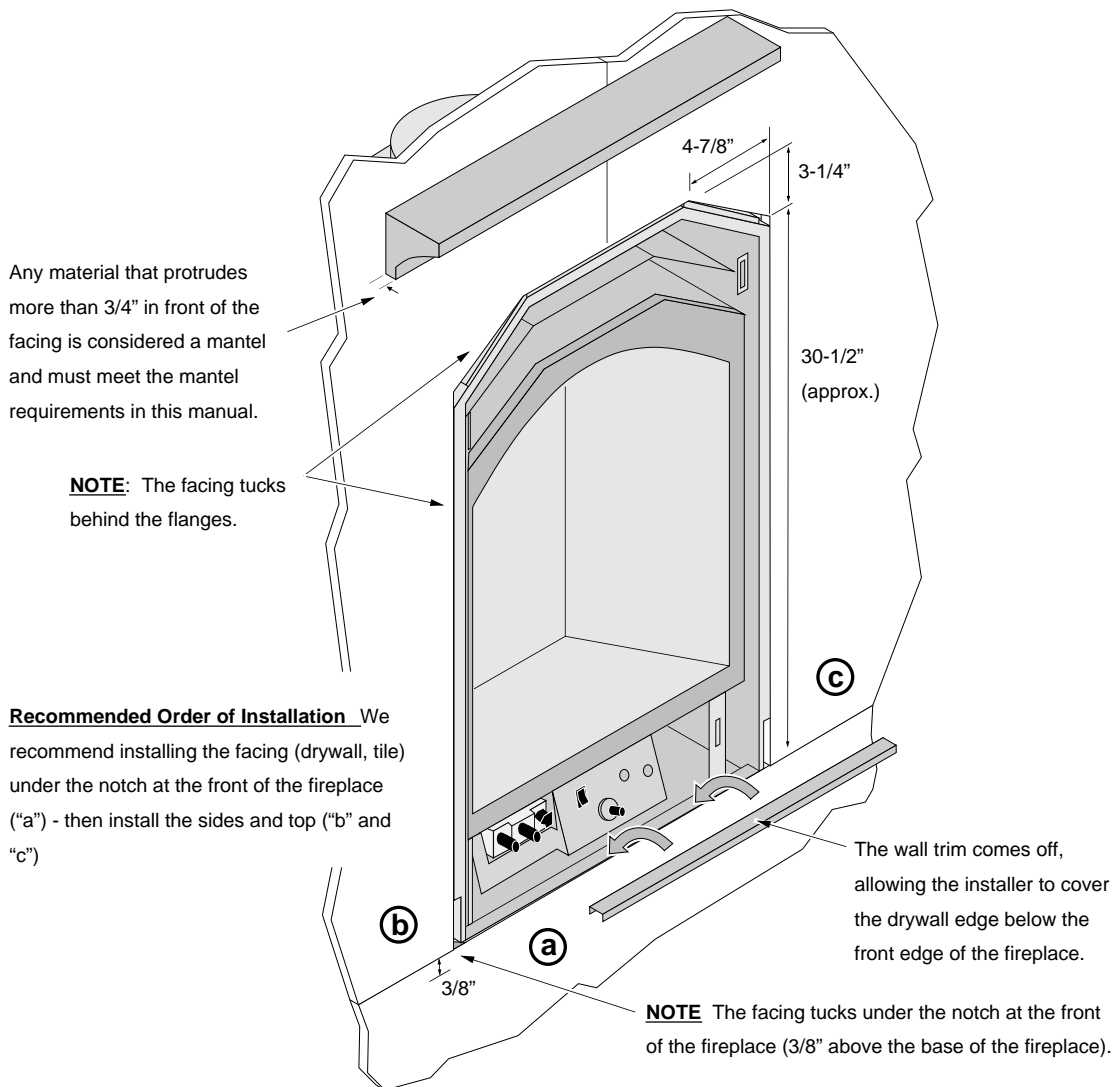
Facing Requirements

NOTE: The combustible area above the facing must not protrude more than 3/4" from the facing. If it does, it is considered a mantel and must meet the mantel requirements listed in this manual.

Face Dimensions

Face	Height	Width	Bottom of Face	Installation Notes
Arched Faces	35-1/2"	21-1/8"	Flush w base of fireplace	Arched top is 25-3/4" radius
Bungalow, T. of L.	35-3/8"	21-1/8"	Flush w base of fireplace	
Vict. Lace	35-1/2"	21-1/8"	Flush w base of fireplace	
Looking Glass	36-3/4"	23-1/2"	1-1/4" BELOW base of fireplace	Cast face is approx. 2" thick
Wilmington	36-3/4"	22-1/8"	1-1/4" BELOW base of fireplace	

Facing Under 1" Thick



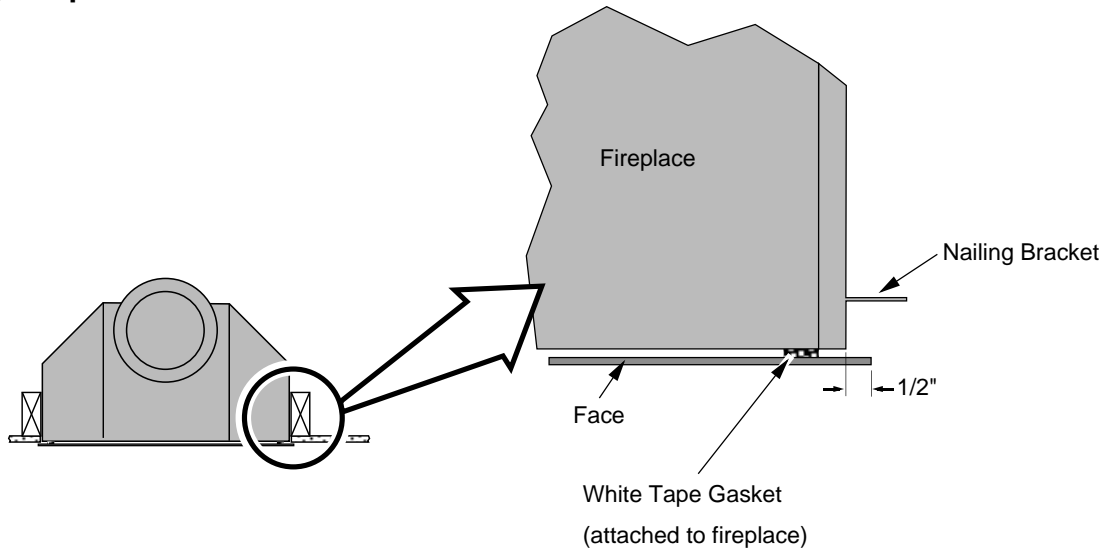
Facing Over 1" Thick

- Facing that protrudes in front of the face above the face (or within 1/2" of each side) must be made of non-combustible materials.

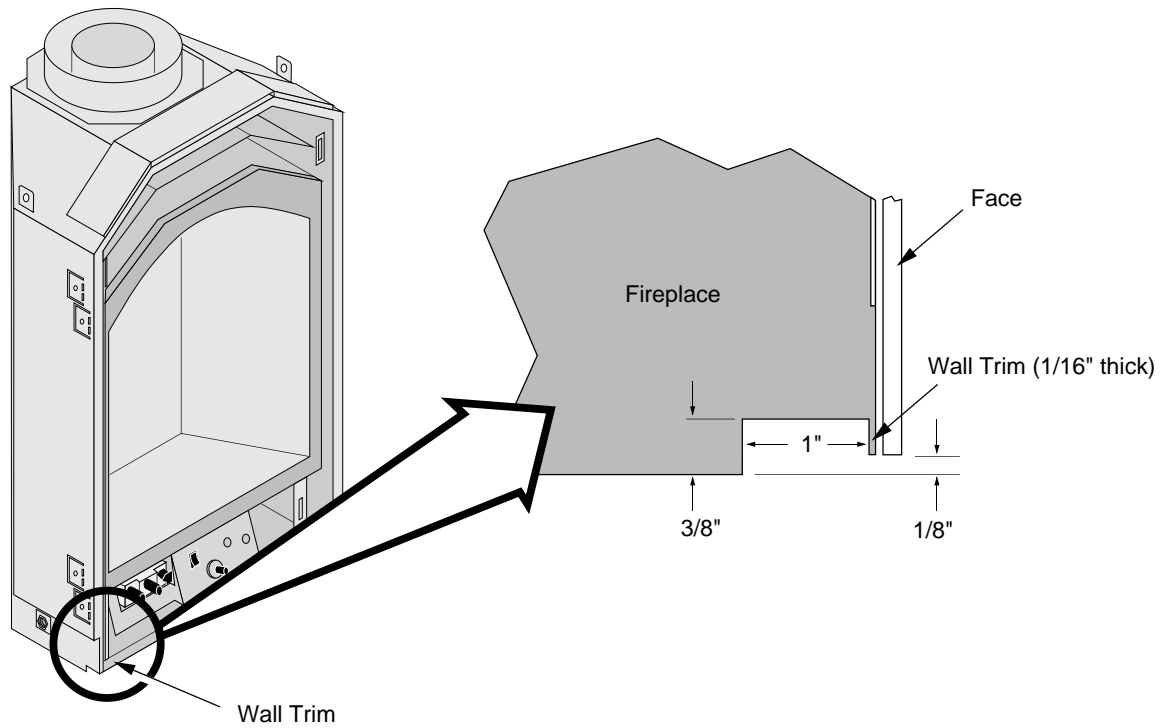
NOTE A 3/8" gap above the face is required for face installation and removal.

Facing – Fireplace Overview

Facing - Top View



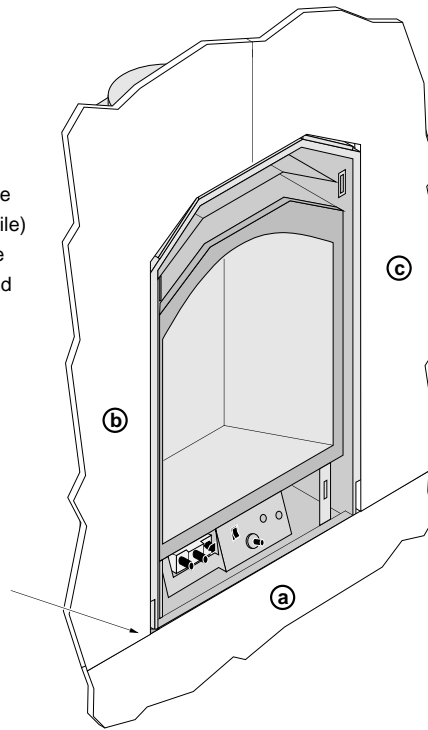
Facing - Side View



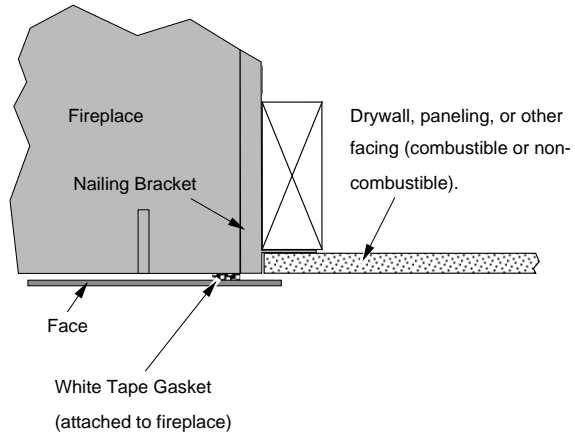
Facing Detail – Drywall Facing

Recommended Order of Installation We recommend installing the facing (drywall, tile) under the notch at the front of the fireplace (“a”) - then install the sides and top (“b” and “c”)

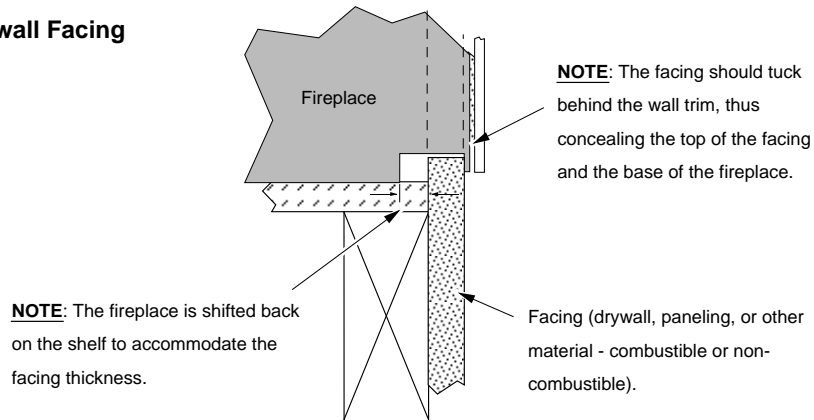
NOTE The facing tucks under the notch at the front of the fireplace (3/8” above the base of the fireplace).



Top View - Drywall Facing

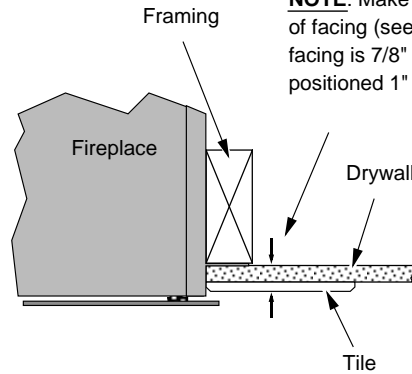


Side View - Drywall Facing



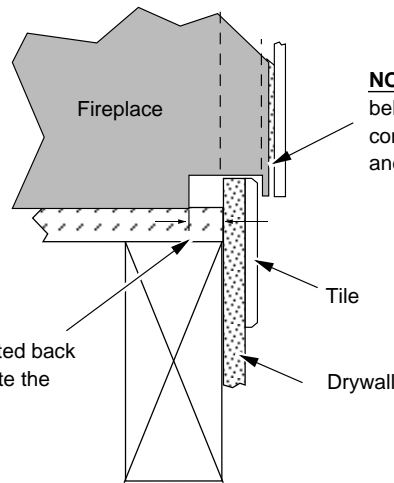
Facing Detail – Tile Facing

Top View - Tile Facing



NOTE: Make sure to use the correct nailing bracket for this type of facing (see "Nailing Bracket" for details). For this example the facing is 7/8" thick (3/8" tile plus 1/2" drywall). The framing is positioned 1" behind the front of the fireplace.

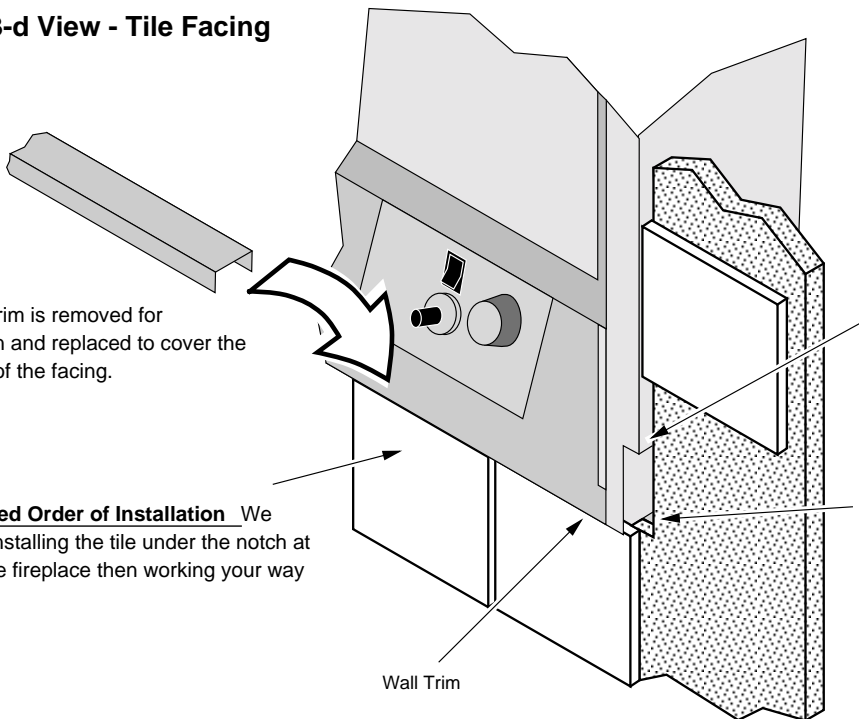
Side View - Tile Facing



NOTE: The facing should tuck behind the wall trim, thus concealing the top of the facing and the base of the fireplace.

NOTE: The fireplace is shifted back on the shelf to accommodate the facing thickness.

3-d View - Tile Facing



The wall trim is removed for installation and replaced to cover the top edge of the facing.

The facing contacts the side of the fireplace.

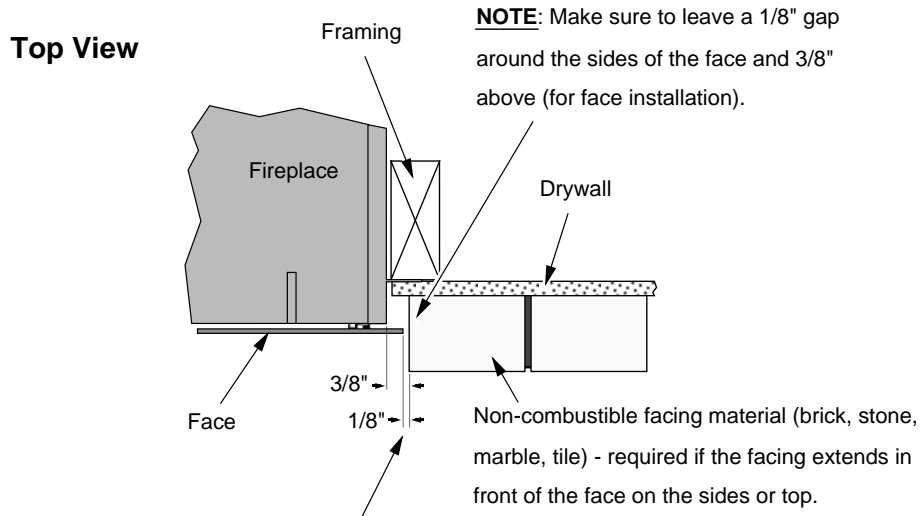
Note how the facing tucks underneath the wall trim.

Recommended Order of Installation We recommend installing the tile under the notch at the front of the fireplace then working your way up.

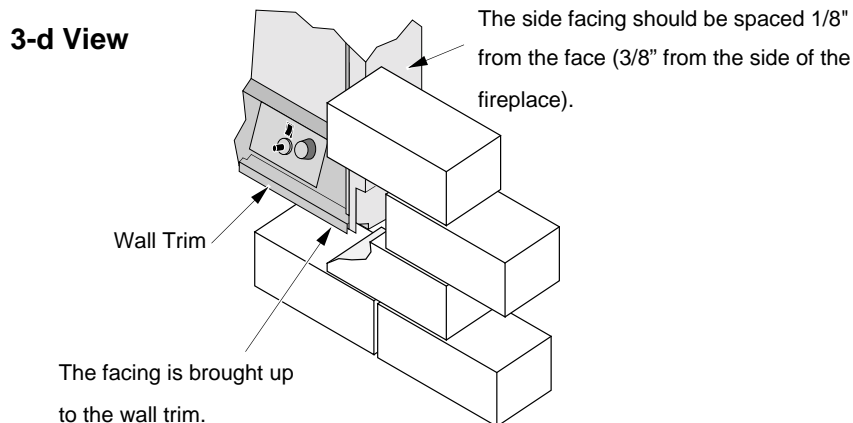
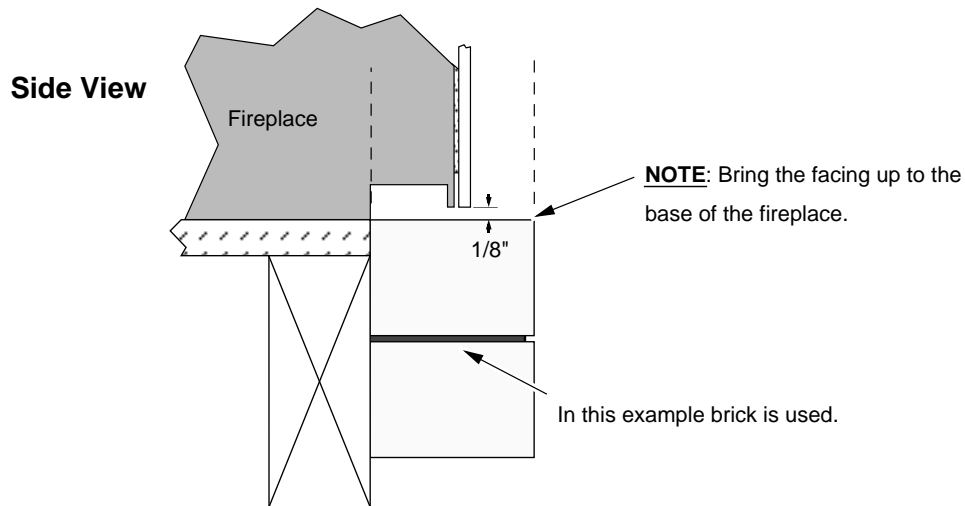
Facing Detail – Facing Over 1" Thick (Brick)

WARNING: Any facing that extends in front of the faceplate on the sides or top must be non-combustible.

NOTE: A 3/8" gap is required above the face for face installation.

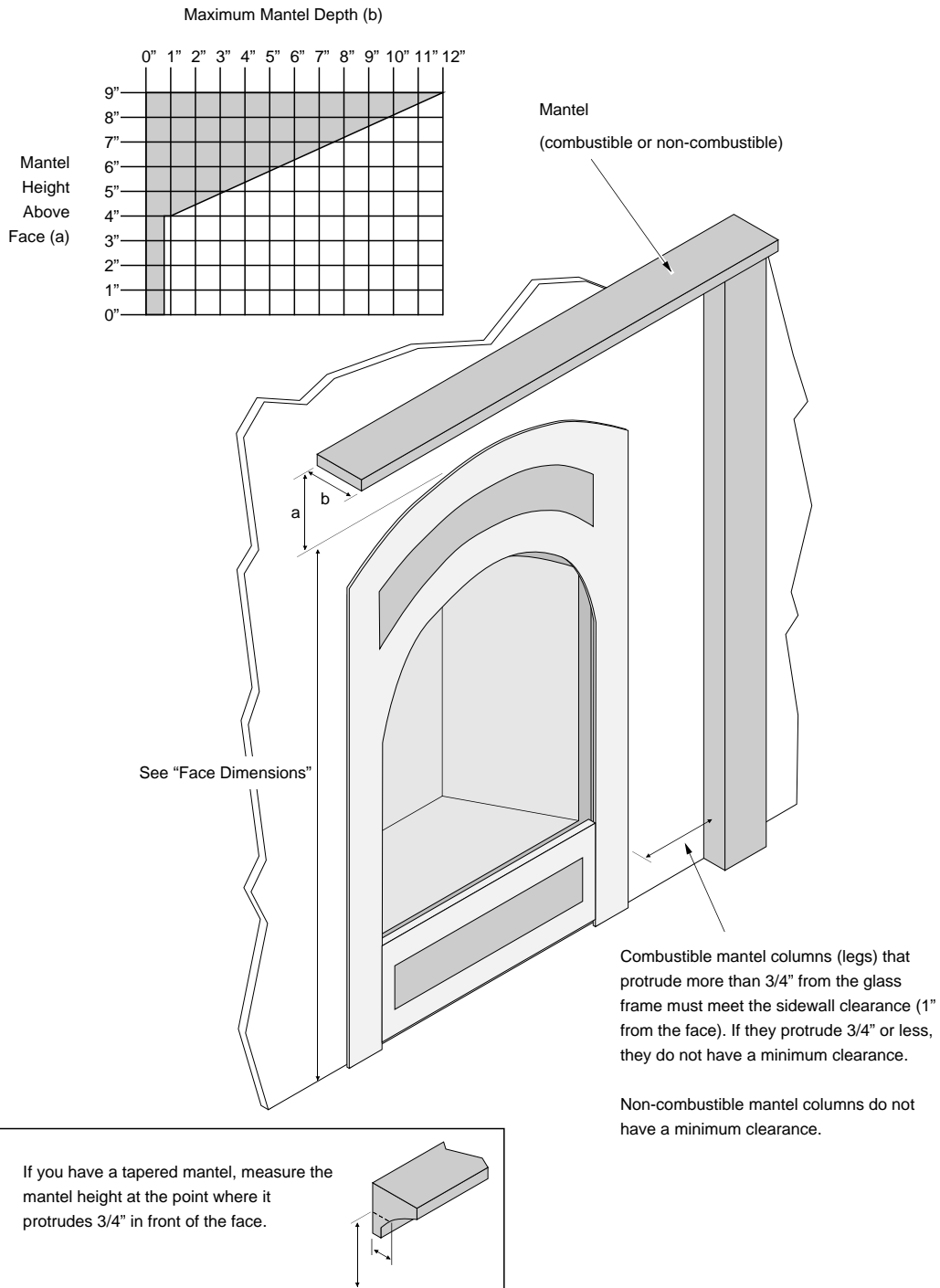


NOTE: When installed, there must be a minimum 1/8" gap between the face and facing.



Mantel Requirements

- The illustration below details mantel clearances and maximum mantel depth.
- Any material that protrudes more than 3/4" from the non-combustible facing is considered a mantel and must meet the mantel requirements.



Steps for Finalizing the Installation

1. Remove the glass (see page 41).
NOTE: If using propane (LP) convert the appliance prior to installing the logs.
2. We recommend you purge the gas line at this time (with the glass removed). This allows gas to be detected once it enters the firebox, ensuring gas does not build up.
3. Install the logs (see page 43).
4. Turn on the gas to the fireplace. Turn on gas to the heater. Leak test all gas joints prior to starting the appliance. Start the pilot.

Starting the Pilot Flame

WARNING: When lighting or re-lighting the pilot, the glass must be removed (see page 41).

- a Remove the glass (see page 41 for details).
- b Push the gas control knob in slightly and turn it to the "OFF" position. The knob will not turn from "ON" to "OFF" unless the knob is depressed slightly. Wait five minutes to let any gas that may have accumulated inside the firebox escape. If you smell leaking gas, follow the directions on the cover "IF YOU SMELL GAS".
- c Turn the gas control knob to the "PILOT" position and press the knob in, this will allow gas to flow to the pilot light. Press the button on the pilot igniter repeatedly until you see the pilot light.

WARNING: If the pilot does not light after 15 seconds, release the knob and call your dealer for service. Do not attempt to light pilot until service has been performed.

NOTE:

You may wish to remove the log set to gain a better view of the pilot (see page 43).

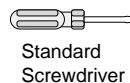
- d Keep the gas control knob depressed for 30 seconds once it is lit.
- e Release the gas control knob. If the pilot goes out, repeat step C. If the pilot refuses to stay lit, call your dealer for service. With the pilot lit, proceed to step "f".
- f Replace the glass.
- g Turn the gas control knob counter-clockwise to "ON". The pilot is now lit and the heater can be turned on and off.

5. Check the pilot flame following the directions below.

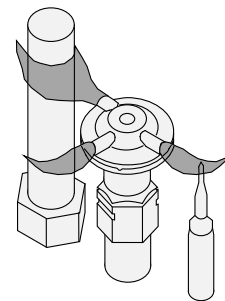
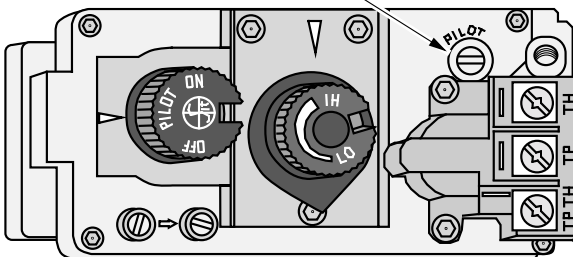
Pilot Flame Inspection

The pilot flame should look like the illustration below. Adjust the pilot flame if necessary.

To adjust the pilot flame, turn this screw. Clockwise lowers the flame while counter-clockwise raises it.



The pilot flame must contact the thermocouple and thermopile (see the illustration below). Adjust the pilot up or down as necessary.



6. Start the main burner (the main burner circuit is detailed on page 22). Leak test all gas joints again.

40 Finalizing the Installation (for qualified installers only)

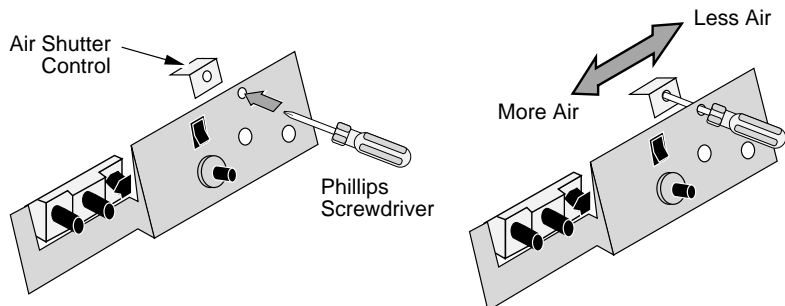
7. Check the air shutter following the directions below.

Air Shutter Adjustment

Let the heater burn for fifteen minutes (make sure the logs and glass are in place). The flames should be yellow with no sooting. Adjust the air shutter, if necessary, to achieve the correct looking flame.

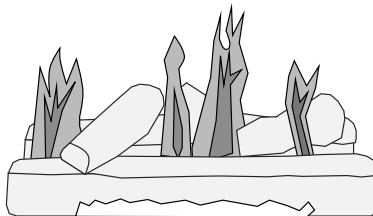
ADJUSTING THE AIR SHUTTER

Moving the air shutter control to the right gives the flame less air (closed) - making it more orange. Moving it to the left gives the flame more air (open), making it more blue. For fine adjustments use a screwdriver to tap the air shutter.



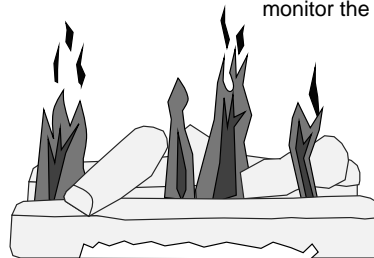
NOTE: If the air shutter is all the way open, yet the flames remain sooty, shut off gas to the fireplace and contact a qualified gas service technician.

NOTE: The logs must be installed correctly to monitor the flame while adjusting the air shutter.



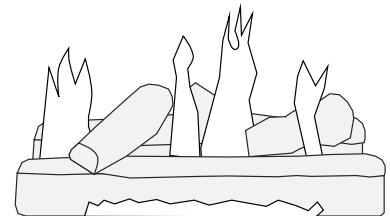
Correct

Flames should be blue at the base, yellow-orange on the top.



Not Enough Air

If the flames are too tall or sooty on the ends, open the air shutter.



Too Much Air

If the flames are all blue and short, close the air shutter.

- Turn the flame adjust knob to its highest position - the flames should not contact the top of the firebox. Check the flame on low position. The flames should burn off of each burner hole. If the heater does not work correctly, contact your Travis dealer for a remedy.
- Give this manual to the home owner for future reference and fully explain operation of this heater. For comprehensive operating and maintenance instructions, refer to the Owner's Manual (part # 100-01186).

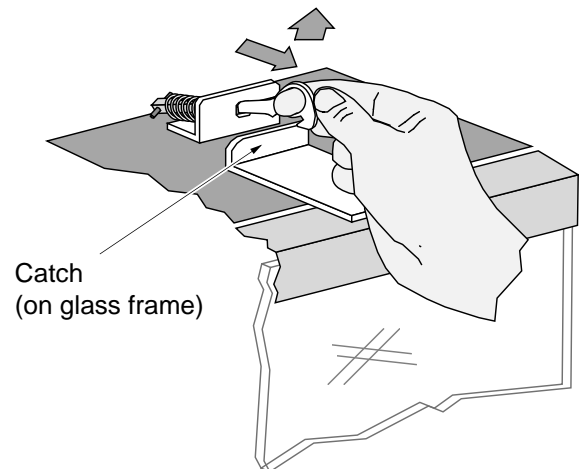
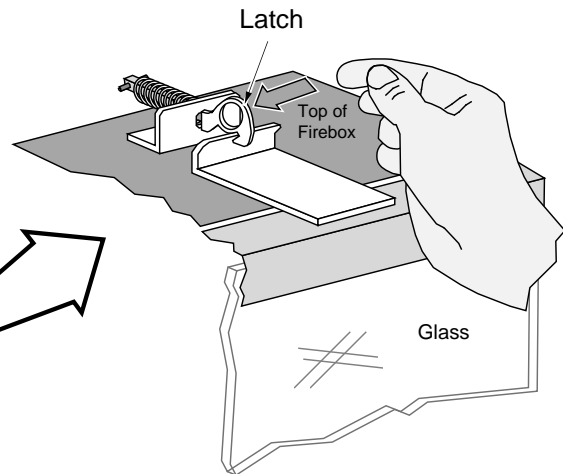
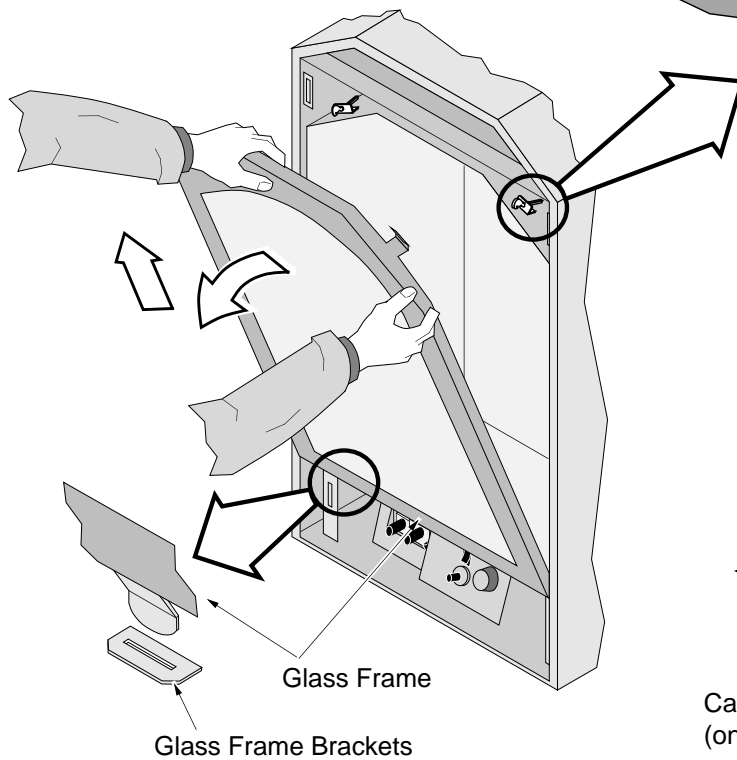
ACID WASH WARNING: Before installing the faceplate, make sure any masonry that has been treated with acid wash has been properly neutralized (this is used primarily with brick faces). Acid wash (muriatic acid) is used to remove excess mortar. If not properly neutralized with an ammonia solution, the plated face may develop a permanent tarnish when the acid evaporates over time. Contact your dealer if uncertain your facing has been properly neutralized.

Glass Frame Removal and Installation

Warning: The appliance must be completely cool before removing the glass.

Warning: Do not strike or slam the glass.

- a** Open the two latches holding the glass frame in place - follow the directions shown to the right.



- b** Tilt the glass frame forward then lift it up. The tabs on the glass frame will disengage from the slots on the glass frame brackets attached to the fireplace.

Re-Attaching the Glass Frame:

- Tilt the glass frame as shown above.
- Insert the tabs on the glass frame into the slots on the glass frame brackets (attached to the fireplace).
- Attach the two glass latches.

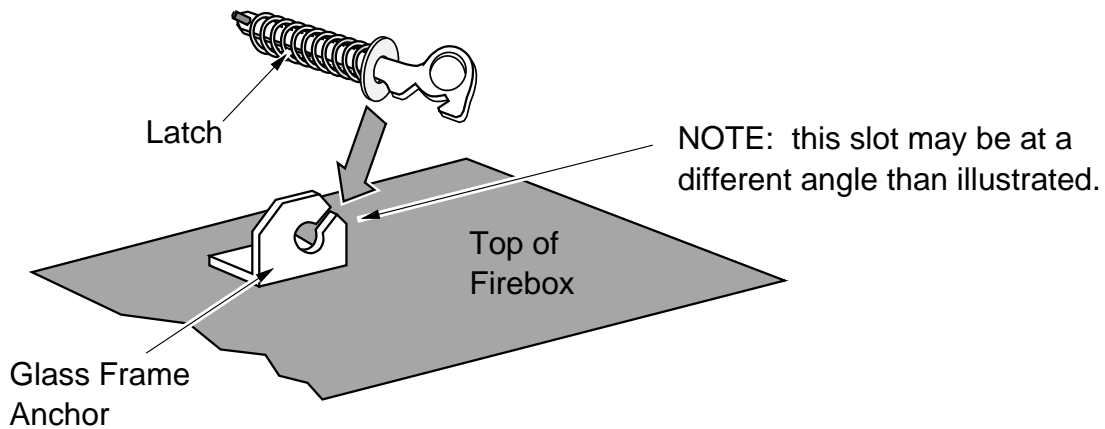
NOTE: Make sure the glass frame is all the way in place - it should be flush with the front of the fireplace when installed.

42 Finalizing the Installation (for qualified installers only)

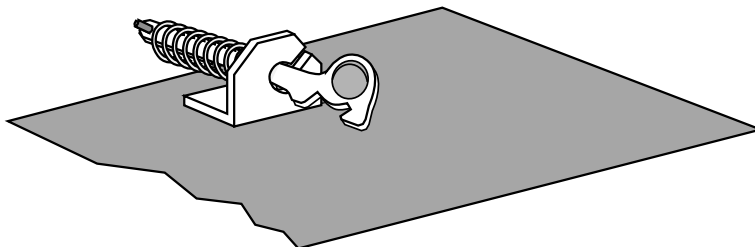
Glass Frame Removal and Installation (continued)

The latch can come loose from glass frame anchor. This occurs when it is turned 1/4 turn when it is disengaged. Follow the directions below to re-install the latch if it becomes loose.

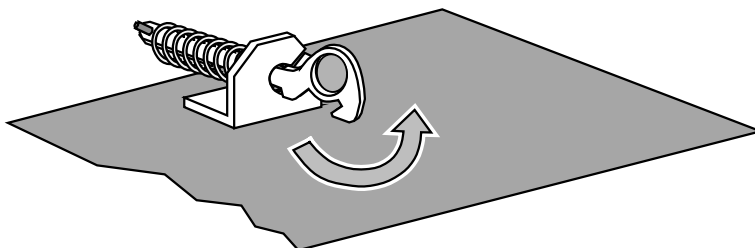
Hold the latch at an angle and insert it into the slot on the glass frame anchor.



Note how the washer on the latch fits behind the flange on the glass frame anchor.



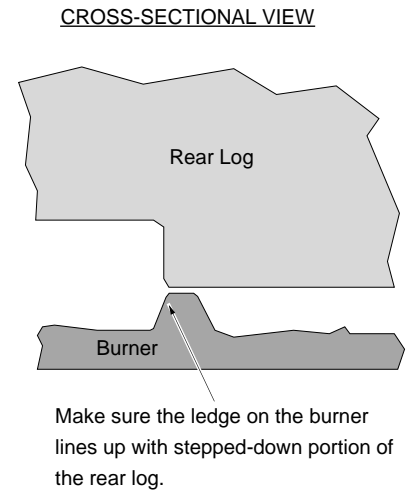
Once fully inserted, turn the latch until it is upright.



Log Set Installation

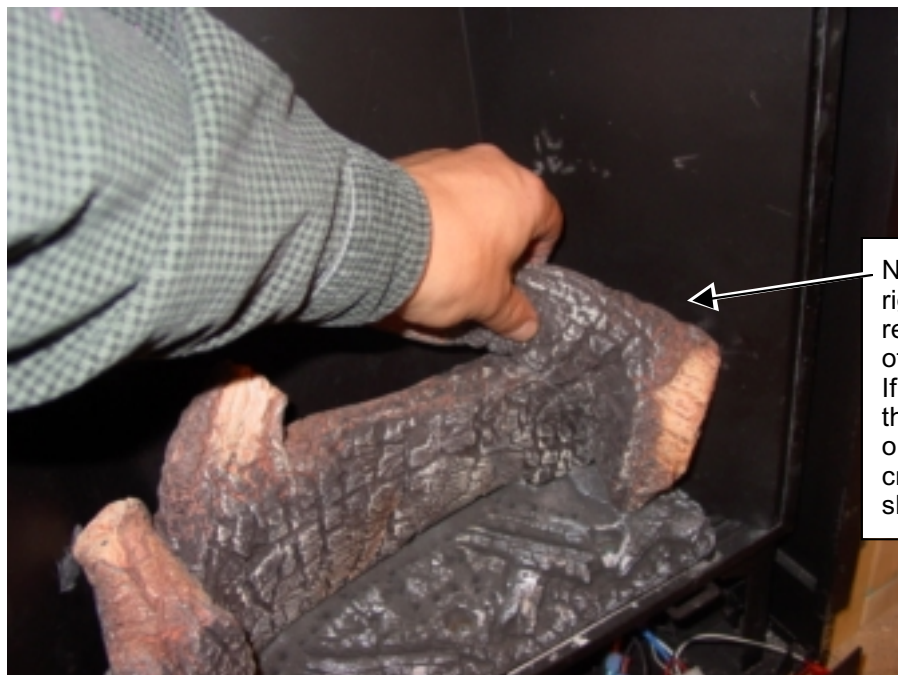
Rear Log Installation

Place the rear log with the left side flush to the edge of the burner and the right side flush to the metal deflector on the back edge of the burner. The bottom edge of the log should be located behind the burner ports (see the illustration below).



Right Rear Log Installation

Place the right rear log on top of the rear log. When placed correctly there is a minimal gap between the two logs. Make sure the bottom is placed so no burner ports are blocked.



NOTE: Make sure the right rear log does not rest against the back of the firebox (or liner). If it does, it will block the light from the optional accent light, creating a large shadow.

44 Finalizing the Installation (for qualified installers only)

Right Front Twig Installation

Place the right front twig as shown below. The bottom of the twig is placed one inch to the right of the center screw on the burner. The top of the twig rests in the groove on the right rear log.



Left Front Twig Installation

Place the left front twig as shown below. Note how both ends of the twig are directly over the center and left hand screw on the burner.



These two projections on the bottom of the twig insert into screw holes on the burner.

Left Front Twig Installation (continued)

Double check that the front twigs are not blocking any burner ports.



Place an ember over this screw.

Log Installation Overview

Correct view of complete log installation.

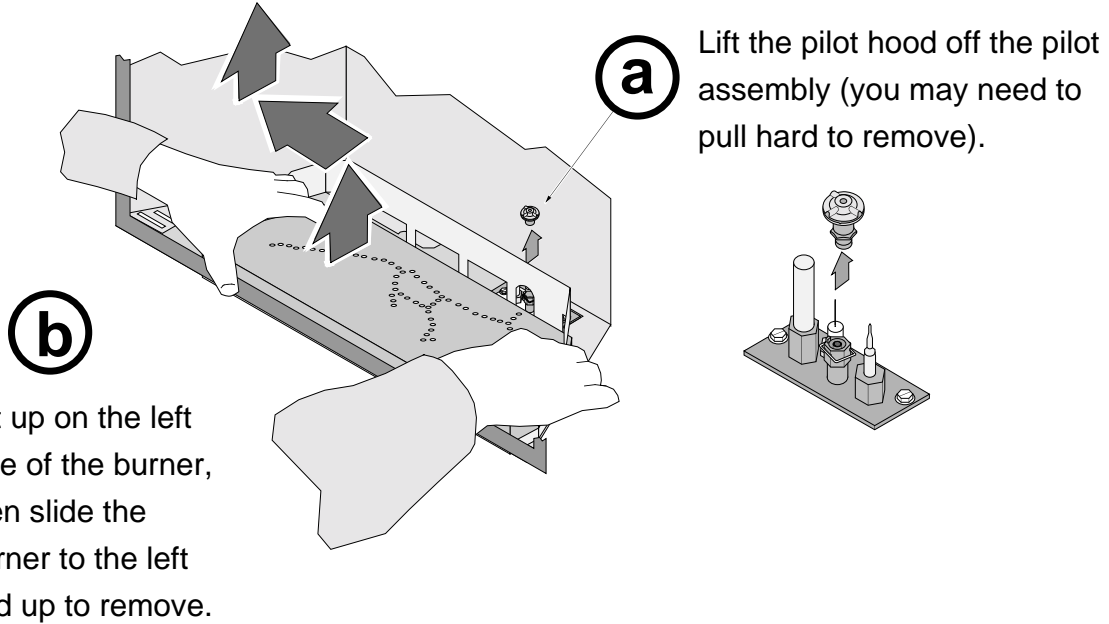


Place embers in the firebox corners and along the front edge of the burner. Do not place embers over burner holes or allow the embers to block airflow.

LP Conversion Instructions

Install the conversion kit prior to installing the gas line to ensure proper gas use.

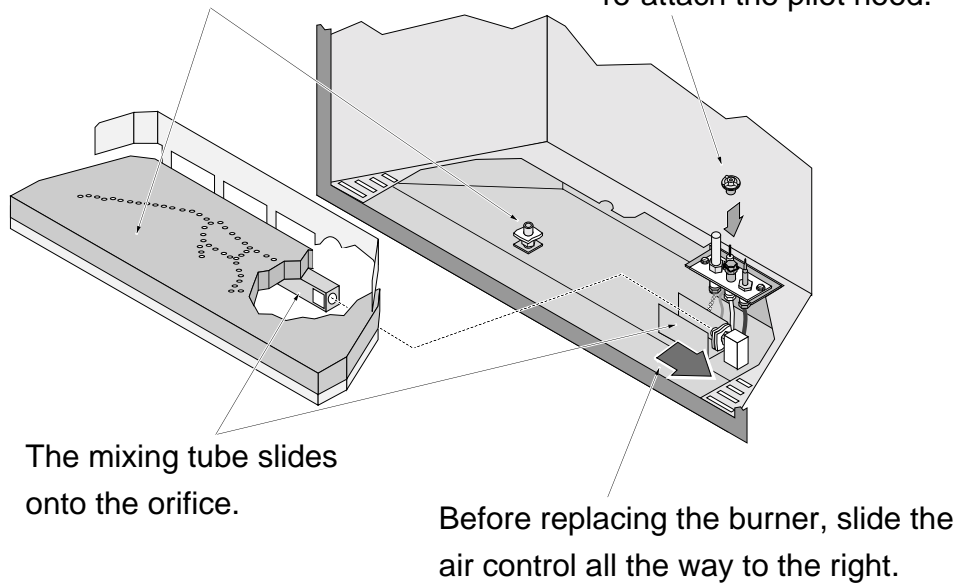
- 1 Remove the glass (see page 41). Remove the logs and coals (if installed - page 43)
- 2 Remove the burner (see illustration below).



Burner Replacement:

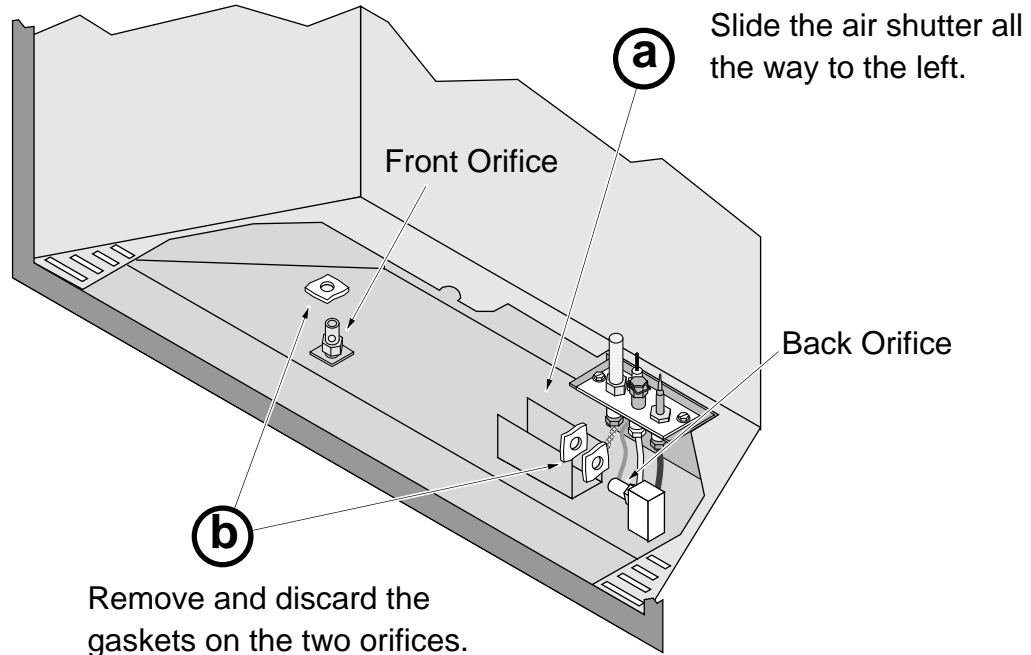
Make sure the orifice on the firebox floor inserts into the fitting on the bottom of the burner.

After replacing the burner re-attach the pilot hood.



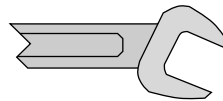
Make sure the burner is fully seated and pilot hood lines up with the burner holes at the rear edge of the burner.

3 Follow the directions below to replace the orifice.



c

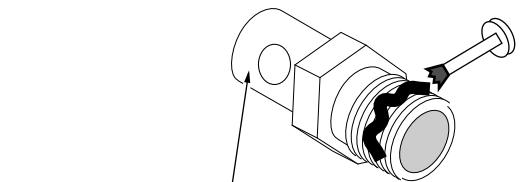
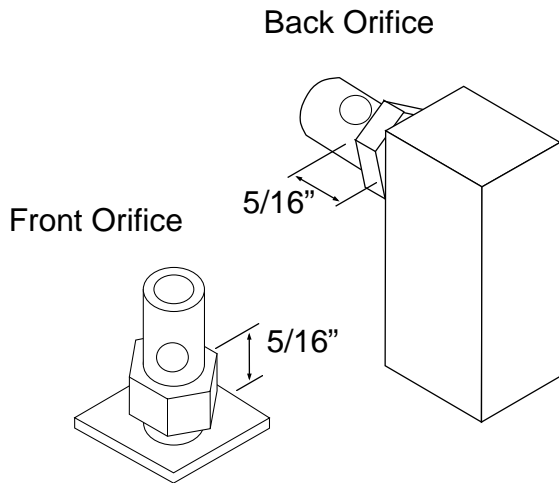
Use a 1/2" open end wrench to unscrew both burner orifices.



1/2" Wrench

d

Apply thread sealant to the new orifice and install.



Look here for the orifice identification.

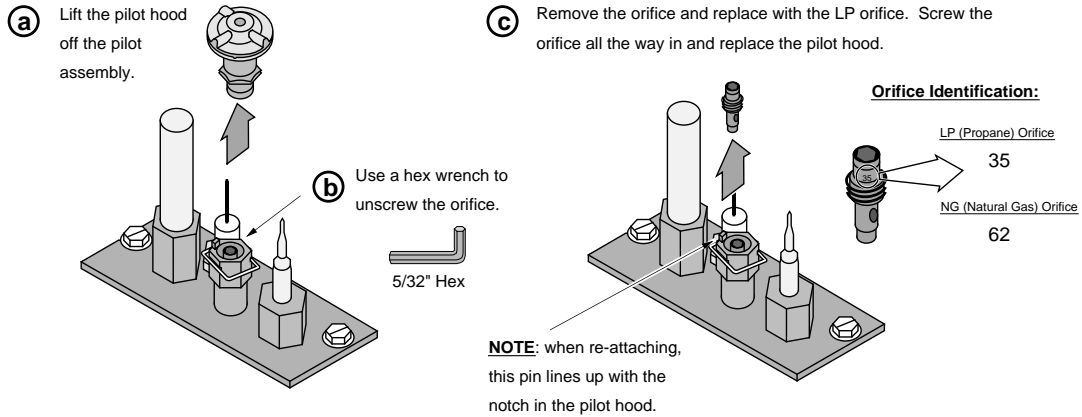
	LP	NG
Front	#66	#55
Rear	#65	#55

NOTE:

Screw the LP orifice in so the orifice shoulder protrudes 5/16" (indicating full insertion).

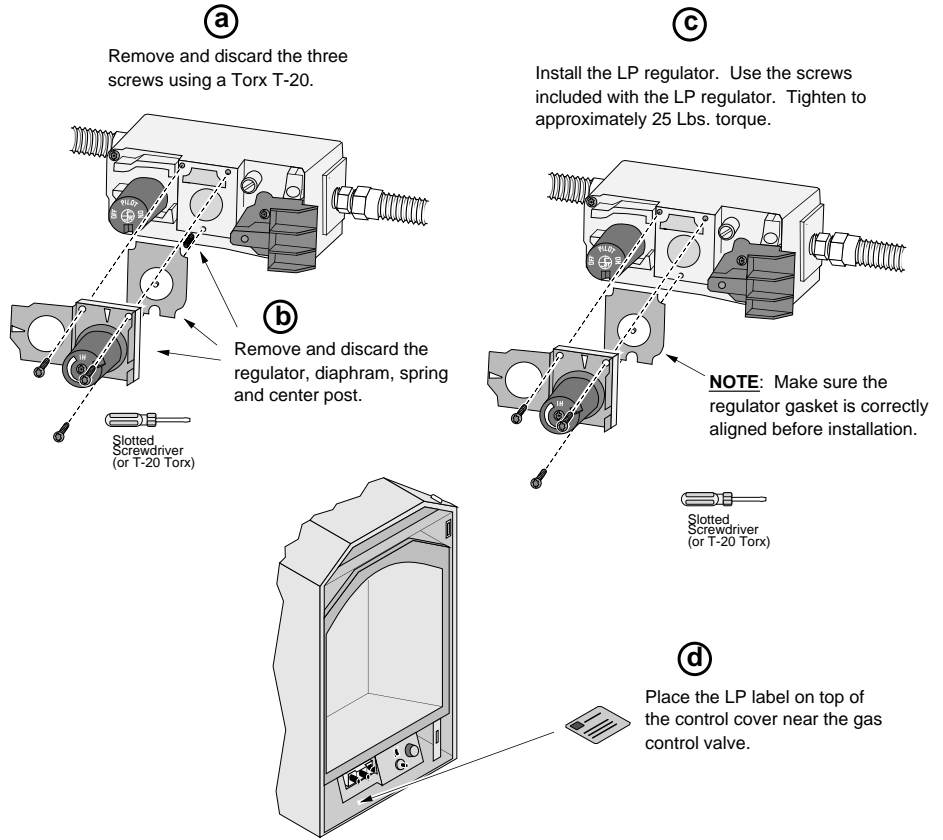
48 Optional Equipment (for qualified installers only)

4 Remove the pilot orifice following the instructions below. Replace with the propane pilot orifice



5 Replace the firebox components. Install the logs and embers. Replace the glass.

6 Remove the regulator from the front of the gas control valve. Replace with the propane regulator, using the new gasket and screws included with the regulator. **NOTE: Leak test this area after the heater is installed, gas is connected, and the main burner is lit.**



- 7 Make the gas line connection, bleed the gas line (if applicable), start the heater and thoroughly leak-test all gas connections and the gas control valve. Check the pilot. Adjust if necessary.

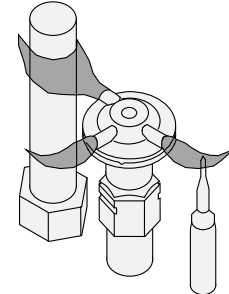
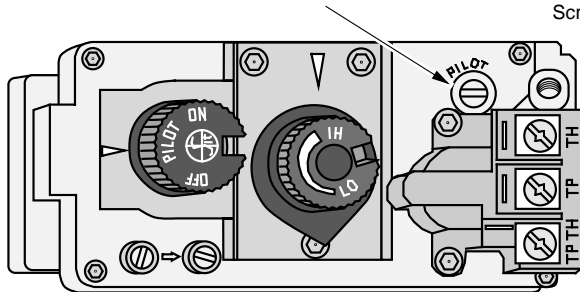
WARNING: When lighting or re-lighting the pilot, the glass must be removed (see page 41).

To adjust the pilot flame, turn this screw (NOTE: if totally unscrewed gas will come out of this port). Clockwise lowers the flame while counter-clockwise raises it.



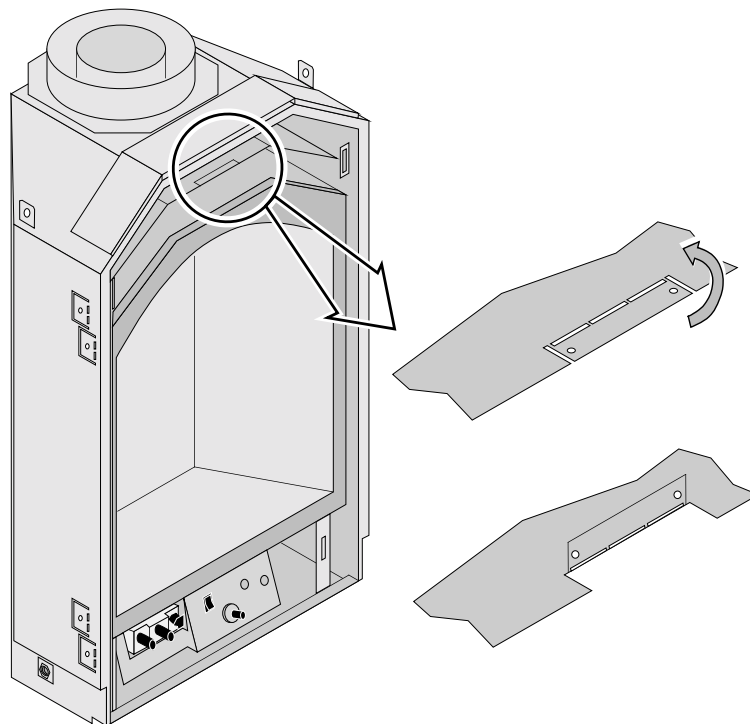
Standard Screwdriver

The pilot flame must contact the thermocouple and thermopile (see the illustration below). Adjust the pilot up or down as necessary.



Aromatherapy Modification

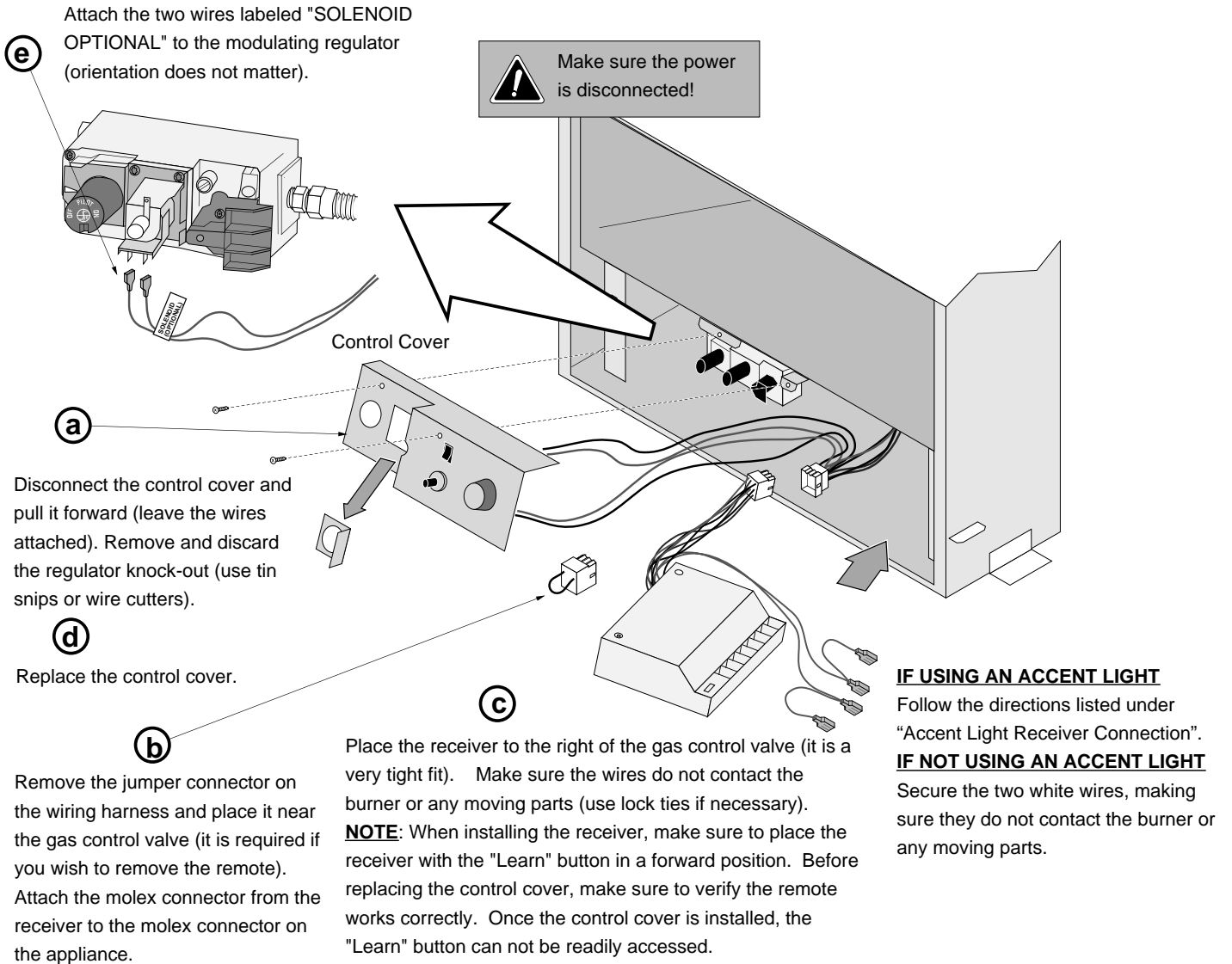
If you are using the aromatherapy option with the 21 TRV, you will need to bend up the mounting flange on the front of the fireplace (see the illustration below). The aromatherapy extension assembly attaches to this flange.



Omega Remote Notes

If you are using the Omega remote option with the 21 TRV, follow the directions below for installing the receiver and attaching the accent light leads (if applicable – see the following page).

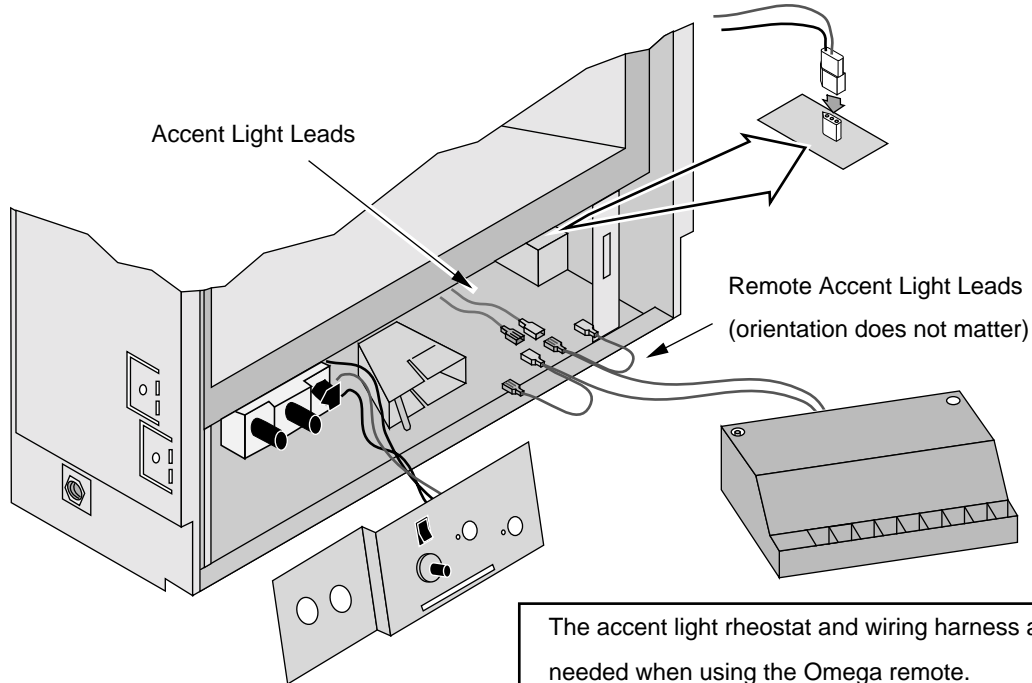
Receiver Installation



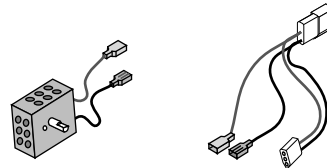
Accent Light Connection to Omega Remote

If using the accent light with an Omega remote, you will want to remove and discard the accent light rheostat and wiring harness. Plug the wiring harness (included with the blower) into the junction box on the fireplace. The leads from the accent light are connected to the leads from the Omega remote.

The molex connector on the blower wiring harness plugs into the molex connector on the junction box.



The accent light rheostat and wiring harness are not needed when using the Omega remote.



Index

Additional Items Required	7	Minimum Framing Dimensions - Top Vent Configuration.....	15
Air Shutter Adjustment	40	Minimum Framing Dimensions - Rear Vent Configuration.....	16
Altitude Considerations	23	Nailing Brackets.....	17
Approved Vent Configurations	25	Overview.....	2
Approved Vent.....	24	Packing List.....	7
Aromatherapy Modification.....	49	Pilot Flame Inspection.....	39
Clearances	14	Raised Fireplaces.....	14
Converting the Fireplace to Rear Vent Configuration...	11	Top Vent Configuration with Horizontal Termination.....	27
Corner Installations - Top Vent Configuration	18	Top Vent Configuration with Vertical Termination.....	28
Corner Installations - Rear Vent Configuration.....	18	Rear Vent Configuration with Horizontal Termination...	29
Diffuser Plate Adjustment	26	Recommended Installation Procedure	7
Dimensions.....	6	Restrictor and Diffuser Position.....	25
Electrical Connection (required)	21	Safety Precautions.....	4
Exhaust Restrictor Adjustment	25	Starting the Pilot Flame.....	39
Facing Requirements	33	Steps for Finalizing the Installation	39
Features.....	6	Termination Requirements.....	31
Fuel.....	19	Thick Facing Installation with FPX Arched Faces	
Gas Inlet Pressure	19	Thick Facing Installation.....	
Gas Line Connection.....	19	Thin Facing Installation.....	
Gas Line Location	19	Rear Vent Configuration with Vertical Termination	30
Gas Line Requirements	19	Vent Clearances	23
Glass Frame Removal and Installation.....	41	Vent Installation.....	24
Hearth Requirements	32	Vent Requirements.....	23
Heating Specifications	6	Installation.....	22
Index.....	52	Wall Switch or Thermostat Installation	22
Installation Options	6	Wiring Diagram (Millivolt System).....	22
Installation Overview	8		
Listing Details.....	2		
Log Set Installation.....	43		
Mantel Requirements	38		