

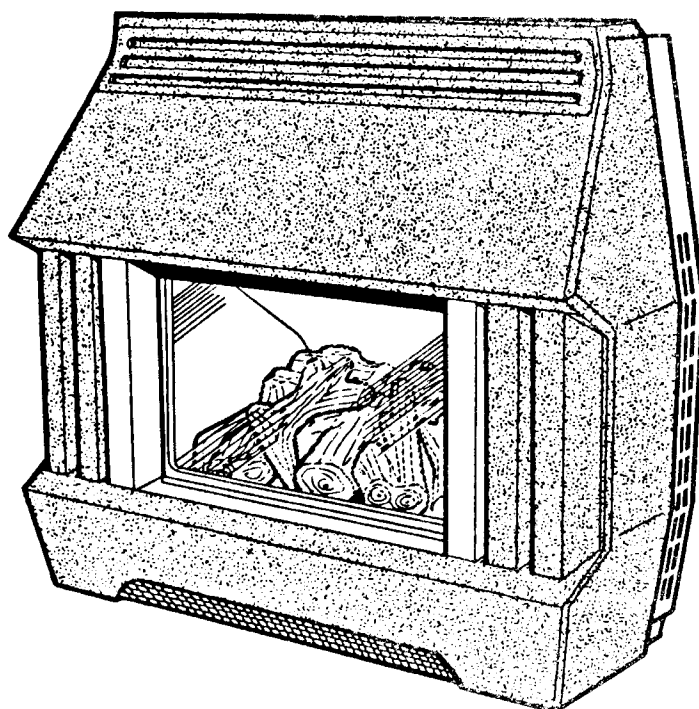


valor

Homeflame

MODEL 475MNB - Black
MODEL 475MNC - Cinnamon

Gas-Fired Vented Room Heater



INSTALLATION INSTRUCTIONS

LEAVE THESE INSTRUCTIONS WITH THE OWNER

THIS HEATER IS FOR USE WITH NATURAL GAS ONLY

FOR YOUR SAFETY

Do not store or use gasoline or other flammable vapors and liquids in the vicinity of this or any other appliance.

FOR YOUR SAFETY

If you smell gas:

1. Open windows.
2. Turn off main gas supply.
3. Don't touch electrical switches.
4. Extinguish any open flame.
5. Immediately call your gas supplier.

Vous pourrez vous procurer un exemplaire en langue Française de cette brochure chez votre concessionnaire.

valor HEATING LIMITED

ERDINGTON . BIRMINGHAM B24 9QP . ENGLAND

DISTRIBUTED BY

MILES
INDUSTRIES LTD
829 Third Street West,
NORTH VANCOUVER, B.C. V7P 3K7
Phone (604) 984-3496

INSTALLATION INSTRUCTIONS

1. GENERAL Installation must conform with local codes, or in the absence of local codes, with the current CAN 1.B149.1 Installation Code (Natural Gas).

1.1 CLEARANCES

Make sure that minimum clearances to combustible materials are maintained during installation including adequate space for the proper operation and servicing of the heater.

The minimum clearances from the heater to combustibles are shown below (Fig. 1).

NOTE: Ensure that the combustion air opening under the heater is not obstructed.

1.2 FLOOR

DO NOT place heater on Carpeting, Vinyl or other soft-surfaced floor coverings. Install only on hard surfaced materials. It is recommended for aesthetic considerations and ease of maintenance that the heater be installed on a hearth finished with brick, ceramic tile, marble etc. Raising the hearth slightly will help to minimize dust and lint accumulation under the unit.

1.3 DRAFT HOOD

The heater has a draft hood built into its back and draws its air from either side. It must not be altered or obstructed, and the unit must be installed so that the draft hood is in the same atmospheric pressure zone as the combustion air inlet to the burner.

1.4 VENTING

This heater is a vented appliance and must be connected to a chimney/flue in accordance with the code.

For your safety this heater is equipped with a vent safety switch designed to sense incorrect venting and react by shutting down the gas supply. This thermally actuated switch is located within the draft hood so as to detect either a blocked chimney condition or backdraft condition where the chimney flow has reversed due to any cause. (see section 3.3)

A venting adaptor kit for a concealed wall venting system is itemized in Section 4.

1.5 GAS

For use with natural gas only. The minimum gas inlet pressure is 5" water column.

2. PREPARATION

2.1 UNPACKING - This heater is packed assembled, except for the ceramic side cheeks, flue collar, sealing plate and styrofoam box containing the logs, ceramic grids and log support bars.

GREAT CARE SHOULD BE TAKEN IN REMOVING THE CONTENTS FROM THE CARTON TO PREVENT DAMAGE.

2.2 PREPARE THE HEATER by standing it upright and

1. Hold the left and right side trims situated at the sides of the window and push upwards to release them from the window ledge (Fig. 2 arrow 1).

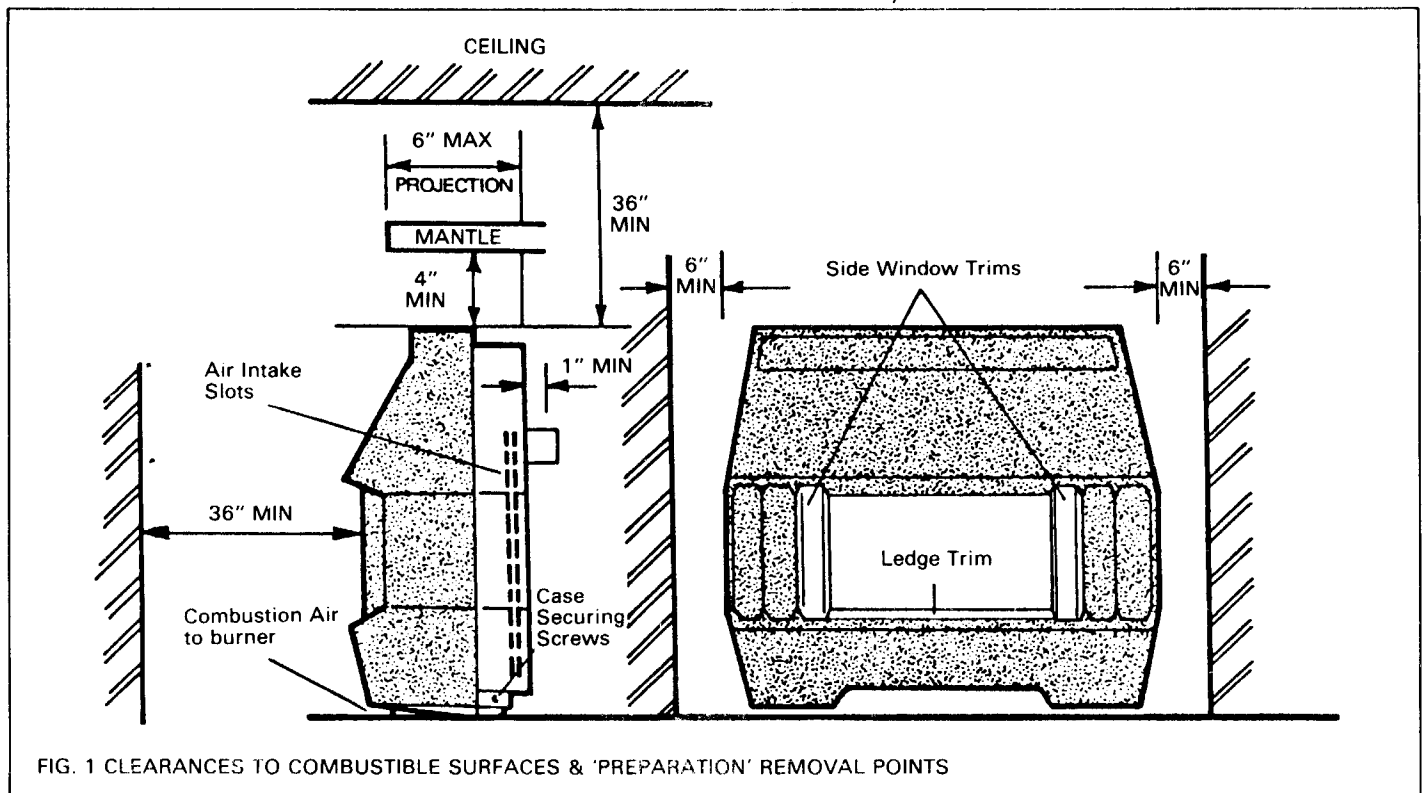
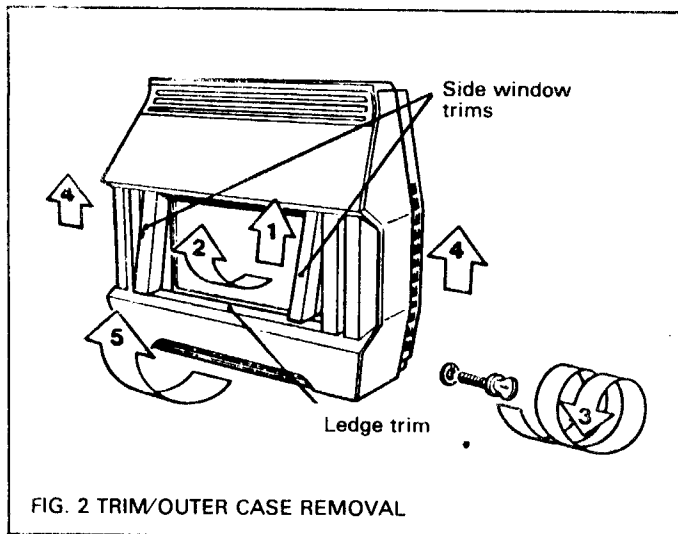


FIG. 1 CLEARANCES TO COMBUSTIBLE SURFACES & 'PREPARATION' REMOVAL POINTS



2. Pull the bottom of the trims forward (Fig. 2 arrow 2) and lift clear.
3. Lift off the trim situated on the ledge at the bottom front of the window.
4. Unscrew the winged screws situated near the bottom rear corners of the outer casing sides (Fig. 2 arrow 3).
5. Lift the whole outer casing unit upwards to release from its location (Fig. 2 arrow 4).
6. Pull the outer casing unit forward (Fig. 2 arrow 5). Lift clear and place aside.
7. Remove the window frame by releasing the two side catches and lifting the frame clear of its bottom location. Place the window frame safely to one side.

NOTE: the white baseboard in the radiant box must be left in place — it is not packing material.

8. Fit the flue collar to the back of the heater using the self tapping screws provided.
9. **Level the unit by slacking off the lock nuts, and turning the levelling screws up and down as required with the screw heads bearing on the floor plate. Make sure that the top surface of the floor plate insulation is clear from the bottom of the burner by at least $\frac{3}{4}$ in. Ensure that the unit is square to the wall and level then tighten the lock nuts.**

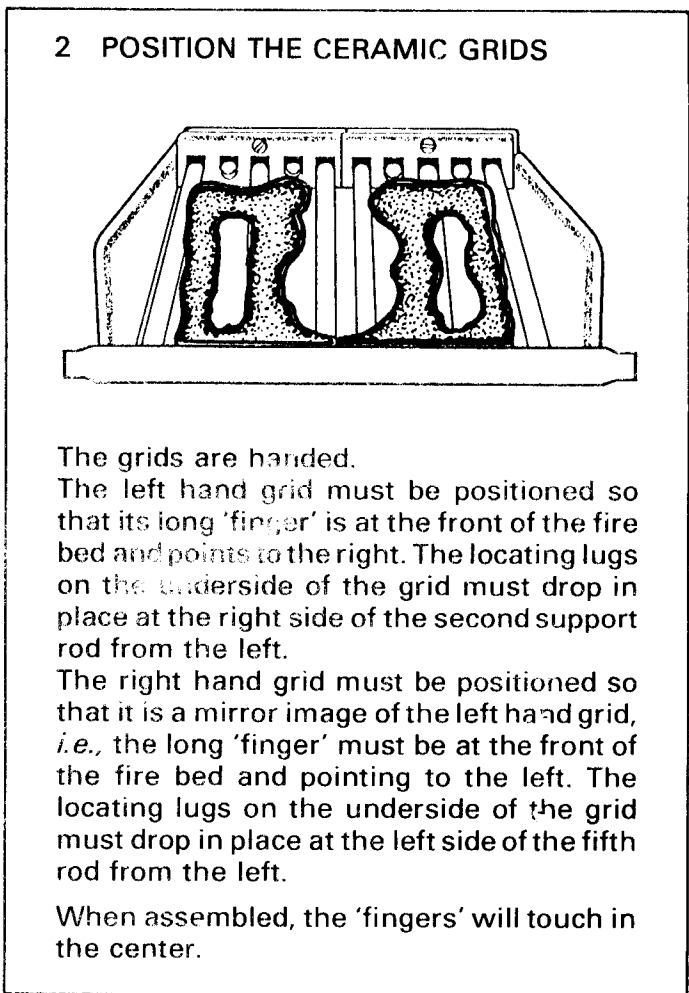
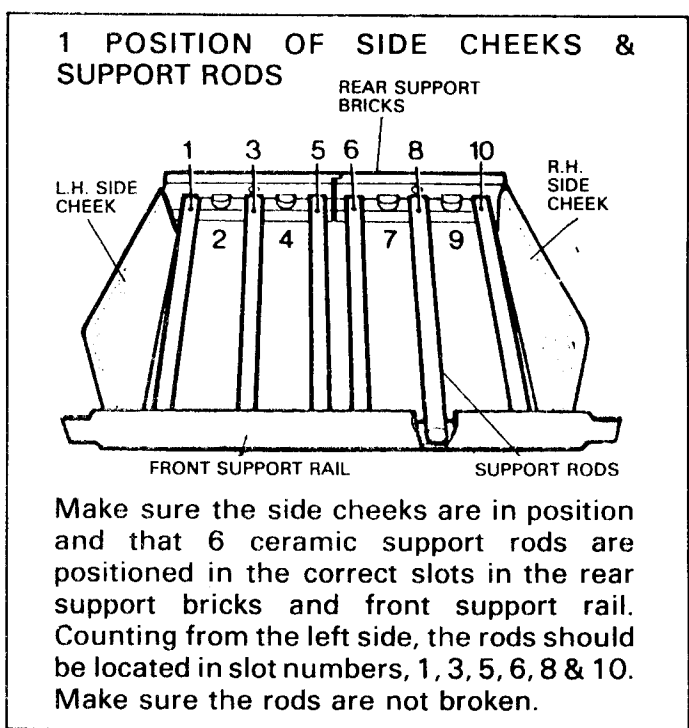
2.3 Gas connection is $\frac{3}{8}$ " NPT and is on the right hand side. After making the gas connection, test for leaks with soapy solution.

2.4 Connect the flue outlet to the venting system (see section 4 for specifics).

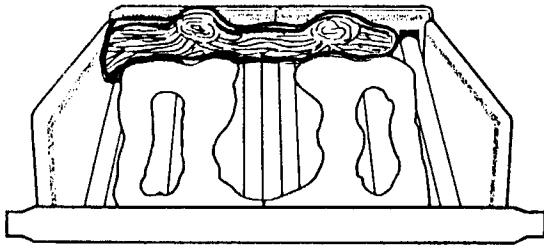
2.5 ASSEMBLE THE LOGS

In order to obtain the correct performance, from your heater, the Ceramic Grids and Logs must be positioned as in these instructions.

The Ceramic Grids are handed. Each Log has a number stamped on it which corresponds with the number referred to in these instructions. **WHEN IN POSITION THE NUMBERS ON THE LOGS FACE DOWN.**

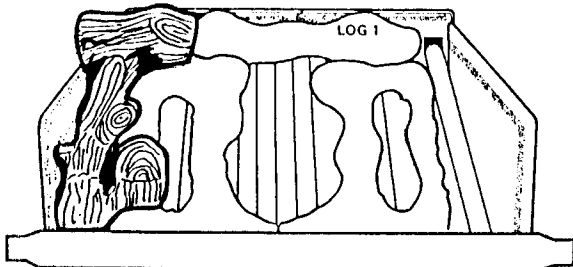


3 POSITION LOG No. 1



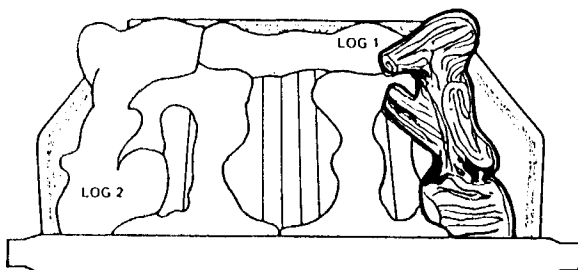
Place Log No. 1 at the rear of the ceramic grids. The largest decorative stump on the log should be on the left hand side and the log should be as far to the left as possible.

4 POSITION LOG No. 2



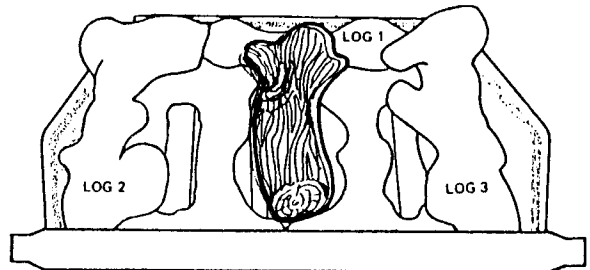
Place Log No 2 at the left side of the bed. Slide the wedge shaped end under the top lip of the metal front support rail and to the left of the ceramic grid. The left hand stump of the T shaped branch at the rear should be over the left side cheek and touch the bright metal side of the firebox.

5 POSITION LOG No. 3



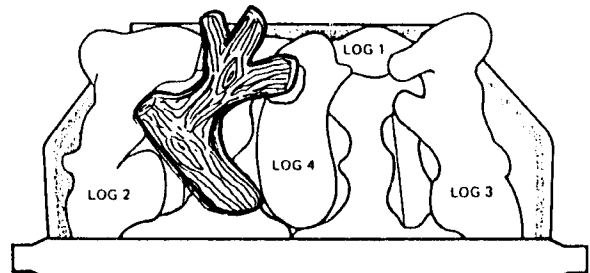
Place log No. 3 at the right side of the bed. Slide the wedge shaped end under the top lip of the metal front support rail and to the right of the ceramic grid. The right hand end of the T shaped branch at the rear should be over the right side cheek and touch the bright metal side of the fire box.

6 POSITION LOG No. 4



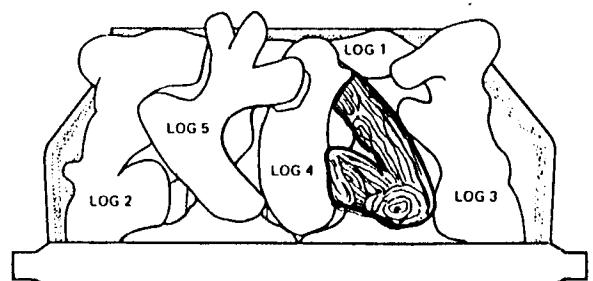
Place log No 4 in the center of the fire bed with the wide end at the front. The two location lugs underneath the log should drop between the two center support rods. The bottom front edge of the log must be **BEHIND THE 'fingers'** at the front of the ceramic grids and **NOT** on top of the grids. The base of the log should rest directly on the support bars. The narrow rear portion should be over log No. 1.

7 POSITION LOG No. 5

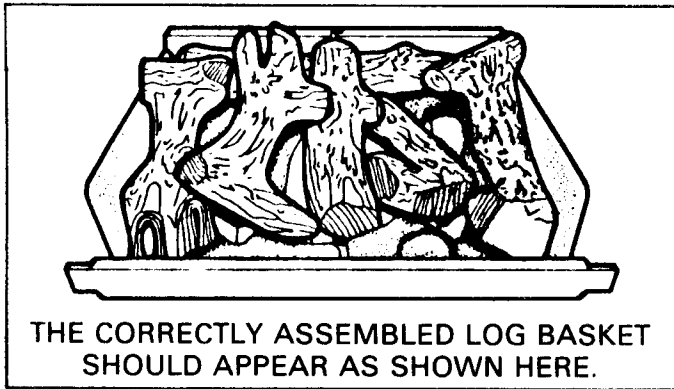


Place log No 5 between No 2 and log No 4. The arm with three branches should point to the rear center with the right hand branch resting inside the comma shaped seating on the top of log No. 4. The left hand branch should rest against the right hand of th rear T section of log No 2 and be pushed down to touch the rear log (No. 1). The branch at the front of the log should rest against the front right hand piece of log No 2 and its right hand edge (pointing to the front center of the bed) should touch the front left side of the center log (No. 4).

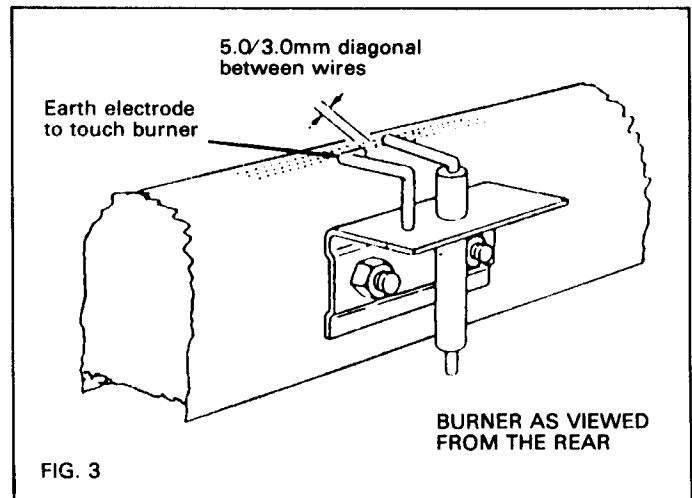
8 POSITION LOG No. 6



Place log No 6 between log No 3 and log No 5. The joined section of the two branches should be at the front. Slide the long thin branch underneath the small stump at the right hand side of the centre log (No 4) so that it is pointing towards the rear center of the bed. The lug underneath the front (jointed) part of the log should drop into the front hole in the ceramic grid.



REPLACE THE GLASS WINDOW AND FRAME



(b) Check all the control settings. (Turn counter-clockwise for progressive settings). These are:-

Control Knob Position	Main Burner Setting	Decorative Flame Setting	Note
1/IGN	Low (Center Section) On	Off	This is also (Ignition Position (See above)
2	Low (Center Section) On	Center Section On	—
3	High (Full On)	Off	Use for initial chimney/flue warm up
4	High (Full On)	Fully On	—

OFF: Depress the Knob slightly turn clockwise to OFF and release Knob. If any resistance is experienced at the 1/IGN position release the Knob before turning to OFF.

3. COMMISSIONING

3.1.1 CHECK OPERATION OF CONTROLS

(a) IGNITION

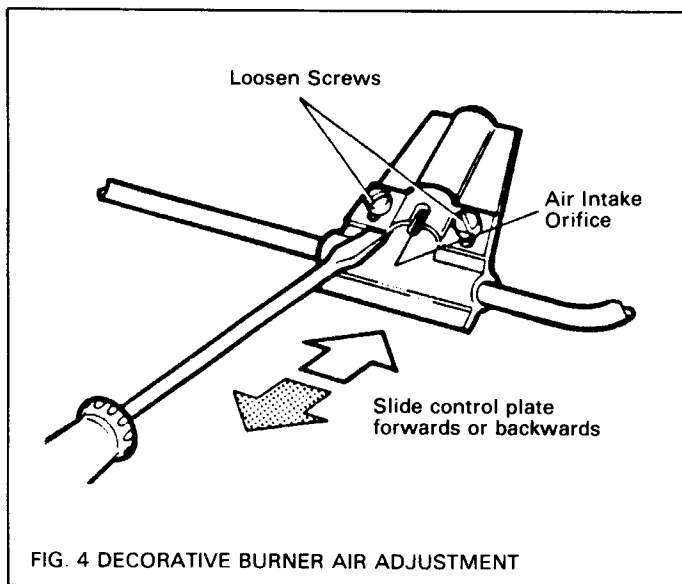
Ignition is by piezo-electric spark produced by the igniter push button adjacent to the control knob on top of the heater. NOTE: The small hole in the piezo-unit clamp bracket is equivalent to the control indicator mark on the outer casing. To ignite

- (i) Push in and turn the control knob counter-clockwise to the 1/IGN position. Hold the control knob down as far as it will go and wait for a few seconds.
- (ii) While still holding down the control knob, press the igniter button several times.
- (iii) Continue to hold down the control knob for a further five seconds, on releasing the control knob the heater should remain alight on low setting (main burner center section). If the burner does not ignite after ensuring that the air has been purged, check that the electrode gap is set as shown in Fig. 3.

3.1.2 DECORATIVE FLAME ADJUSTMENTS (fig. 4)

The decorative flame burner may need adjusting to suit the local supply gas. The adjustment procedure is as follows:-

- (a) Light the pilot and turn to setting number 4.
- (b) Leave on for 15 minutes.
- (c) Loosen the slotted screws fixing the air intake control plates located on the decorative flame burner nozzles.
- (d) Adjust the air intake by sliding the control plates forward or back using the tip of the screwdriver to give the correct flame pattern. There should be no appreciable deposit of carbon on the logs.
- (e) Retighten the screws.



3.2. Check the Gas Pressure

Burner aeration is non adjustable. The unit is pre-set to give the correct heat input on Natural Gas at the inlet pressure shown below. Maximum heat input is 20,000 Btu/hr. The burner manifold pressure is controlled by a regulator and should be checked at the pressure test point which is located immediately downstream of the regulator. The pressure check should be carried out with the unit burning and the control knob setting at 4. The pressure setting should be within the limits as shown below.

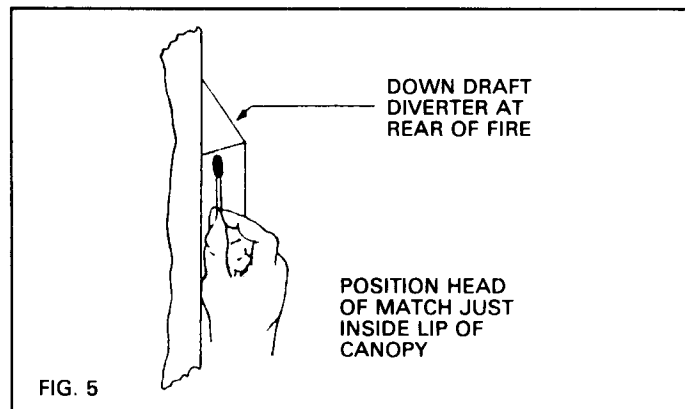
If in doubt - check gas rate at meter after 10 minutes of operation at maximum (Control position 4).

SYSTEM DATA	
For 0 to 4500 feet Altitude	
BURNER INLET ORIFICE SIZES:	
MAIN BURNER	
	Center Section: 0.045"
	Outer Section: 0.071"
DECORATIVE BURNER	
	Center Section: 0.03"
	Outer Section: 0.03"
INPUT RATING	20,000 Btu/h
OUTPUT CAPACITY	15,000 Btu/h
SUPPLY PRESSURE:	Maximum 7.0" w.c.
	Minimum 5.0" w.c.
MANIFOLD PRESSURE	3.5"±0.2" w.c.

3.3 Test for flue spillage. A "spillage" test must be made before the installed appliance is left with the customer. Carry it out in the following manner before replacing the outer casing.

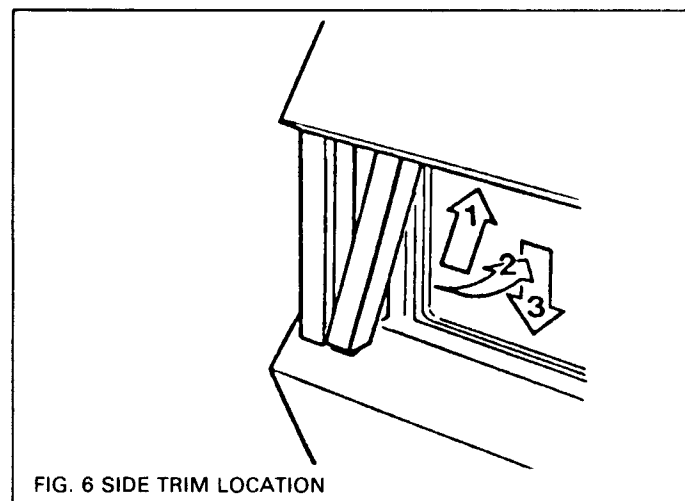
- (a) Close all door and windows in the room/start exhaust fans in home.

- (b) Light the unit and set controls at full fire (position 4).
- (c) After a few minutes, test with a smoke match that there is "pull" on the edge of the draft diverter (see Fig. 5). If the flue is blocked, or has strong reverse flow, the thermally actuated safety switch mounted in the draft diverter opening, will automatically shut off the gas supply within about 5 minutes.
- (d) If the heater turns off because of spillage, wait 10 minutes and try again. If the smoke is still not drawn into the draft diverter, turn the unit off and check the cause of lack of draft. If necessary, seek expert advice.



3.4. COMPLETE THE ASSEMBLY

- Re-locate the outer casing over the unit.
- Re-fit the wing screws in the bottom rear corners of the casing sides.
- Replace the trim on the casing ledge at bottom front of the window.
- Replace the left and right side window trims as follows (fig 6).
 - Insert the top of the trim inside the bottom lip of the casing hood (fig 6 arrow 1)
 - Push the trim flat against the window frame (fig 6 arrow 2)
 - Pull the trim down to the casing ledge to locate the trim over the window ledge and to trap the ledge trim in position. (fig 6 arrow 3)



3.5. FINAL OPERATION CHECK

Check that the heater is square with the wall and level.

Re-check the ignition and operate the heater on all settings. **MAKE SURE THAT THE USER KNOWS THAT:**

1. The control knob must be pressed in before turning counter-clockwise.
2. To light the heater the control knob must be turned to 1/IGN position and the ignition button depressed. Explain lighting sequence, and how to turn off.
3. In the event of the glass front panel being damaged **the heater should be turned off and not used until the glass is replaced.**
4. The window frame can be removed to re-set the logs if necessary but must be placed back in position. (Explain how to remove the window frame).
5. The fire may smell slightly for a period due to its newness.
6. It is recommended that the fire be serviced at least once a year.
7. The supply system has a shutoff valve (point out its location).

HAND OVER THE INSTRUCTION BOOKLETS TO THE OWNER.

4. VENTING CONNECTIONS

4.1 VENTING INTO SOLID FUEL BURNING FIREPLACES

- a. This heater may be connected to the chimney of a solid fuel fireplace that has been built and installed in accordance with the provincial or territorial building code recognized by the authority having jurisdiction, or in the absence of such a code, then in accordance with the National Building Code of Canada.
- b. Prior to installation, the chimney must be swept and checked for soundness.
- c. Install an approved chimney liner not larger than 4" diam. Use only a flue liner that is approved by the enforcing authority, and that is installed in accordance with the manufacturers instructions. If a flexible liner system is used, ensure that no sags or dips are allowed to occur where the liner connects to the heater (Fig. 7).

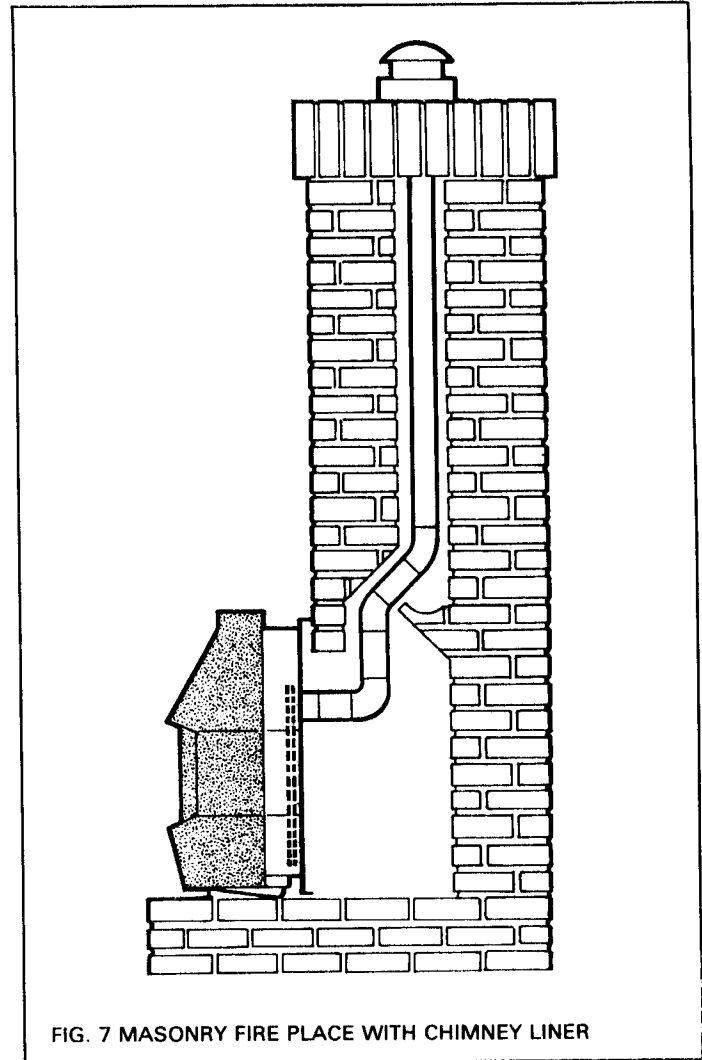
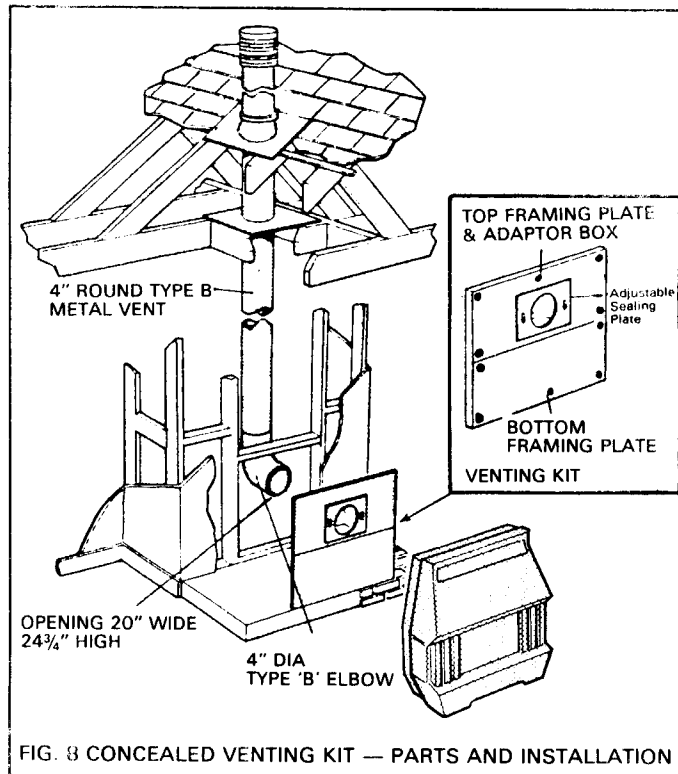


FIG. 7 MASONRY FIRE PLACE WITH CHIMNEY LINER

4.2. CONCEALED WALL VENT SYSTEM TYPE B VENT

4.2.1. DESCRIPTION

Part # 400 CONCEALED VENTING KIT allows the appliance to be installed with a Type B metal vent concealed behind a wall or partition and/or in a chase. The venting kit is designed for a 4" round flue, the kit is shown below (fig 8).



4.2.2. FRAMING

Using standard 2 x 4 construction, frame an opening for the framing plates allowing adequate depth behind the framing for the flue adaptor box and B Vent (minimum depth of enclosure from room side of framing to combustibles behind flue adaptor box is 12"). Framing dimensions for the opening are 20" wide by 24³/₄" high above the finished hearth★ level.

★ NOTE: This heater has been approved for installation on a hard surface combustible floor but it is recommended for aesthetic purposes and ease of maintenance that the heater be installed on a hearth finished with brick, ceramic tile, marble etc. Raising the hearth slightly will help to minimize dust and lint accumulation under the unit. Minimum hearth dimensions are 12" out from the framing plate by 32" wide. DO NOT PLACE THE HEATER ON VINYL FLOORING OR CARPET.

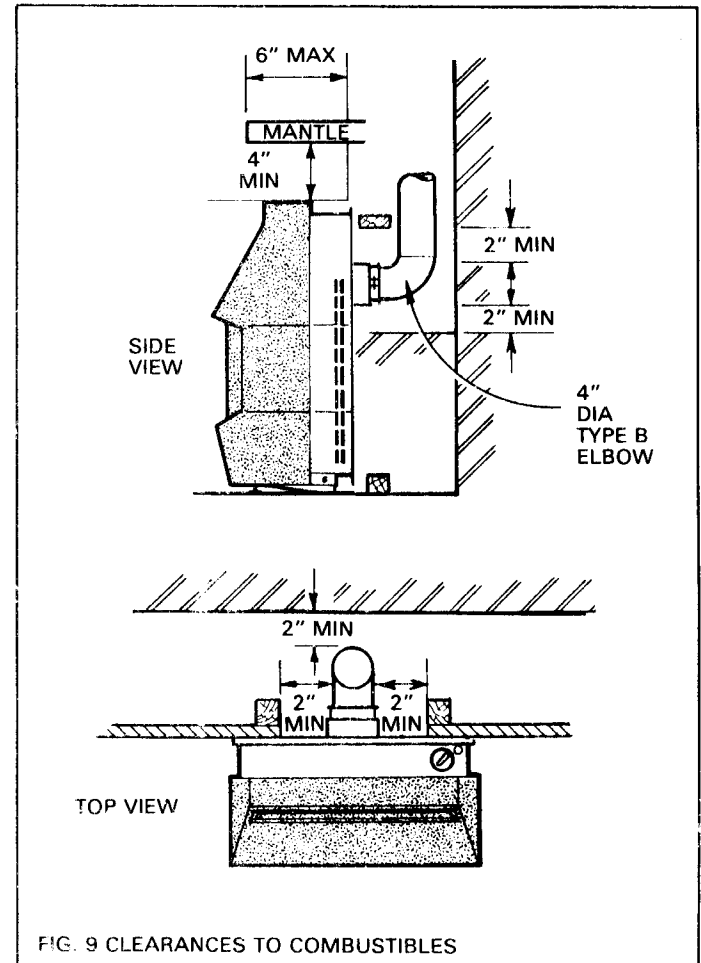
NOTE — Clearances to Combustibles

Outside edges of framing plate 0"
Any part of the Flue Adaptor Box 2"

Clearance to the connecting elbow is determined by the B149 Installation Code or the Authority having jurisdiction.

4.2.3. CLEARANCE TO COMBUSTIBLES

When installed, the **minimum** clearances to combustibles are shown below: (Fig. 9)



4.2.4. ATTACHMENT OF FRAMING PLATES & B VENT

1. Attach the bottom framing plate to the framing using 5- # 8 x 1¹/₄" wood screws. The bottom edge of the framing plate should be level with the top of the floor or hearth.
2. Place the top framing plate and flue adaptor box above the bottom plate and attach with 5- # 8 x 1¹/₄" wood screws.
3. Connect 4" Type B Vent Elbow to the outlet on the flue adaptor box and fasten securely using the clamping band.

4.2.5. FINAL FITTING

1. With the floor or hearth finished to its final elevation, push the heater in place and check alignment of the flue collar with the sealing plate. Adjust the sealing plate height, if necessary, by loosening the sealing plate fixing

screws and sliding the plate up or down as required (Maximum adjustment $\frac{9}{16}$ "). Tighten the screws after adjusting.

Replace the Heater against the framing plates with the flue collar fully through the sealing plate and proceed with gas piping, log assembly and start up as per instruction sections 2 & 3.

5. OPTIONAL POWER VENT CONVERSION KIT PART # 500PVC

An approved power vent conversion kit is available for use when a conventional chimney is not practical. Ask your Dealer for full details.