



Acumen Model K

Fireplace Remote Control-DC (350MHz)

Installation and Operation instructions :

The Acumen Model K Remote Control is designed for use with decorative gas fireplaces and wall heaters. The Remote Receiver can either be installed inside the fireplace or in a wall mount.

The Model K Transmitter is a five-button hand held transmitter, which turns the gas on/off or as a thermostat. The display of the transmitter shows the clock, current room temperature, target temperature, timer setting, on/off status and low battery indicator.

1 Installation Instruction

1.0 Installation Precautions

The Model K Remote Control is tested safe when installed in accordance with this installation manual. It is your responsibility to read all instructions before starting installation and to follow these instructions carefully during installation.

The Model K Remote Control **MUST** be installed by a qualified service technician.

The Model K Remote Control is carefully engineered and **MUST** be installed only as specified. If you modify it or any of its components, you may possibly cause a fire hazard.

All wiring should be done by a qualified electrician and shall be in compliance with local codes and with the National Electric Code ANSI/NFPA No. 70-current (In the United States), or with the current CAS C22.1 Canadian Electric Code (in Canada).

FCC Requirements

Warning: Changes or modifications to this unit not expressly approved by the party responsible for compliance could void the user's authority to operate the equipment. This equipment has been tested and found to comply with the limits for a Class B digital device, pursuant to Part 15 of the FCC Rules. These limits are designed to provide reasonable protection against harmful interference in a residential installation. This equipment generates, uses, and can radiate radio frequency energy and, if not installed and used in accordance with the instructions, may cause harmful interference to radio communications. However, there is no guarantee that interference will not occur in a particular installation. If this equipment does cause harmful interference to radio or television reception, which can be determined by turning the equipment off and on, the user is encouraged to try to correct the interference by one or more of the following measures:

- Reorient or relocate the receiver antenna.
- Increase the separation between the equipment and receiver.
- Connect the equipment into an outlet on a circuit different from that to which the receiver is connected.
- Consult the dealer or an experienced radio TV technician for help.

Canadian Equipment Requirements

This kit must be installed by a qualified technician.

All 110 VAC wiring must be done by a qualified electrician and shall be in compliance with local codes and the National Electric Code ANSI/NFPA No. 70 (in the United States), or with the current CSA C22.1 Canadian Electric Code (in Canada).

Do not connect 110 VAC to the gas control valve or on/off switch on gas heaters or the thermostat posts on pellet heaters.

WARNING : TURN OFF THE GAS SUPPLY TO THE FIREPLACE BEFORE INSTALLING THE REMOTE RECEIVER.

1. Make sure the slide switch on the Remote Receiver is at OFF position. See Figure 1.

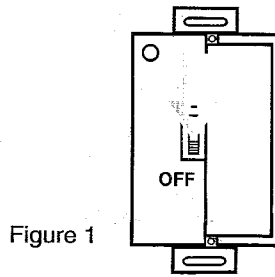


Figure 1

2. Connect the leads to millivolt generator and main burner to the output terminal of the Remote Receiver as shown in Figure 2 and 3. Use the extension cables if necessary.

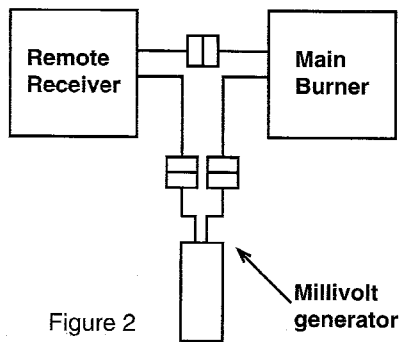


Figure 2

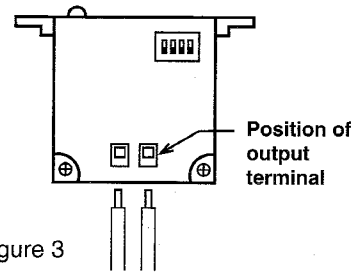


Figure 3

Installing the Remote Receiver to a Wall Mount :

1. Secure the Remote Receiver to the wall mount.
2. Use the screws provided to secure the face blade to the Remote Receiver. See Figure 4.

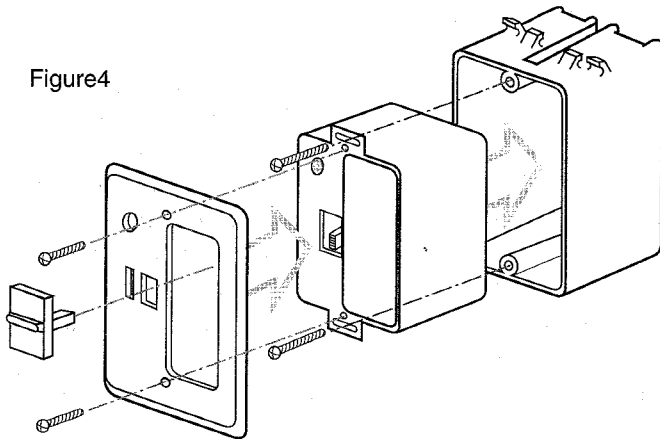


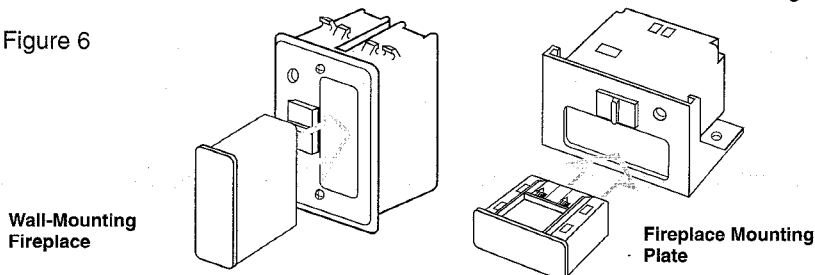
Figure 4

Installation of the Receiver to a Wall-Mount Unit

Installing the Remote Receiver to a Fireplace :

1. Secure the Fireplace Mounting plate to the base pan of the fireplace.
2. Slide the Remote Receiver into the fireplace mounting plate. See Figure 5.
3. Put the switch cap to the slide switch.
4. Slide the battery compartment into the Remote Receiver. See Figure 6.

Figure 6



Wall-Mounting Fireplace

Fireplace Mounting Plate

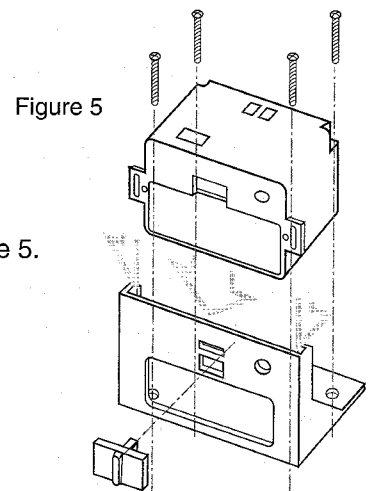
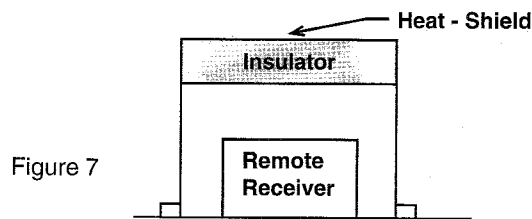


Figure 5

5. In order to prevent Remote Receiver (Fireplace Installation only) from overheating, put a Heat Shield (option item) above the Remote Receiver. See Figure 7.



Operation Instructions :

2.1 Transmitter Operation

The Model K Remote Control has 2 operating modes. They are : Auto and Timer. Use the and Down buttons to set the target temperature between 45°F and 90°F.

2.1.1 Settings

1. Press and hold Set button for about 2 seconds.
2. The hour display will flash. Use the Up and Down buttons to set hour.
3. Press the Set button again and the minute display will flash. Use the Up and Down buttons to set seconds.
4. Press the Set button again and the °F or °C display will flash. Use the Up to Down buttons to select the Remote Transmitter to display temperature °F or °C.
5. Press the Set button again after finishes setting.

2.1.2 Operating Modes

A. Auto Mode

1. Set the desire target temperature.
2. Press the Auto button once to activate the Auto Mode. In Auto Mode the Remote Transmitter will automatically turn on the fireplace when the room temperature is below the target temperature and turn off the fireplace when the room temperature is above the target temperature.
3. Press Auto On/Off button or Manual On/Off buttons to turn off the fireplace (if it is already on) and exit Auto Mode.

WARNING :

IT TAKES SOME TIME FOR THE RECEIVER TO RESPOND TO THE TRANSMITTER. DO NOT PRESS THE AUTO ON/OFF BUTTONS MORE THAN ONCE WITHIN 2 SECONDS FOR CORRECT OPERATION.

B. Timer Mode

1. You can set the timer to the length of time you want the fireplace to operate (1 to 120 minutes).
2. Press the "Set" button once. The Timer display "----" will blink.
3. Press the Up and Down buttons to set the timer. The LCD will display the time chosen.
4. The timer setting can be cancelled at any time by pressing the "Time Cancel" button.
5. Press Auto On/Off button to turn on the fireplace.
6. The fireplace will turn off at the end of the timer setting.

C. Child-Proof Function

1. Remove the cover at the back of the Remote Transmitter to expose the CHILD-PROOF switch.
2. Slide the CHILD-PROOF switch to position marked C/P to activate the CHILD-PROOF function. "Child-Proof" will appear on the LCD.
3. In CHILD-PROOF the Remote Transmitter will work normally except the buttons becomes in-operational.
4. Press the Up and Down buttons in the following sequence, Up-Down-Down-Up-Down, within 2 seconds button function will be temporarily restored. "Child-Proof" will disappear from the LCD.
5. If no button is pressed within 2 minutes, the Remote Transmitter will return to Child-proof function and "Child-Proof" will reappear on the LCD until the Child-Proof switch is moved back to the other position.

2.2 Receiver Operation

The Remote Receiver has 2 operating modes. They are On and Remote modes.

2.2.1 On Mode

1. In the On mode the Receiver will turn on the fireplace.
2. The Receiver will not respond to the Transmitter in the On mode. The user has to slide the slide switch to the Off or Remote position in order to turn off the fireplace.

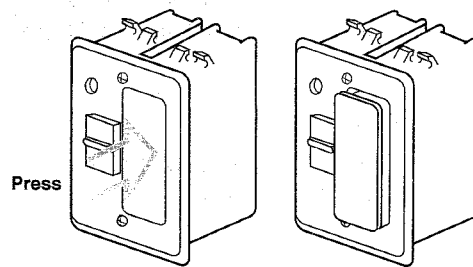
2.2.2 Remote Mode

1. The Receiver will respond to the Transmitter and turn the fireplace on and off.

2.3 Changing Batteries

1. Slide the slide switch to Off position.
2. Press the battery compartment slightly into the Remote Receiver and then release. The battery compartment will pop out of the Remote Receiver. Figure 8.

Figure 8



3. Slide open the battery door and replace batteries.
4. Replace the battery door and slide the battery compartment back into the Remote Receiver.

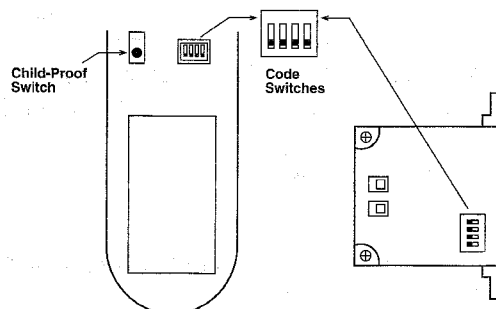
2.4 Batteries

1. The Remote Transmitter uses 3 AAA-size batteries. Replace these batteries at least once a year.
2. The Remote Receiver uses 4 AA-size batteries. Replace these batteries at least once every 1/2 year or when the low battery indicator flashes.
3. After you take out the batteries, wait for at least 1 minute before putting fresh batteries into the Remote Transmitter/Receiver.
4. Use only fresh alkaline batteries.

3. IMPORTANT SAFETY FEATURE

You can set a private code into your system to prevent accidental operation by another transmitter nearby. See Figure 9.

Figure 9



3.1 Coding Instructions

1. Remove the cover on the back of the Remote Transmitter and expose the code switches. Slide the code switches to your choice of ON or OFF position. FACTORY SETTING IS ALL 'OFF'.
2. There are also code switches on the Remote Receiver. Slide the code switches to exactly match the settings on the Remote Transmitter.
3. Replace the cover of the Remote Transmitter. The system is now ready to operate.