



# Regency Bellavista™ B36XT Gas Fireplace

## Owners & Installation Manual

MODEL: B36XT  
Medium DV Gas Fireplace



[www.regency-fire.com](http://www.regency-fire.com)

### WARNING:

If the information in these instructions are not followed exactly, a fire or explosion may result causing property damage, personal injury or loss of life.

### FOR YOUR SAFETY

Do not store or use gasoline or other flammable vapors and liquids in the vicinity of this or any other appliance.

Installation and service must be performed by a qualified installer, service agency or the gas supplier.

### FOR YOUR SAFETY

What to do if you smell gas:

- Do not try to light any appliance
- Do not touch any electrical switch: do not use any phone in your building.
- Immediately call your gas supplier from a neighbour's phone. Follow the gas supplier's instructions.
- If you cannot reach your gas supplier, call the fire department.

Tested by:



*Installer:* Please complete the details on the back cover and leave this manual with the homeowner.

*Homeowner:* Please keep these instructions for future reference.

**To the New Owner:**

Congratulations!

You are the owner of a state-of-the-art Gas Fireplace by REGENCY®. The Bellavista™ B36XT has been designed to provide you with all the warmth and charm of a wood fireplace at the flick of a switch. The Bellavista™ B36XT has been approved by Warnock Hersey/Intertek for both safety and efficiency. As it also bears our own mark, it promises to provide you with economy, comfort and security for many trouble free years to follow. Please take a moment now to acquaint yourself with these instructions and the many features of your Regency® Fireplace.

 **WARNING**




**HOT GLASS WILL  
CAUSE BURNS**

**DO NOT TOUCH GLASS  
UNTIL COOLED**

**NEVER ALLOW CHILDREN  
TO TOUCH GLASS**

**NATIONAL  
FIREPLACE  
INSTITUTE**  
**CERTIFIED**  
www.nficertified.org

We recommend that our products be installed and serviced by professionals who are certified in the U.S. by the National Fireplace Institute® (NFI) or in Canada by Wood Energy Technical Training (WETT).

**Wood Energy  
Technical Training**  
www.wettinc.ca



---



## **MANUFACTURED MOBILE HOME REQUIREMENTS**

### **INFORMATION FOR MOBILE/MANUFACTURED HOMES AFTER FIRST SALE**

This Regency® product has been tested and listed by Warnock Hersey as a Direct Vent Wall Furnace to the following standards: VENTED GAS FIREPLACE HEATERS ANSI Z21.88a-2007 / CSA 2.33a-2007 and GAS-FIRED APPLIANCES FOR USE AT HIGH ALTITUDES CAN / CGA 2.17-M91.

This Direct Vent System Appliance must be installed in accordance with the manufacturer's installation instructions and the Manufactured Home Construction and Safety Standard, Title 24 CFR, Part 3280, or the current Standard of Fire Safety Criteria for Manufactured Home Installations, Sites, and Communities ANSI/NFPA 501A, and with CAN/CSA Z240-MH Mobile Home Standard in Canada.

This appliance installation must comply with the manufacturer's installation instructions and local codes, if any. In the absence of local codes follow the current National Fuel Gas Code, ANSI Z223.1 and the current National Electrical Code ANSI/NFPA 70 in the U.S.A., and the current CAN/CGA B149 Gas Installation Code and the current Canadian Electrical Code CSA C22.1 in Canada.

This appliance comes equipped with a dedicated #8 Ground Lug for attachment of the ground wire to the steel chassis as applicable to local codes.

The appliance, when installed, must be electrically grounded in accordance with local codes or, in the absence of local codes, with the National Electrical Code, ANSI/NFPA 70, or the Canadian Electrical Code, CSA C22.1.

This appliance may only be installed in an aftermarket permanently located, manufactured (U.S.A only) or mobile home, where not prohibited by local codes.

This appliance can only be used with the type of gas indicated on the rating plate. This appliance is not convertible for use with other gases.

Ensure that structural members are not cut or weakened during installation.

# TABLE OF CONTENTS

## SAFETY LABEL

Copy of Safety Decal.....	5
---------------------------	---

## REQUIREMENTS

MA Code - CO Detector.....	6
----------------------------	---

## DIMENSIONS

Unit Dimensions .....	7
-----------------------	---

## INSTALLATION

Important Message .....	8
Before You Start .....	8
General Safety Information.....	8
Installation Checklist.....	9
Locating Your Gas Fireplace .....	9
Clearances .....	10
Mantel Clearances.....	11
Mantel Leg Clearances.....	12
Non- Combustible Requirements: .....	12
Framing .....	13
Finishing .....	14
Unit Assembly Prior to Installation.....	15
Venting Introduction.....	17
Vent Restrictor, Baffle & Heat Deflector Installation ....	18
Exterior Vent Termination Requirements.....	19
Venting Arrangements horizontal terminations.....	24
Flex Vent or RIGID PIPE 5" x 8" .....	24
Horizontal Terminations .....	25
Flex Vent 5" x 8" .....	25
RIGID PIPE 5" x 8" .....	26
AstroCap XL & Rigid rear vent kit corner installations .	27
Rigid pipe 5" x 8" .....	27
Venting arrangements Horizontal Terminations ...	28
RIGID PIPE 4" x 6-5/8".....	28
Horizontal or vertical terminationS.....	29
Rigid pipe 4" x 6-5/8" .....	29
Horizontal terminations.....	30
Two (2) 90° Elbows (Rigid Pipe 4" x 6 - 5/8") .....	30
Horizontal terminations.....	30
Three (3) 90° Elbows (Rigid Pipe 4" x 6 - 5/8").....	30
venting arrangements For Vertical TerminationS.	31
RIGID PIPE 4" x 6-5/8" .....	31
Vertical terminations .....	32
Three (3) 90° Elbows (Rigid Pipe 4" x 6 - 5/8").....	32
venting arrangements .....	33
With Co-linear Flex System .....	33
Vertical Terminations .....	34
Co-linear Flex System Into Masonry Fireplaces .	34
Unit Installation with Horizontal Termination .....	35
4" x 6-5/8" or 5" x 8" venting.....	35

Unit Installation with Horizontal Termination .....	36
5" x 8" venting unit installation w/ Vertical Termination	37
4" x 6-5/8" venting .....	37
Gas Line Installation .....	37
Pilot Adjustment.....	38
High Elevation .....	38
Gas Pipe Pressure Testing .....	38
S.I.T. Valve Description.....	38
Conversion from NG to LP .....	39
DC Sparker battery replacement.....	41
Brick panel installation.....	42
Optional stainless steel / black enamel .....	43
Log set installation.....	45
Optional Wall Thermostat .....	48
Optional Remote Control.....	48
Optional Wall Switch.....	48
Optional Fan installation.....	49
Aeration Adjustment .....	50
Wiring Diagram.....	50
Wiring diagram for GTMF remote.....	51
Optional accent light Installation.....	53
Flush glass door Installation .....	56
Optional finishing trim Installation.....	57
Flush Louvers and Flush Panel installation .....	57
Full Screen Arch Door and Frame Installation.....	58

## OPERATING INSTRUCTIONS

Operating Instructions .....	59
First Fire .....	59
Lighting Procedure .....	59
Shutdown Procedure.....	59
Normal Operating Sounds of Gas Appliances .....	59
Copy of Lighting Plate Instructions .....	60

## MAINTENANCE

Maintenance Instructions.....	61
Log Replacement .....	61
Thermopile / Thermocouple.....	61
Bulb Replacement .....	61
Removing Valve.....	62
Installing Valve.....	62

## PARTS LIST

Main Assembly .....	63
Burner Assembly .....	65

## WARRANTY

The Warranty: Limited Lifetime .....	67
--------------------------------------	----

This is a copy of the label that accompanies each Bellavista™ B36XT Direct Vent Gas Fireplace. We have printed a copy of the contents here for your review.

**NOTE:** Regency® units are constantly being improved. Check the label on the unit and if there is a difference, the label on the unit is the correct one.

## COPY OF SAFETY DECAL

Duplicate S/N

353



**Listed:** VENTED GAS FIREPLACE HEATER / FOYER AU GAZ À ÉVACUATION  
**Certified for/Certifiée pour:** CANADA and U.S.A.  
**Tested to:** CAN/CGA-2.17-M91, ANSI Z21.88a-2007/CSA 2.33a-2007  
**4001172**  
**MAY BE INSTALLED IN MANUFACTURED (MOBILE) HOMES AFTER FIRST SALE.**



Serial No./ No de serie

353

**DO NOT REMOVE THIS LABEL / NE PAS ENLEVER CETTE ÉTIQUETTE**

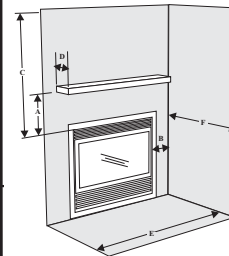
**NATURAL GAS: Model B36XT-NG**

Minimum supply pressure	5.0"	WC/C.E.	(1.25 kPa)
Manifold pressure high	3.5"	WC/C.E.	(0.87 kPa)
Manifold pressure low	1.6"	WC/C.E.	(0.40 kPa)
Orifice size	# 35	DMS	
Minimum input	21,500	Btu/h	(6.3 kW)
Maximum input	31,000	Btu/h	(9.09 kW)
Altitude	0-4500	ft/pi	(0-1372 m)

**APPAREIL FONCTIONNANT AU NATURAL GAS  
 CONCU POUR ETRE POELE: Modèle B36XT-NG**

Pression d'alimentation minimum  
 Pression à la tubulure d'échappement élevée  
 Pression à la tubulure d'échappement basse  
 Grandeur de l'injecteur  
 Débit Calorifique minimum selon  
 Débit Calorifique maximum selon  
 l'altitude

**Minimum Clearances to Combustibles /  
 Degagement Minimum De Materiaux Combustibles**  
**0" Clearance to combustibles from:**  
 Top, sides, bottom and rear of unit



**Mantel Clearances from  
 Fireplace Opening:**  
 (A) Min. 13" (330mm)

**Side Wall Clearance  
 from Fireplace Opening**  
 B) Min. 12" (305mm) (on one side)

**Ceiling from Top of  
 Fireplace Opening:**  
 C) 36-3/4" (933mm)

**Mantel Depth:**  
 D) Max. 12" (304mm)

**Alcove Clearances:**  
 E) Min. Width 84" (2134mm),  
 F) Max. Depth 36" (914mm)

**Minimum Vent Clearances:**  
 Horizontal Top 2" (51mm)  
 Horizontal Side 1-1/2" (38mm)  
 Horizontal Bottom 1-1/2" (38mm)  
 Vertical Vent 1-1/2" (38mm)

**DOOR SEAL: Please  
 check that the door is  
 properly sealed**

(See Instruction Manual for  
 detailed instructions)

**PROPANE GAS: Model B36XT-LP**

Minimum supply pressure	11"	WC/C.E.	(2.74 kPa)
Manifold pressure high	10"	WC/C.E.	(2.49 kPa)
Manifold pressure low	6.4"	WC/C.E.	(1.60 kPa)
Orifice size	# 51	DMS	
Minimum input	25,000	Btu/h	(7.33 kW)
Maximum input	31,000	Btu/h	(9.09 kW)
Altitude	0-4500	ft/pi	(0-1372 m)

**ÉQUIPÉ A L'UISINE POUR GAZ PROPANE  
 CONCU POUR ETRE POELE: Modèle B36XT-LP**

Pression d'alimentation minimum  
 Pression à la tubulure d'échappement élevée  
 Pression à la tubulure d'échappement basse  
 Grandeur de l'injecteur  
 Débit Calorifique minimum selon  
 Débit Calorifique maximum selon  
 l'altitude

This appliance must be installed in accordance with local codes, if any; if none, follow the National Fuel Gas Code, ANSI Z223.1, or Natural Gas and Propane Installation Code, CSA B149.1. This appliance must be installed in accordance with the Standard CAN/CSA Z240 MH, Mobile Housing, in Canada, or with the Manufactured Home Construction and Safety Standard, Title 24 CFR, Part 3280, in the United States, or when such a standard is not applicable, ANSI/NCSBCS A225.1/NFPA 501A, Manufactured Home Installations Standard or ANSI A119.2 ou NFPA 501C Standard for Recreational Vehicles. This appliance is only for use with the type of gas indicated on the rating plate and may be installed in an aftermarket, permanently located, manufactured (mobile) home where not prohibited by local codes. See owner's manual for details. This appliance is not convertible for use with other gases, unless a certified kit is used. (Kit #556-969). Fan Part # 576-917.

Installer l'appareil selon les codes ou règlements locaux, ou, en l'absence de tels règlements, selon les codes d'installation ANSI Z223.1, National Fuel Gas Code ou CSA-B149.1 en vigueur. Installer l'appareil selon la norme CAN/CSA-Z240, Série MM, Maisons mobiles ou CAN/CSA-Z240 VC, Véhicules de camping, ou la norme 24 CFR Part 3280, Manufactured Home Construction and Safety Standard. Si ces normes ne sont pas pertinentes, utilisez la norme ANSI/NCSBCS A225.1/NFPA 501A, Manufactured Home Installations Standard, ou ANSI A119.2 ou NFPA 501C Standard for Recreational Vehicles.

Cet appareil doit être utilisé uniquement avec le type de gaz indiqué sur la plaque signalétique. Cet appareil peut être installé dans une maison préfabriquée ou mobile (É.-U. seulement) installée à demeure si les règlements locaux le permettent. Voir la notice de l'utilisateur pour plus de renseignements. Cet appareil ne peut pas être utilisé avec d'autres gaz sauf si une trousse de conversion certifiée est fournie.

**This vented gas fireplace heater is not for use with air filters.**

**Ne pas utiliser de filtre à air avec ce foyer au gaz à évacuation.**

**FOR USE WITH GLASS DOORS CERTIFIED WITH THE APPLIANCE ONLY**

**POUR UTILISATION UNIQUEMENT AVEC LES PORTES EN VERRE CERTIFIÉES AVEC L'APPAREIL**

Electrical supply/Électricité 115VAC, 1.13 A, 60Hz.

Made in Canada/ Fabrique au Canada

**NOT FOR USE WITH SOLID FUELS. / NE PAS UTILISER AVEC DU COMBUSTIBLE SOLIDE.**

**FPI Fireplace Products International Ltd. Delta, BC, Canada**

918-763b

For the State of Massachusetts, installation and repair must be done by a plumber or gas fitter licensed in the Commonwealth of Massachusetts.

For the State of Massachusetts, flexible connectors shall not exceed 36 inches in length.

For the State of Massachusetts, the appliances individual manual shut-off must be a t-handle type valve.

The State of Massachusetts requires the installation of a carbon monoxide alarm in accordance with NFPA 720 and a CO alarm with battery back up in the same room where the gas appliance is installed.

# REQUIREMENTS

## MA Code - CO Detector (for the State of Massachusetts only)

### 5.08: Modifications to NFPA-54, Chapter 10

(2) Revise 10.8.3 by adding the following additional requirements:

(a) For all side wall horizontally vented gas fueled equipment installed in every dwelling, building or structure used in whole or in part for residential purposes, including those owned or operated by the Commonwealth and where the side wall exhaust vent termination is less than seven (7) feet above finished grade in the area of the venting, including but not limited to decks and porches, the following requirements shall be satisfied:

1. **INSTALLATION OF CARBON MONOXIDE DETECTORS.** At the time of installation of the side wall horizontal vented gas fueled equipment, the installing plumber or gasfitter shall observe that a hard wired carbon monoxide detector with an alarm and battery back-up is installed on the floor level where the gas equipment is to be installed. In addition, the installing plumber or gasfitter shall observe that a battery operated or hard wired carbon monoxide detector with an alarm is installed on each additional level of the dwelling, building or structure served by the side wall horizontal vented gas fueled equipment. It shall be the responsibility of the property owner to secure the services of qualified licensed professionals for the installation of hard wired carbon monoxide detectors

a. In the event that the side wall horizontally vented gas fueled equipment is installed in a crawl space or an attic, the hard wired carbon monoxide detector with alarm and battery back-up may be installed on the next adjacent floor level.

b. In the event that the requirements of this subdivision can not be met at the time of completion of installation, the owner shall have a period of thirty (30) days to comply with the above requirements; provided, however, that during said thirty (30) day period, a battery operated carbon monoxide detector with an alarm shall be installed.

2. **APPROVED CARBON MONOXIDE DETECTORS.** Each carbon monoxide detector as required in accordance with the above provisions shall comply with NFPA 720 and be ANSI/UL 2034 listed and IAS certified.

3. **SIGNAGE.** A metal or plastic identification plate shall be permanently mounted to the exterior of the building at a minimum height of eight (8) feet above grade directly in line with the exhaust vent terminal for the horizontally vented gas fueled heating appliance or equipment. The sign shall read, in print size no less than one-half (1/2) inch in size, "**GAS VENT DIRECTLY BELOW. KEEP CLEAR OF ALL OBSTRUCTIONS**".

4. **INSPECTION.** The state or local gas inspector of the side wall horizontally vented gas fueled equipment shall not approve the installation unless, upon inspection, the inspector observes carbon monoxide detectors and signage installed in accordance with the provisions of 248 CMR 5.08(2)(a)1 through 4.

(b) **EXEMPTIONS:** The following equipment is exempt from 248 CMR 5.08(2)(a)1 through 4:

1. The equipment listed in Chapter 10 entitled "Equipment Not Required To Be Vented" in the most current edition of NFPA 54 as adopted by the Board; and

2. Product Approved side wall horizontally vented gas fueled equipment installed in a room or structure separate from the dwelling, building or structure used in whole or in part for residential purposes.

(c) **MANUFACTURER REQUIREMENTS - GAS EQUIPMENT VENTING SYSTEM PROVIDED.** When the manufacturer of Product Approved side wall horizontally vented gas equipment provides a venting system design or venting system components with the equipment, the instructions provided by the manufacturer for installation of the equipment and the venting system shall include:

1. Detailed instructions for the installation of the venting system design or the venting system components; and

2. A complete parts list for the venting system design or venting system.

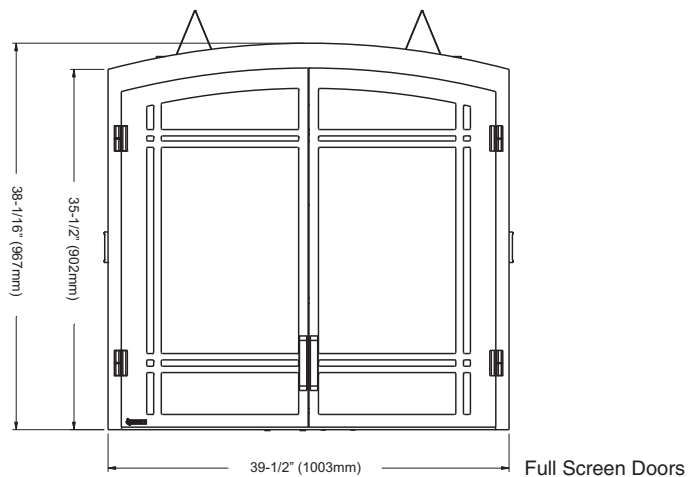
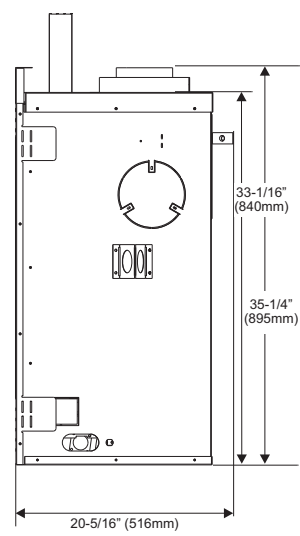
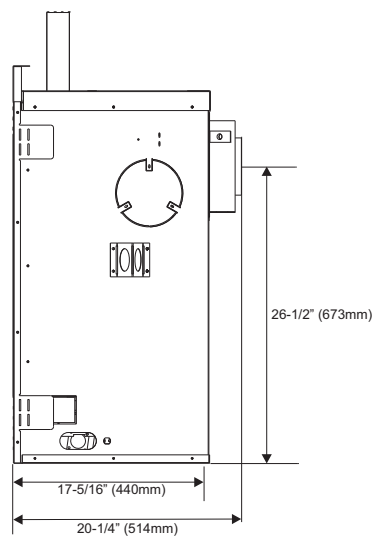
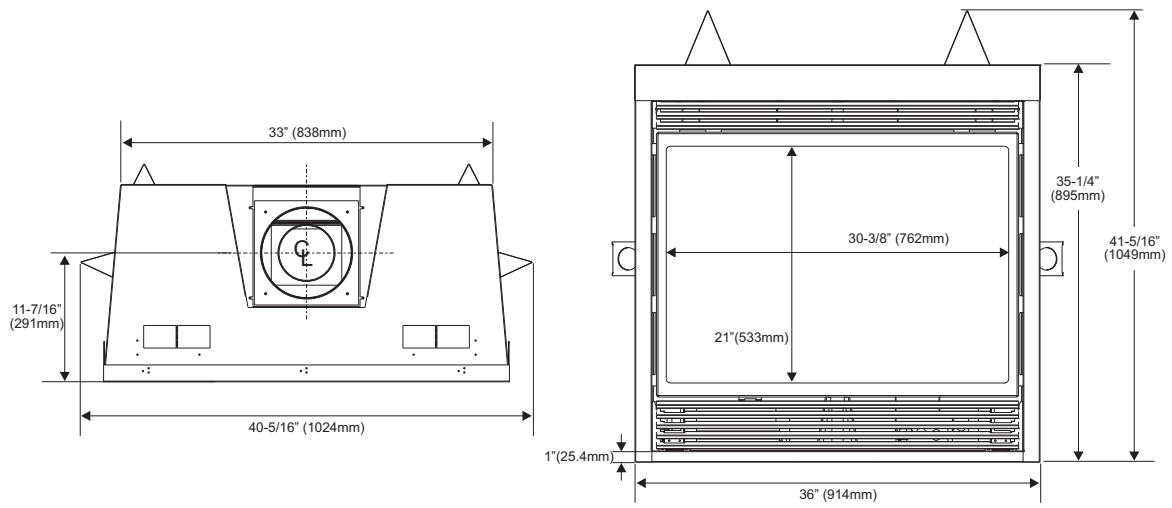
(d) **MANUFACTURER REQUIREMENTS - GAS EQUIPMENT VENTING SYSTEM NOT PROVIDED.** When the manufacturer of a Product Approved side wall horizontally vented gas fueled equipment does not provide the parts for venting the flue gases, but identifies "special venting systems", the following requirements shall be satisfied by the manufacturer:

1. The referenced "special venting system" instructions shall be included with the appliance or equipment installation instructions; and

2. The "special venting systems" shall be Product Approved by the Board, and the instructions for that system shall include a parts list and detailed installation instructions.

(e) A copy of all installation instructions for all Product Approved side wall horizontally vented gas fueled equipment, all venting instructions, all parts lists for venting instructions, and/or all venting design instructions shall remain with the appliance or equipment at the completion of the installation.

## UNIT DIMENSIONS



# INSTALLATION

## IMPORTANT MESSAGE SAVE THESE INSTRUCTIONS

The B36XT Gas Fireplace must be installed in accordance with these instructions. Carefully read all the instructions in this manual first. Consult the "authority having jurisdiction" to determine the need for a permit prior to starting the installation. It is the responsibility of the installer to ensure this fireplace is installed in compliance with manufacturers instructions and all applicable codes.

### BEFORE YOU START

Safe installation and operation of this appliance requires common sense, however, we are required by the Canadian Safety Standards and ANSI Standards to make you aware of the following:

**INSTALLATION AND REPAIR SHOULD BE DONE BY AN AUTHORIZED SERVICE PERSON. THE APPLIANCE SHOULD BE INSPECTED BEFORE USE AND AT LEAST ANNUALLY BY A PROFESSIONAL SERVICE PERSON. MORE FREQUENT CLEANING MAY BE REQUIRED DUE TO EXCESSIVE LINT FROM CARPETING, BEDDING MATERIAL, ETC. IT IS IMPERATIVE THAT CONTROL COMPARTMENTS, BURNERS AND CIRCULATING AIR PASSAGEWAYS OF THE APPLIANCE BE KEPT CLEAN.**

**DUE TO HIGH TEMPERATURES, THE APPLIANCE SHOULD BE LOCATED OUT OF TRAFFIC AND AWAY FROM FURNITURE AND DRAPERIES.**

**WARNING: FAILURE TO INSTALL THIS APPLIANCE CORRECTLY WILL VOID YOUR WARRANTY AND MAY CAUSE A SERIOUS HOUSE FIRE.**

**CHILDREN AND ADULTS SHOULD BE ALERTED TO THE HAZARDS OF HIGH SURFACE TEMPERATURES, ESPECIALLY THE FIREPLACE GLASS, AND SHOULD STAY AWAY TO AVOID BURNS OR CLOTHING IGNITION.**



**YOUNG CHILDREN SHOULD BE CAREFULLY SUPERVISED WHEN THEY ARE IN THE SAME AREA AS THE APPLIANCE. TODDLERS, YOUNG CHILDREN AND OTHERS MAY BE SUSCEPTIBLE TO ACCIDENTAL CONTACT BURNS. A PHYSICAL BARRIERS IS RECOMMENDED IF THERE ARE AT RISK INDIVIDUAL IN THE HOUSE. TO RESTRICT ACCESS TO A FIREPLACE OR STOVE, INSTALL AN ADJUSTABLE SAFETY GATE TO KEEP TODDLERS, YOUNG CHILDREN AND OTHER AT RISK INDIVIDUALS OUT OF THE ROOM AND AWAY FROM HOT SURFACES.**

**CLOTHING OR OTHER FLAMMABLE MATERIAL SHOULD NOT BE PLACED ON OR NEAR THE APPLIANCE.**

### GENERAL SAFETY INFORMATION

- 1) The appliance installation must conform with local codes or, in the absence of local codes, with the current Canadian or National Gas Codes, CAN1-B149 or ANSI Z223.1 Installation Codes.
- 2) The appliance when installed, must be electrically grounded in accordance with local codes, or in the absence of local codes with the current National Electrical Code, ANSI/NFPA 70 or CSA C22.1 Canadian Electrical Code.
- 3) See general construction and assembly instructions. The appliance and vent should be enclosed.
- 4) This appliance must be connected to the specified vent and termination cap to the outside of the building envelope. Never vent to another room or inside a building. Make sure that the vent is fitted as per Venting instructions.
- 5) Inspect the venting system annually for blockage and any signs of deterioration.
- 6) Venting terminals shall not be recessed into a wall or siding.
- 7) Any safety glass removed for servicing must be replaced prior to operating the appliance.
- 8) To prevent injury, do not allow anyone who is unfamiliar with the operation to use the fireplace.

- 9) Wear gloves and safety glasses for protection while doing required maintenance.
- 10) Be aware of electrical wiring locations in walls and ceilings when cutting holes for termination.
- 11) Under no circumstances should this appliance be modified. Parts that have to be removed for servicing should be replaced prior to operating this appliance.
- 12) Installation and any repairs to this appliance should be done by a qualified service person. A professional service person should be called to inspect this appliance annually. Make it a practice to have all of your gas appliances checked annually.
- 13) Do not slam shut or strike the glass door.
- 14) Under no circumstances should any solid fuels (wood, paper, cardboard, coal, etc.) be used in this appliance.
- 15) The appliance area must be kept clear and free of combustible materials, (gases and other flammable vapours and liquids).

Emissions from burning wood or gas could contain chemicals known to the State of California to cause cancer, birth defects or other reproductive harm.



## INSTALLATION CHECKLIST

- 1) Locate appliance
  - a) Room location (Refer to "Locating Your Gas fireplace" section)
  - b) Clearances to Combustibles (Refer to "Clearances" section)
  - c) Mantle Clearances (Refer to "Combustible Mantel Clearances" section)
  - d) Framing & Finishing Requirements (Refer to "Framing & Finishing" section)
  - e) Venting Requirements (Refer to "Venting" section)
- 2) Assemble Top Standoffs and Top Facing Support and Side Nailing Strips (Refer to "Unit Assembly Prior to Installation" Section).  
NOTE: Must be done before installing unit into place.
- 3) Install vent (Refer to "Venting" sections).
- 4) Make gas connections. Test the pilot. Must be as per diagram (Refer to "Pilot Adjustment" section).  
  
Convert to propane if desired (Refer to "Gas Line Installation" and "Conversion Kit from NG to LPG" sections).
- 5) Make electrical connections to receptacle supplied with unit (recommended).
- 6) Install standard and optional features. Refer to the following sections:
  - a. Inner/Brick Panels (Optional)
  - b. Log Set Installation
  - c. Standard Flush Door
  - d. Remote Control (Optional)
  - e. Wall Switch
  - f. Wall Thermostat (Optional)
  - g. Fan Installation (Optional)
  - h. Light Installation (Optional)
- 7) Final check.

### This includes:

- 1) Locking the appliance to ensure the correct firing rate (rate noted on label 31,000 Btu/h, after burning appliance for 15 minutes.
- 2) If required, adjusting the primary air to ensure that the flame does not carbon. First allow the unit to burn for 15-20 min. to stabilize.

**CAUTION: Any alteration to the product that causes sooting or carboning that results in damage is not the responsibility of the manufacturer.**

- 4) This appliance is Listed for bedroom installations using the standard Remote (millivolt thermostat system). Some areas may have further requirements, check local codes before installation.
- 5) The B36XT Gas Fireplace are approved for alcove installations, see "Clearances" section for details.
- 6) We recommend that you plan your installation on paper using exact measurements for clearances and floor protection before actually installing this appliance. Have an authorized inspector, dealer, or installer review your plans before installation.

**Note: For vent terminations refer to "Exterior Vent Termination Locations" section.**

## LOCATING YOUR GAS FIREPLACE

- 1) When selecting a location for your fireplace, ensure that the clearances are met.
- 2) The appliance must be installed on a flat, solid, continuous surface. For example a wood, metal or concrete floor or in a raised (on the wall) application. The appliance must be installed on a metal or wood panel extending the full width and depth of the appliance.
- 3) The B36XT Gas Fireplace can be installed in a recessed position or framed out into the room as in A, B, C and D. See Diagram 1.

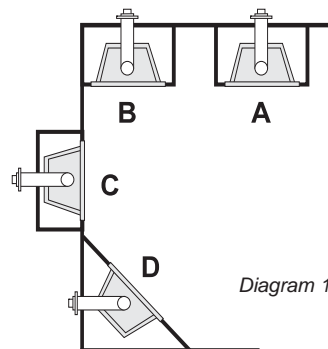


Diagram 1

- A) Flat on Wall
- B) Flat on Wall Corner
- C) Recessed into Wall/Alcove
- D) Corner

# INSTALLATION

## CLEARANCES

The clearances listed below are Minimum distances unless otherwise stated:

A major cause of chimney related fires is failure to maintain required clearances (air space) to combustible materials. It is of the greatest importance that this fireplace and vent system be installed only in accordance with these instructions.

### Caution Requirements

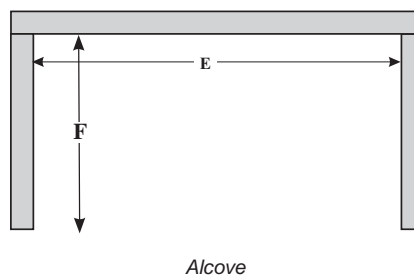
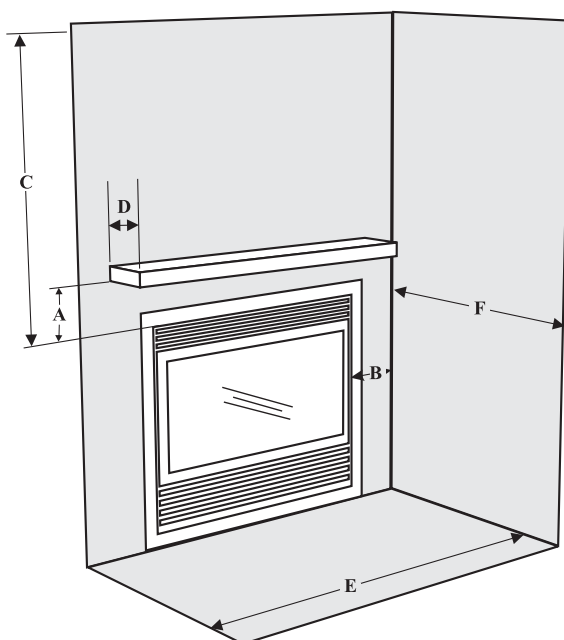
The top, back and sides of the fireplace are defined by standoffs. The metal ends of the standoff may **NOT** be recessed into combustible construction.

### WARNING

Fire hazard is an extreme risk if these clearances (air space) to combustible materials are not adhered to. It is of greatest importance that this fireplace and vent system be installed only in accordance with these instructions.

### B36XT Clearance Requirements

Clearance:	Dimension	Measured From:
<b>A: Mantel Height (min.)</b>	13" (330mm)	Top of Fireplace Opening
<b>B: Sidewall</b>	12" (304mm) one side only	Side of Fireplace Opening
<b>C: Ceiling</b>	36-3/4" (933mm)	Top of Fireplace Opening
<b>D: Mantel Depth (max.)</b>	12" (304mm)	21" (533mm) from Top of Fireplace Opening
<b>E: Alcove Width</b>	84" (2134mm)	Wall to Wall (Minimum)
<b>F: Alcove Depth</b>	36" (914mm)	Front to Back Wall (Maximum)
<b>Notes:</b>	0"	No Hearth Required



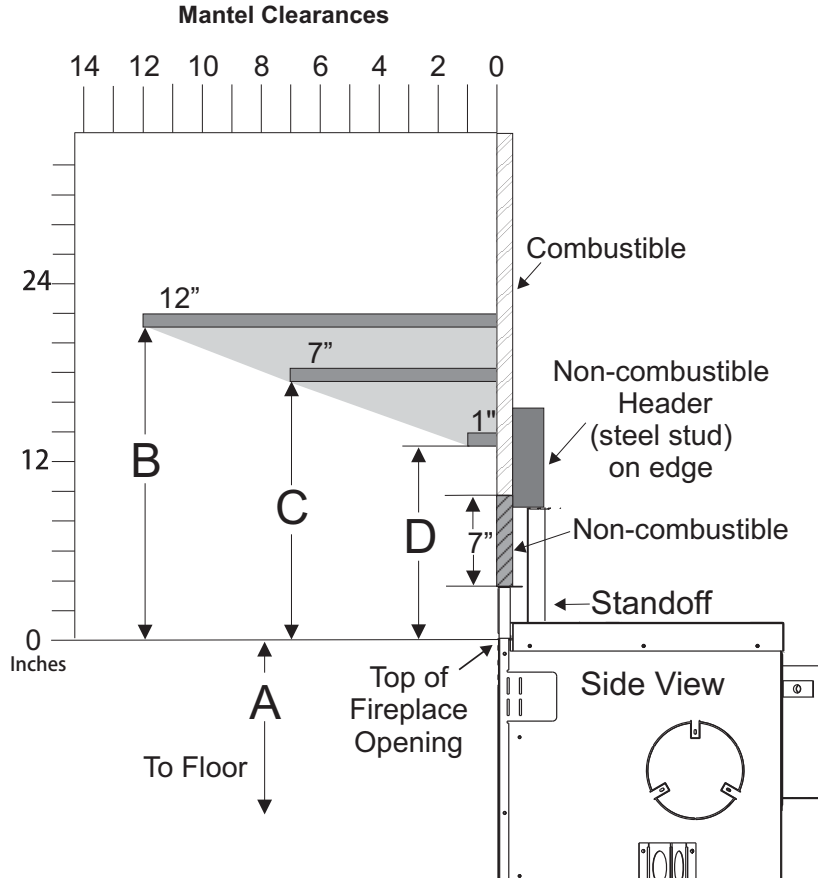
### Minimum Vent Clearances to Combustibles

Horizontal Top	2" (51mm)
Horizontal Side	1-1/2" (38mm)
Horizontal Bottom	1-1/2" (38mm)
Vertical Vent	1-1/2" (38mm)

**MANTEL CLEARANCES**

Due to the extreme heat this fireplace emits, the mantel clearances are critical. Combustible mantel clearances from top of front facing are shown in the diagram on the right.

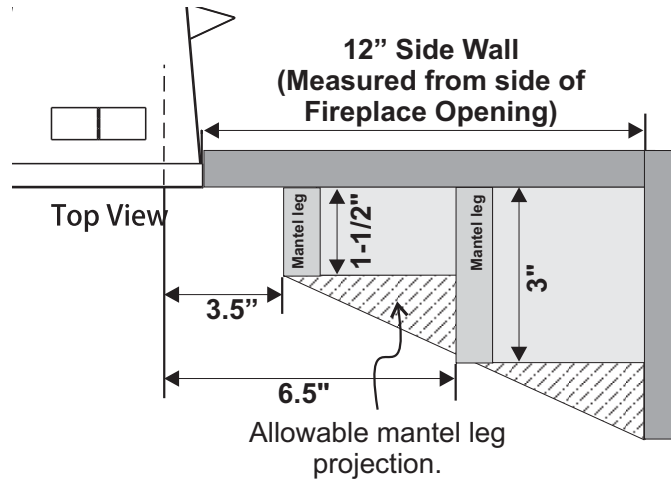
Note: A non-combustible mantel may be installed at a lower height if the framing is made of metal studs covered with a non-combustible board.



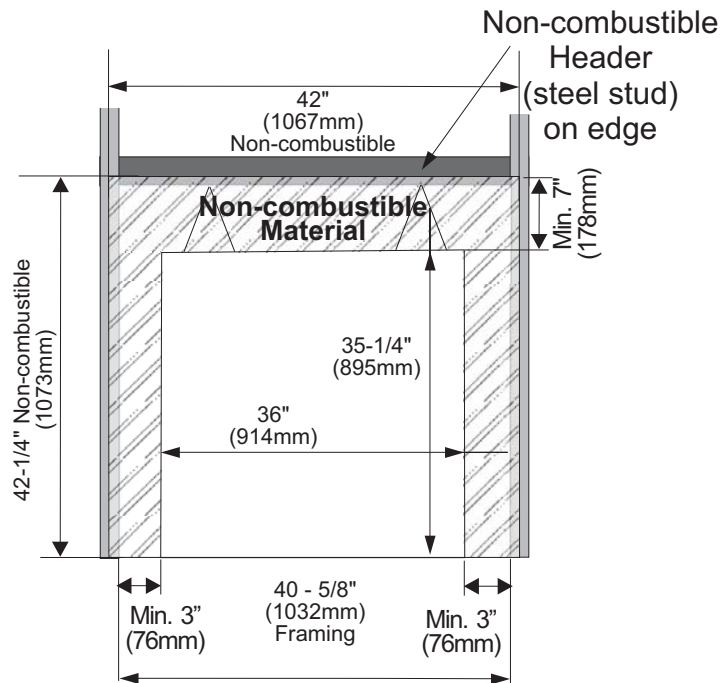
Mantel Clearances B36XT	A	B	C	D
From Top of Fireplace Opening	32" (813mm)	21" (533mm)	17-1/2" (445mm)	13" (330mm)

Note: Ensure the paint that is used on the mantel and the facing is "heat resistant" or the paint may discolour.

## MANTEL LEG CLEARANCES



## NON-COMBUSTIBLE REQUIREMENTS:

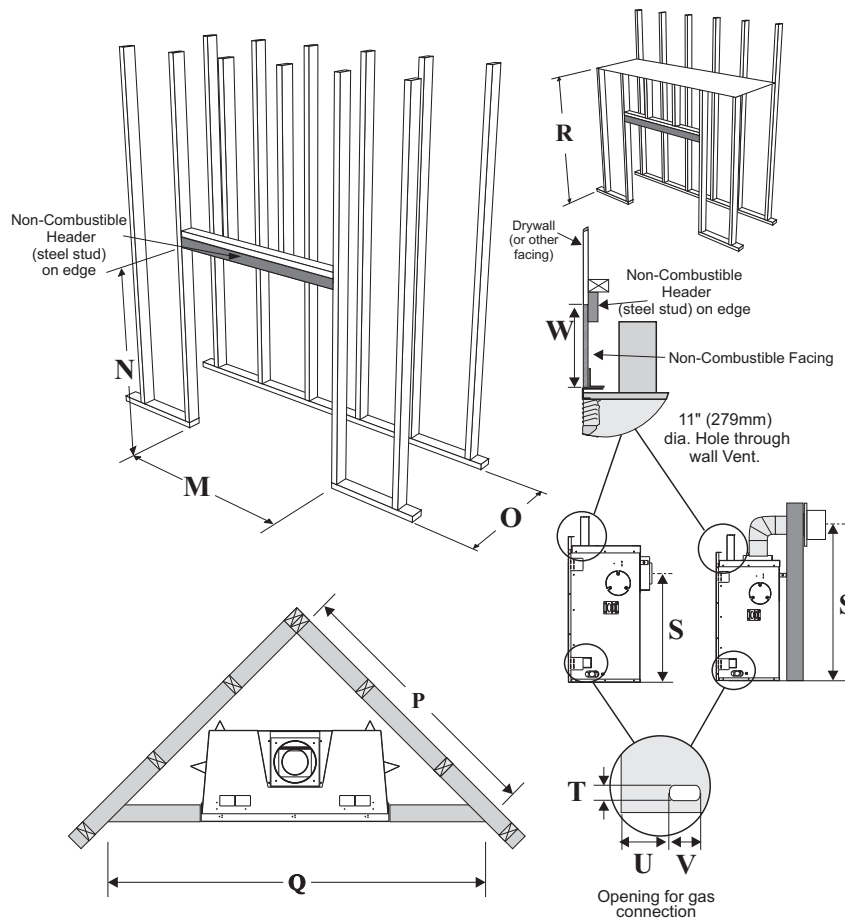


See framing dimensions on next page.

## FRAMING

Framing Dimensions	Description	B36XT	
M	Framing Width	40-5/8" (1032mm)	
N	Framing Height	42" (1067mm)	
O (Rear Vent)	Framing Depth - Rear Vent	20-3/4" (527mm)	
O (Top Vent)	Framing Depth - Top Vent	20-1/2" (521)	
P (Top Vent)	Corner Facing Wall Width	48 - 5/8" (1235mm)	
P (Rear Vent)	Corner Facing Wall Width	53" (1346mm) AstroCapXL 61-1/2" (1562mm) - other approved caps	
Q (Top Vent)	Corner Facing Wall Width	68-3/4" (1746mm)	
Q (Rear Vent)	Corner Facing Wall Width	75" (1905mm) AstroCapXL 87" (2209mm) - other approved caps	
R (Rear Vent)	Framed Chase Ceiling - Rear	41-12" (1054mm)	
R (Top Vent)	Framed Chase Ceiling - Top	50-1/2" (1283mm)	
S (Rear Vent)	Vent Centerline Height - Rear	26-1/2" (673mm)	
S (Top Vent) (5" x 8")	Vent Centerline Height - Top	42-1/8" (1070mm) Flex	44-1/4" (1123mm) Rigid
S (Top Vent) (4" x 6-5/8")	Vent Centerline Height - Top	-	49" (1245mm) Rigid
T	Gas Connection Height	1-1/2" (38mm)	
U	Gas Connection Inset	4-1/8" (105mm)	
V	Gas Connection Width	3-1/4" (82mm)	
W	Non-combustible Height	7" (178mm)	

**\*\* Important:** Framing height requires consideration of the hearth depth. Dimension N = N + the thickness of the installed hearth.



# INSTALLATION

## FINISHING

### IMPORTANT FINISHING DETAIL NOTE:

Before placing unit into final position - it is important to know the total thickness / height of finished hearth (tile, carpet, etc.) The base of the fireplace should be level or higher than the finished hearth height.

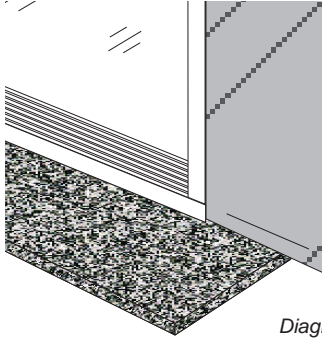


Diagram 1

**Note:** All non-combustible facing material should butt up cleanly to the flanges around the firebox opening.

Rough edges will be visible from the front view with the flush louvers or flush panels - if not using the optional finishing trim.

To maintain a clean finished edge - it is recommended to install the non-combustible facing material with the finished edge against the fireplace / nailing strips.

Alternatively, you can use J Style Trim or Metal Corner Bead to cover cut edges of the non-combustible facing material.

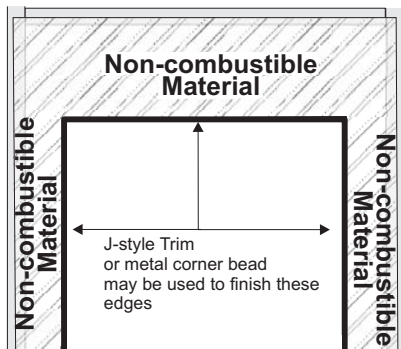


Diagram 2

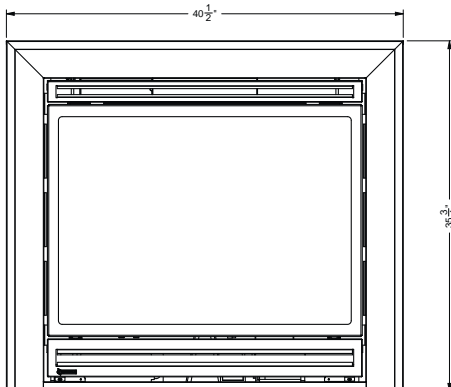


Diagram 3 Shown with optional finishing trim

### Important:

Finishing materials such as tile, river rock, etc, **must not** protrude beyond the front facing flanges the sides and top of the firebox opening.

### Full Screen Doors Only:

If finishing with any material thicker than 1-1/4" - a 3/4" gap must be maintained between the full screen doors and the finishing material.

This gap is necessary to facilitate the installation and removal of the full screen doors.

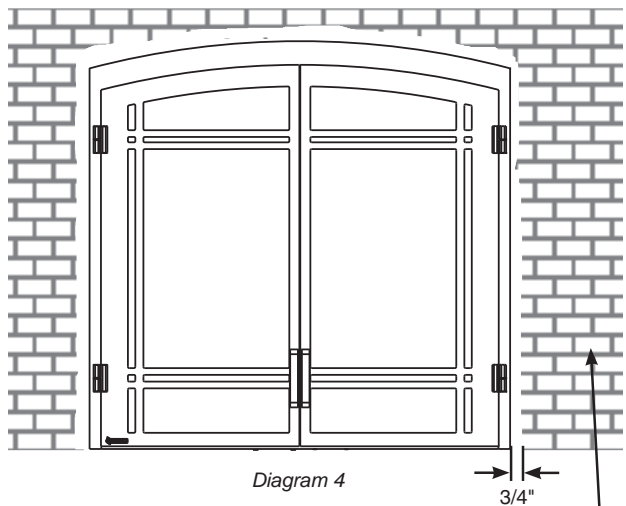


Diagram 4

Finishing material - thicker than 1-1/4"

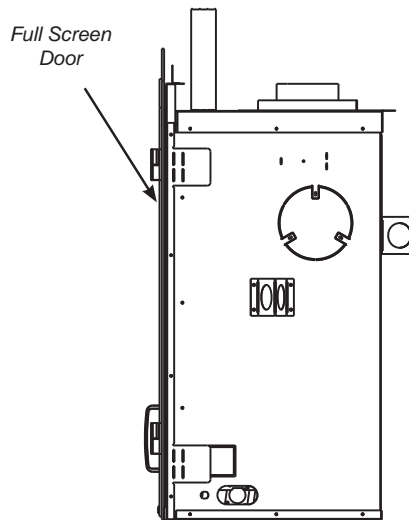


Diagram 5

**Note:** Full Screen Door Dimensions - page 6.

## UNIT ASSEMBLY PRIOR TO INSTALLATION

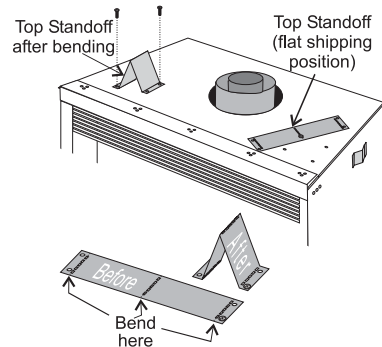
### BEFORE YOU START

The Top Facing Support, the Side Nailing Strips, the 2 Top Standoffs and the Flue Collar must be correctly positioned and attached before the fireplace is moved into position.

#### TOP STANDOFF ASSEMBLY

The top standoffs are shipped in a flat position and must be folded into shape and attached.

- 1) Remove the standoffs from the fireplace top.
- 2) Take each standoff and bend into the correct shape. Bend up at the bend lines until the screw holes in the standoff and the pre-punched screw holes on the fireplace top line up.
- 3) Attach the standoff securely to the top with 2 screws per standoff (on opposite corners).



#### TOP FACING SUPPORT

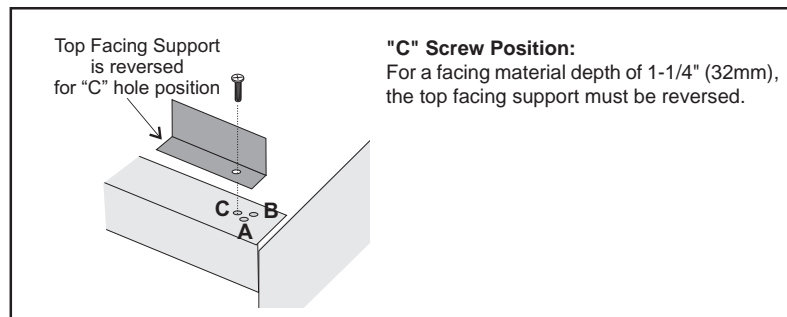
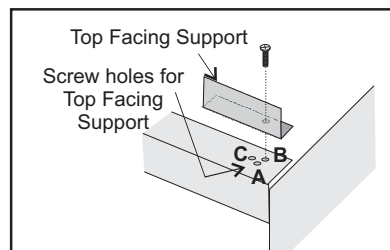
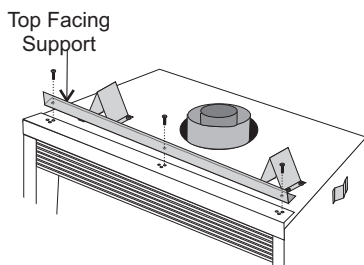
Determine the total thickness of facing material (e.g. drywall or wood plus ceramic tiles) to allow the finished surface to be flush with the front of the unit. Total facing thickness can vary from 1/2" (13mm) to 1-1/4" (32mm) thick.

The Top Facing Support can be mounted in 3 different positions depending on the thickness of the facing material.

Screw Position	Facing Material Depth
A	1/2" / 13mm
B	7/8" / 22mm
C*	1-1/4" / 32mm

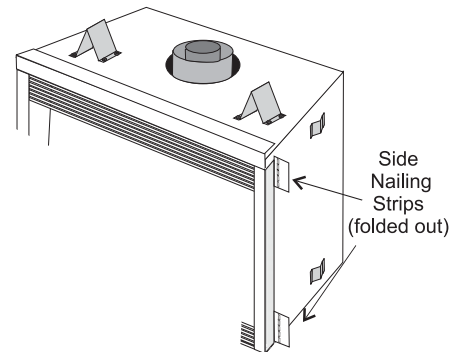
\* For "C" screw position the top facing support is reversed.

- 1) Mount Top Facing Support using the 3 supplied screws into the three pre-punched screw holes on the top front of the unit. Use hole positions A, B, or C depending on your facing depth.



#### SIDE NAILING STRIPS

The side nailing strips come attached to the unit. There are 2 plates, one on the top and bottom that can be folded out as required.

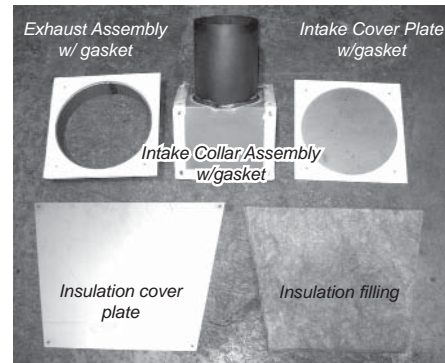


# INSTALLATION

## CONVERSION TO TOP VENT

**Note:** This conversion must be done prior to the unit being placed in position.  
The unit comes equipped as a rear vent unit. These instructions are to be used, only if the unit is going to be top vented.

Top Collar Assembly Kit	
1	Intake Collar Assembly with Gasket
1	Intake Cover Plate with Gasket
1	Top/Rear Exhaust Assembly with Gasket
1	Heat Deflector
1	Baffle Plate
29	1/4" x 1/2" Screws (4 spares)
1	Restrictor
1	Intake Collar Gasket (spare)
1	Exhaust Assembly Gasket (spare)
1	Insulation Plate Cover
1	Insulation Filling



Note: Components shown are installed on unit.

- 1) Remove the door assembly by releasing the adjustable latches and lifting up off the door frame assembly.

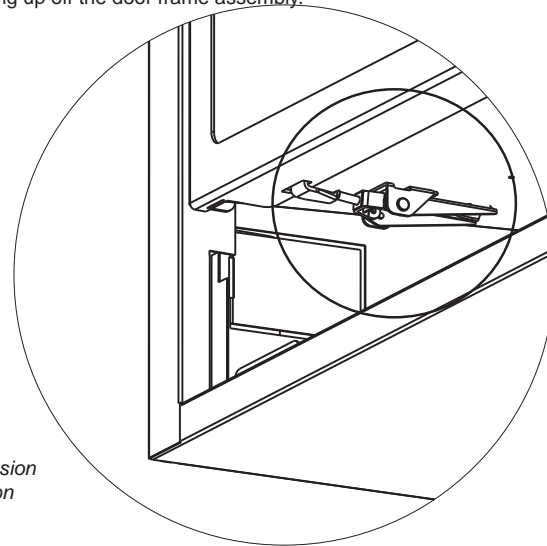
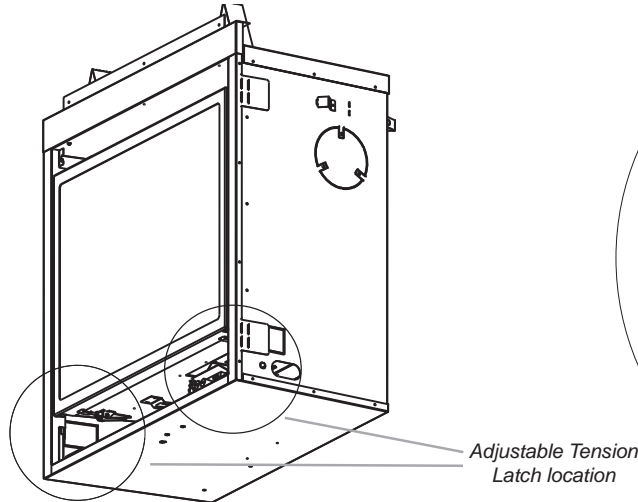
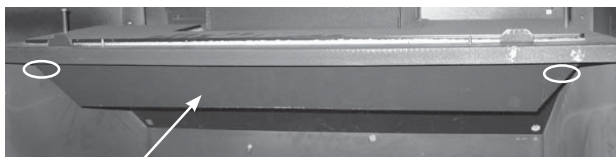


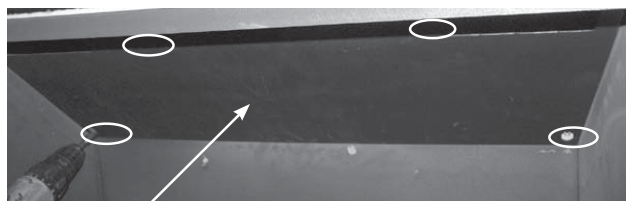
Diagram 1

- 2) From inside the firebox, remove the top heat deflector by removing 2 screws.



Heat Deflector Diagram 2

- 3) From inside the firebox, remove the baffle plate by removing 4 screws - remove top front screw first. See Diagram 3.



Baffle Plate Diagram 3

- 4) From the inside of the firebox, remove the exhaust assembly by removing the 8 screws. See Diagram 4.

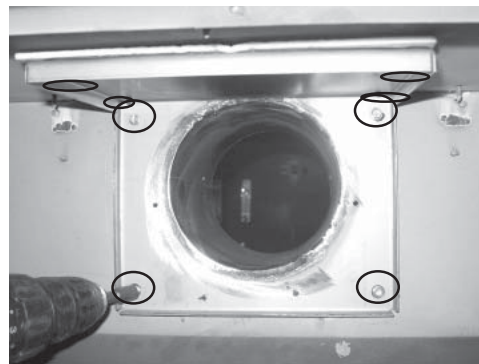


Diagram 4



## INSTALLATION

- 5) From the outside rear of the firebox, remove the intake collar assembly. Remove the 4 - 1/4" x 1/2" screws. See Diagram 5.

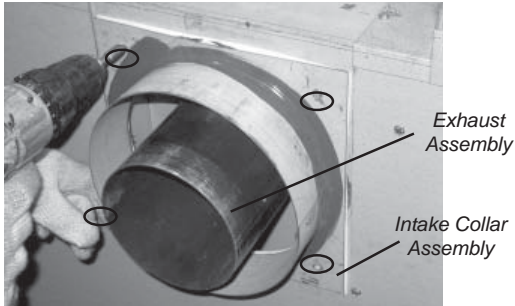


Diagram 5

- 6) From the outside top of the firebox - remove top insulation cover plate and insulation filling - by removing 4 screws. See Diagram 6. Discard cover plate and insulation filling.



Diagram 6

- 7) From the outside top of the firebox - remove the intake cover plate by removing the 4 - 1/4" x 1/2" screws. See Diagram 7.

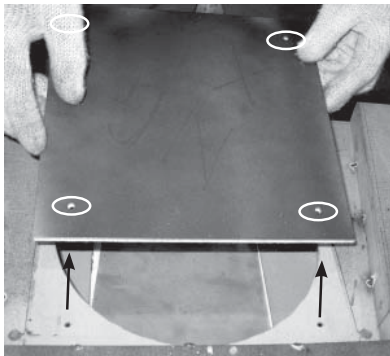


Diagram 7

Before proceeding to Step 8, inspect condition of all gaskets. DO NOT install parts with damaged gaskets. Replace if necessary with spare gaskets supplied.

- 8) From the inside of the firebox, place the exhaust assembly into position as shown in Diagram 8 and secure with 8 - 1/4" x 1/2" screws (Diagram 9). Ensure all screws are tight, but do not over tighten. All 8 screws must be used.

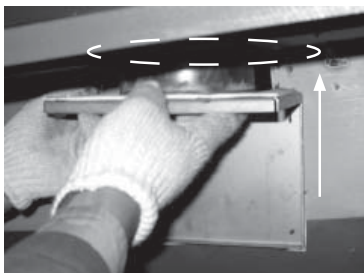


Diagram 8

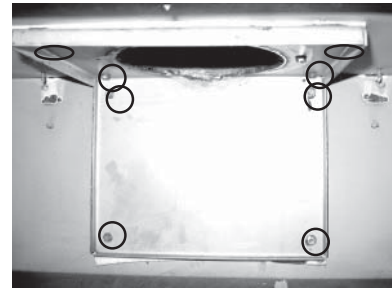


Diagram 9

- 9) From the outside top of the firebox, install the intake collar assembly. Secure with 4 - 1/4" x 1/2" screws. Ensure all screws are tight, but do not over tighten. All 4 screws must be used.

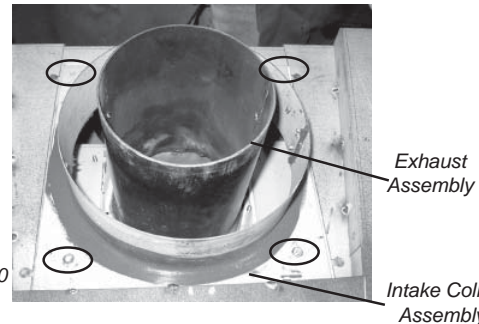


Diagram 10

- 10) From the outside rear of the firebox, install the intake cover plate with 4 - 1/4" x 1/2" screws. Ensure all screws are tight, but do not over tighten. All 4 screws must be used.

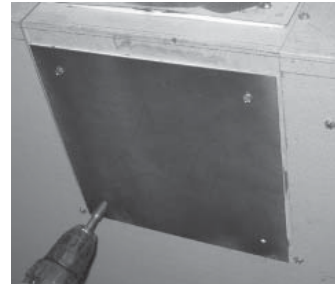


Diagram 11

- 11) Set vent restrictor accordingly - see next page.

- 12) From inside the firebox, re-install the baffle plate and heat deflector - reverse steps 2 & 3.

## VENTING INTRODUCTION

The B36XT uses the "balanced flue" technology Co-Axial system. The inner liner vents products of combustion to the outside while the outer liner draws outside combustion air into the combustion chamber thereby eliminating the need to use heated room air for combustion and losing warm room air up the chimney.

**Note:** *These flue pipes must not be connected to any other appliance.*

The gas appliance and vent system must be vented directly to the outside of the building, and never be attached to a chimney serving a separate solid fuel or gas burning appliance. Each direct vent gas appliance must use its own separate vent system. Common vent systems are prohibited.

# INSTALLATION

## VENT RESTRICTOR, BAFFLE & HEAT DEFLECTOR INSTALLATION

**NOTE: THE VENT RESTRICTOR & BAFFLE MUST BE INSTALLED PRIOR TO OPTIONAL PANEL INSTALLATION.**

- 1) Determine the venting configuration.
- 2) Remove top heat deflector and baffle plate (reverse of steps 5 & 6).
- 3) Go to venting arrangements section (in the manual) to determine if a vent restrictor setting is required.

**Note:** The vent restrictor does not apply to rear vent applications.

- 4) Align the vent restrictor plate to the required vent restrictor position as per the diagrams shown.
- 5) Once the vent restrictor plate is in the required position, secure with 2 - 1/4" x 1/2" screws. Ensure all screws are tight, but do not over tighten. (See diagram 2).

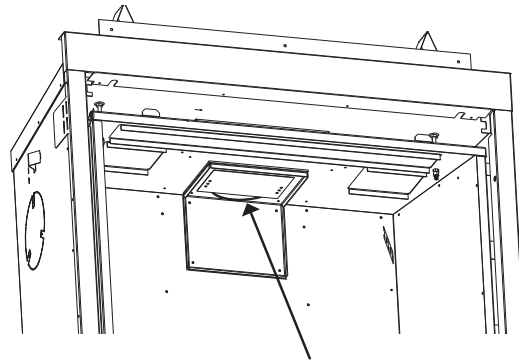
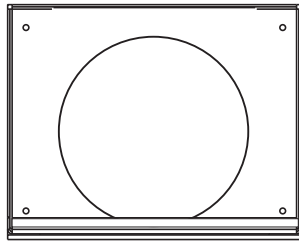
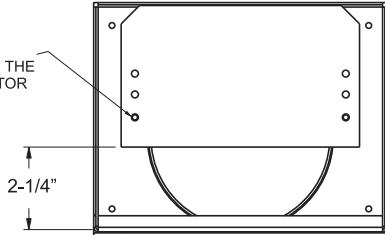


Diagram 2 Vent restrictor installed on top exhaust assembly

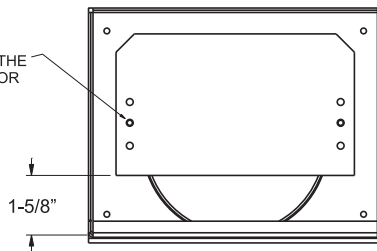
NO VENT RESTRICTOR  
Factory Setting



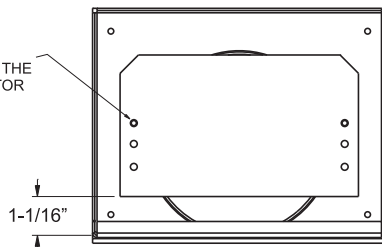
SET 1  
THIS HOLE SETS THE  
VENT RESTRICTOR  
AT 2-1/4"



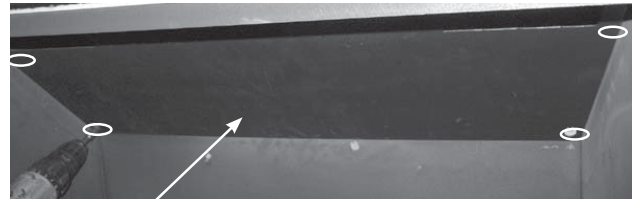
SET 2  
THIS HOLE SETS THE  
VENT RESTRICTOR  
AT 1-5/8"



SET 3  
THIS HOLE SETS THE  
VENT RESTRICTOR  
AT 1-1/16"



- 6) From **inside** the firebox, install the baffle plate with 4 - 1/4" x 1/2" screws. Ensure all screws are tight, but do not over tighten.

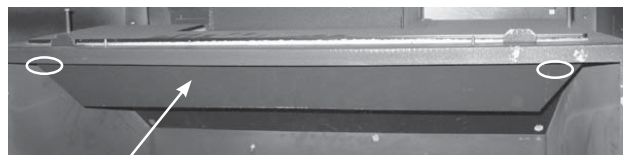


Baffle Plate

Diagram 3

**Note:** If installing brick/optional panels, see brick/optional panel instructions before proceeding to next step.

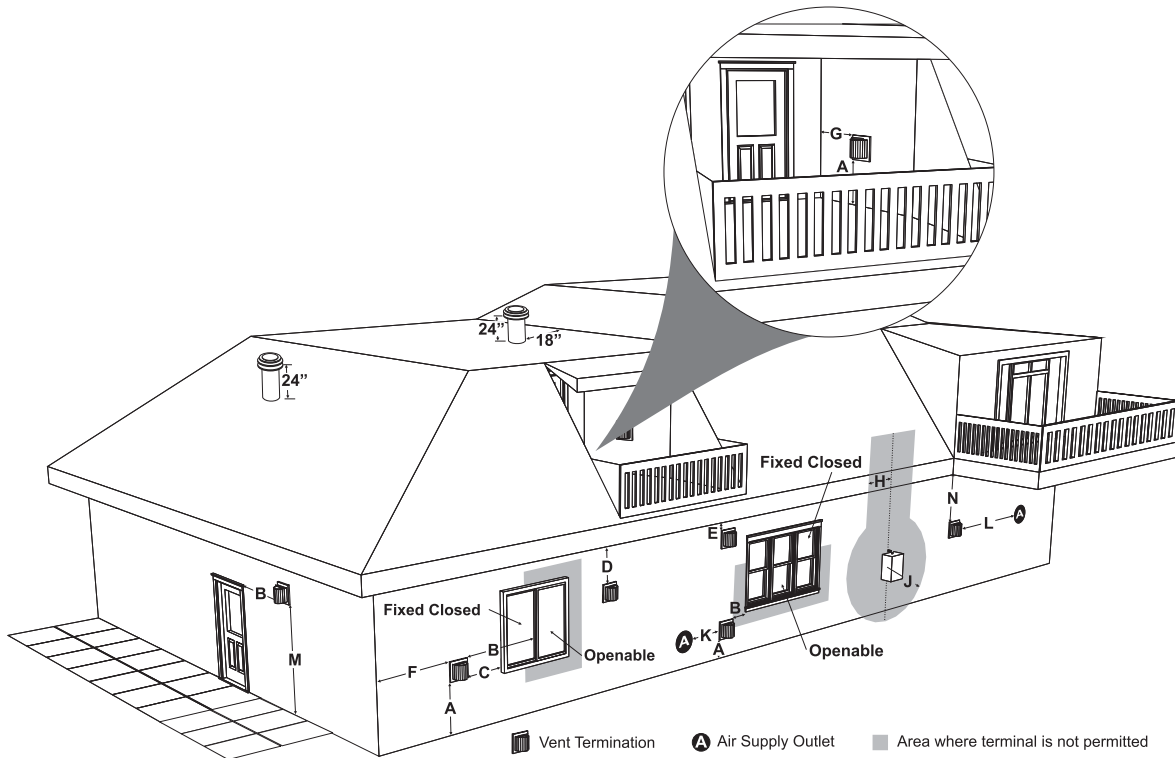
- 7) From **inside** the firebox, install the top heat deflector with 2 - 1/4" x 1/2" screws. Ensure all screws are tight, but do not over tighten.



Heat Deflector

Diagram 4

## EXTERIOR VENT TERMINATION REQUIREMENTS



	Minimum Clearance Requirements	Canada <sup>1</sup>	USA <sup>2</sup>
A	Clearance above grade, veranda, porch, deck, or balcony	12"(30cm)	12"(30cm)
B	Clearance to window or door that may be opened	12"(30cm)	9" (23cm)
C	Clearance to permanently closed window	*	*
D	Vertical clearance to ventilated soffit located above the terminal within a horizontal distance of 2 feet (61cm) from the center line of the terminal (check with the local code)	24"(60cm)	24"(60cm)
E	Clearance to unventilated soffit	19"(48cm)	19"(48cm)
F	Clearance to outside corner: with <b>AstroCap</b> Termination Cap.	13"(33cm)	13"(33cm)
	Clearance to outside corner: with all other approved Termination Caps.	13"(33cm)	13"(33cm)
G	Clearance to inside corner: with <b>AstroCap</b> Termination Cap	11"(28cm)	11"(28cm)
	Clearance to inside corner: with all other approved Termination Caps.	11"(28cm)	11"(28cm)
H	Clearance to each side of center line extended above meter/regulator assembly	36"(90cm) <sup>a</sup>	*
J	Clearance to service regulator vent outlet	36"(90cm)	*
K	Clearance to non-mechanical air supply inlet to building or the combustion air inlet to any other appliance	12"(30cm)	9" (23cm)
L	Clearance to a mechanical air supply inlet #3' (91cm) above if within 10' (3m) horizontally.	72"(1.8m)	36"(90cm) <sup>b</sup>
M	Clearance above paved sidewalk or a paved driveway located on public property	84"(2.1m) <sup>†</sup>	*
N	Clearance under veranda, porch, deck, or balcony	12"(30cm) <sup>‡</sup>	*

<sup>1</sup> In accordance with current CSA B149.1, *Natural Gas and Propane Installation Code*

<sup>2</sup> In accordance with the current ANSI Z223.1/NFPA 54, *National Fuel Gas Code*

<sup>†</sup> A vent shall not terminate directly above a sidewalk or paved driveway which is located between two single family dwellings and serves both dwellings

<sup>‡</sup> Permitted only if veranda, porch, deck, or balcony is fully open on a minimum of two sides beneath the floor

\* Clearance in accordance with local installation codes and the requirements of the gas supplier

<sup>a</sup> 3 feet (91cm) within a height of 15 feet (4.5m) above the meter / regulator assembly

<sup>b</sup> 3 feet (91cm) above - if within 10 feet (3m) horizontally

# INSTALLATION

## 4" X 6-5/8" RIGID PIPE CROSS REFERENCE CHART ONLY

Components from different Manufacturers may not be mixed. Not all Rigid Pipe components are available directly from FPI.

Description	Simpson Direct Vent Pro®	Selkirk Direct Temp™	American Metal Products® Amerivent Direct	Metal-Fab™ Sure Seal	Security Secure-Vent®	ICC Excel Direct
6" Pipe Length-Galvanized	46DVA-06	4DT-6	N/A	4D6	SV4L6	TC-4DL6
6" Pipe Length-Black	46DVA-06B	4DT-6B	N/A	4D6B	SV4LB6	TC-4DL6B
7" Pipe Length-Galvanized	N/A	N/A	4D7	N/A	N/A	N/A
7" Pipe Length-Black	N/A	N/A	4D7B	N/A	N/A	N/A
9" Pipe Length-Galvanized	46DVA-09	4DT-9	N/A	N/A	N/A	N/A
9" Pipe Length-Black	46DVA-09B	4DT-9B	N/A	N/A	N/A	N/A
12" Pipe Length-Galvanized	46DVA-12	4DT-12	4D12	4D12	SV4L12	TC-4DL1
12" Pipe Length-Black	46DVA-12B	4DT-12B	4D12B	4D12B	SV4LB12	TC-4DL1B
18" Pipe Length-Galvanized	46DVA-18	4DT-18	4D18	4D18	SV4LA	TC-4DL18
18" Pipe Length-Black	46DVA-18B	4DT-18B	4D18B	4D18B	SV4LA	TC-4DL18B
24" Pipe Length-Galvanized	46DVA-24	4DT-24	4D24	4D24	SV4L24	TC-4DL2
24" Pipe Length-Black	46DVA-24B	4DT-24B	4D24B	4D24B	SV4LB24	TC-4DL2B
36" Pipe Length-Galvanized	46DVA-36	4DT-36	4D36	4D36	SV4L36	TC-4DL3
36" Pipe Length-Black	46DVA-36B	4DT-36B	4D36B	4D36B	SV4LB36	TC-4DL3B
48" Pipe Length-Galvanized	46DVA-48	4DT-48	4D48	4D48	SV4L48	TC-4DL4
48" Pipe Length-Black	46DVA-48B	4DT-48B	4D48B	4D48B	SV4LB48	TC-4DL4B
60" Pipe Length-Galvanized	46DVA-60	4DT-60	N/A	N/A	N/A	N/A
60" Pipe Length-Black	46DVA-60B	4DT-60B	N/A	N/A	N/A	N/A

Adjustable Length 3"-10"-Galvanized	N/A	N/A	N/A	4DAL	N/A	TC-4DLT
Adjustable Length 3"-10"-Black	N/A	N/A	N/A	4DALB	N/A	TC-4DLTB
Adjustable Length 7"-Galvanized	N/A	N/A	4D7A	N/A	N/A	N/A
Adjustable Length 7"-Black	N/A	N/A	4D7AB	N/A	N/A	N/A
Extension Pipe 8-1/2"-Galvanized	46DVA-08A	N/A	N/A	N/A	N/A	N/A
Extension Pipe 8-1/2"-Black	46DVA-08AB	N/A	N/A	N/A	N/A	N/A
Adjustable Length 12"-Galvanized	N/A	N/A	4D12A	N/A	SV4LA12	N/A
Adjustable Length 12"-Black	N/A	N/A	4D12A	N/A	SV4LBA12	N/A
Extension Pipe 16"-Galvanized	46DVA-16A	N/A	N/A	N/A	N/A	N/A
Extension Pipe 16"-Black	46DVA-16AB	N/A	N/A	N/A	N/A	N/A

45° Elbow-Galvanized	46DVA-E45	4DT-EL45	4D45L	N/A	N/A	TE-4DE45
45° Elbow-Black	46DVA-E45B	4DT-EL45B	4DT-EL45B	N/A	N/A	TE-4DE45B
45° Elbow Swivel-Galvanized	See 46DVA-E45	N/A	N/A	4D45L	SV4E45	N/A
45° Elbow Swivel-Black	See 46DVA-E45B	N/A	N/A	4D45LB	SV4EB45	N/A
90° Elbow-Galvanized	46DVA-E90	4DT-EL90S	4DT-EL90S	N/A	N/A	TE-4DE90
90° Elbow-Black	46DVA-E90B	4DT-EL90SB	4DT-EL90SB	N/A	SV4EBR90-1	TE-4DE90B
90° Elbow, Swivel-Galvanized	See 46DVA-E90	N/A	N/A	4D90L	SV4E90-1	N/A
90° Elbow, Swivel-Black	See 46DVA-E90B	N/A	N/A	4D90LB	SV4EB90-1	N/A
90° Starter Elbow, Swivel-Galvanized	N/A	N/A	N/A	4D90A	N/A	N/A
Adaptor*	N/A	N/A	N/A	4D90L	N/A	N/A

Ceiling Support	N/A	4DT-CS	4DFSP	4DSP	SV4SD	TE-4DE45
Cathedral Support Box	46DVA-CS	4DT-CSS	4DRSB	4DRS	SV4CSB	TE-4DE45B
Wall Support/Band	46DVA-WS	4DT-WS/B	4DWS	4DWS	SV4BM	N/A
Offset Support	46DVA-ES (N/A - FPI)	4DT-OS	N/A	N/A	SV4SU	N/A
Wall Thimble-Black	46DVA-WT	4DT-WT	4DWT	4DWT	SV4RSM	TE-4DE90
Wall Thimble Support/Ceiling Support	46DVA-DC	N/A	N/A	N/A	SV4PF	TE-4DE90B
Firestop Spacer	46DVA-FS	4DT-FS	4DFSP	4DFS	SV4BF	N/A
Trim Plate-Black	N/A	4DT-TP	4DFPB	4DCP	SV4LA	N/A

# INSTALLATION

Description	Simpson Direct Vent Pro®	Selkirk Direct Temp™	American Metal Products® Amerivent Direct	Metal-Fab™ Sure Seal	Security Secure-Vent®	ICC Excel Direct
Attic Insulation Shield 12"	46DVA-IS N/A@ FPI	N/A	4DAIS12	N/A	SV4RSA	N/A
Attic Insulation Shield - Cold Climates 36"	N/A	N/A	4DAIS12	N/A	N/A	TM-4AS

Basic Horizontal Termination Kit (A)	Disc.	4DT-HKA	4DHTK2	4DHTKA	SV-SHK	N/A
Horizontal Termination Kit (B)	46DVA-KHA (Changed Components)	4DT-HKB	4DHTK1	4DHTKB	SV-HK	N/A
Vertical Termination Kit	Disc.	4DT-VKC	4DHTK	4DHTK	SV-FK	N/A

High Wind Vertical Cap	46DVA-VCH	N/A	N/A	N/A	N/A	TM-4VT
High Wind Horizontal Cap	46DVA-HC	N/A	N/A	N/A	N/A	TM-4DHT
Horizontal Square Termination Cap	See 46DVA-HC	4DT-HHC	4DHC	4DHT	SV4CHC-1	TM-4HT
Vertical Termination Cap	46DVA-VC	4DT-HVC	4DVC	4DVT	SV4CGV-1	TM-4VT
Storm Collar	46DVA-08A	4DT-SC	4DSC	4DSC	SV4FC	TM-SC

Adjustable Flashing 0/12-6/12	46DVA-F6	4DT-ST14	4D12S	4DST14	SV4STC14	TF-4FA
Adjustable Flashing 6/12-12/12	46DVA-FLA	4DT-ST36	4D36S	4DST36	SV4STC36	TF-4FB

Vinyl Siding Standoff	46DVA-VSS	4DT-VS	N/A	4DVS	SV4VS	TM-VSS
Vinyl Siding Shield Plate	N/A	4DT-VSP	N/A	N/A	SV4VS	N/A

Snorkel Termination 14"	46DVA-SNKL	N/A	N/A	N/A	N/A	TM-4ST14
Snorkel Termination 36"	N/A	N/A	N/A	N/A	N/A	TM-4ST36

Restrictor Disk	N/A	N/A	N/A	N/A	N/A	TM-4DS
Extended Vertical Termination Cap	N/A	N/A	N/A	N/A	N/A	N/A
Chimney Conversion Kit A (USA only)	46DVA-KCA	N/A	N/A	N/A	N/A	TM-4CA6
Chimney Conversion Kit B (USA only)	46DVA-KCB	N/A	N/A </tr			

FPI			
946-506/P	Vent Guard (Optional) for AstroCap	946-205	Vinyl Siding Shield for Riser Vent Terminal
510-994	Rigid Pipe Adaptor (Must use with all rigid piping)	946-208/P	Vent Guard (Optional) for Riser Vent Terminal
640-530/P	Riser Vent Terminal	946-523/P	AstroCap Horizontal Cap
946-605	Starter Collar Increaser 4" x 6-5/8" to 5" x 8"	946-206	Vinyl Siding Standoff for AstroCap

**Note:** When using Metal-Fab Sure Seal Rigid Piping - please note that the Adaptor (4DDA) must be used in conjunction with FPI Rigid Pipe Adaptor (510-994).

Offset Pipe Selection: Use this table to determine offset pipe lengths.				For specific instructions on venting components - visit the manufacturers website listed below.  Simpson Direct Vent Pro: <a href="http://www.duravent.com">www.duravent.com</a> Selkirk Direct-Temp: <a href="http://www.selkirkcorp.com">www.selkirkcorp.com</a> American Metal Products: <a href="http://www.americanmetalproducts.com">www.americanmetalproducts.com</a> Metal-Fab Sure Seal: <a href="http://www.mtlfab.com">www.mtlfab.com</a> Security Secure Vent: <a href="http://www.securitychimneys.com">www.securitychimneys.com</a> Industrial Chimney Company: <a href="http://www.icc-rsf.com">www.icc-rsf.com</a>
Pipe Length (L)	4" x 6-5/8" Venting			
	Run (X)	Rise (Y)		
0" (0mm)	4-7/8" (124mm)	13-7/8" (340mm)		
6" (152mm)	8" (203mm)	16-1/2" (419mm)		
9" (229mm)	10-1/8" (257mm)	18-5/8" (473mm)		
12" (305mm)	12-1/4" (311mm)	20-3/4" (527mm)		
24" (610mm)	20-5/8" (524mm)	29-1/8" (740mm)		
36" (914mm)	29" (737mm)	37-1/2" (953mm)		
48" (1219mm)	37-7/16" (951mm)	45-15/16" (1167mm)		

**Note:** Horizontal runs of vent must be level, or have a 1/4" rise for every 1 foot of run towards the termination. Never allow the vent to run downward - this could cause high temperatures and may present a possible fire hazard.

# INSTALLATION

## 5" X 8" RIGID PIPE CROSS REFERENCE CHART ONLY

Components from different Manufacturers may not be mixed. Not all Rigid Pipe components are available directly from FPI.

Description	Simpson Direct Vent Pro®	Selkirk Direct Temp™	Metal-Fab™ Sure Seal	ICC Excel Direct
6" Pipe Length-Galvanized	58DVA-06	5DT-6	5D6	TC-5DL6
6" Pipe Length-Black	58DVA-06B	5DT-6B	5D6B	TC-5DL6B
9" Pipe Length-Galvanized	58DVA-09	5DT-9	N/A	N/A
9" Pipe Length-Black	58DVA-09B	5DT-9B	N/A	N/A
12" Pipe Length-Galvanized	58DVA-12	5DT-12	5D12	TC-5DL1
12" Pipe Length-Black	58DVA-12B	5DT-12B	5D12B	TC-5DL1B
18" Pipe Length-Galvanized	58DVA-18	5DT-18	5D18	TC-5DL18
18" Pipe Length-Black	58DVA-18B - N/A from FPI	5DT-18B	5D18B	TC-5DL18B
24" Pipe Length-Galvanized	58DVA-24	5DT-24	5D24	TC-5DL2
24" Pipe Length-Black	58DVA-24B	5DT-24B	5D24B	TC-4DL2B
36" Pipe Length-Galvanized	58DVA-36	5DT-36	5D36	TC-5DL3
36" Pipe Length-Black	58DVA-36B	5DT-36B	5D36B	TC-5DL3B
48" Pipe Length-Galvanized	58DVA-48	5DT-48	5D48	TC-5DL4
48" Pipe Length-Black	58DVA-48B	5DT-48B	5D48B	TC-5DL4B
60" Pipe Length-Galvanized	58DVA-60	N/A	N/A	N/A
60" Pipe Length-Black	58DVA-60B - N/A from FPI	N/A	N/A	N/A

Adjustable Length 3"-10"-Galvanized	N/A	N/A	5DAL	TC-5DLT
Adjustable Length 3"-10"-Black	N/A	N/A	5DALB	TC-5DLTB
Adjustable Length 11"-14"-Galvanized	Disc. - See 58DV-08A	5DT-AJ	N/A	N/A
Adjustable Length 11"-14"-Black	Disc. - See 58DV-08B	5DT-AJB	N/A	N/A
Extension Pipe 17"-24"-Galvanized	Disc. - See 58DV-16A	N/A	N/A	N/A
Extension Pipe 17"-24"-Black	Disc. - See 58DV-16AB	N/A	N/A	N/A
Adjustable Length 8-1/2"-Galvanized	58DVA-08A - N/A from FPI	N/A	N/A	N/A
Adjustable Length 8-1/2"-Black	58DVA-08AB	N/A	N/A	N/A
Extension Pipe 16"-Galvanized	58DVA-16A - N/A from FPI	N/A	N/A	N/A
Extension Pipe 16"-Black	46DVA-16AB	N/A	N/A	N/A

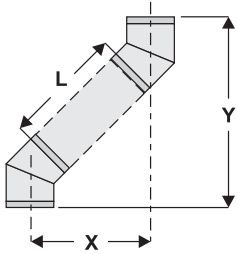
45° Elbow-Galvanized	58DVA-E45	5DT-EL45	5DT-EL45	TE-5DE45
45° Elbow-Black	58DVA-E45B	5DT-EL45B	5DT-EL45B	TE-5DE45B
45° Elbow Swivel-Galvanized	Disc. - See 58DVA-E45	N/A	N/A	N/A
45° Elbow Swivel-Black	Disc.-See 58DVA-E45B	N/A	N/A	N/A
90° Elbow-Galvanized	58DVA-E90	5DT-EL90S	5DT-EL90S	TE-5DE90
90° Elbow-Black	58DVA-E90B	5DT-EL90SB	5DT-EL90SB	TE-5DE90B
90° Elbow, Swivel-Galvanized	Disc. - See 46DVA-E45	N/A	N/A	N/A
90° Elbow, Swivel-Black	Disc. - See 46DVA-E45	N/A	N/A	N/A
90° Starter Elbow, Swivel-Galvanized	N/A	N/A	N/A	N/A
Adaptor*	N/A	N/A	N/A	N/A

Ceiling Support	58DVA-DC	5DT-CS	5DSP	TE-5DE45
Cathedral Support Box	58DVA-CS	5DT-CSS	5DRS	TE-5DE45B
Wall Support/Band	58DVA-WS	5DT-WS/B	5DWS	N/A
Offset Support	58DVA-ES - N/A from FPI	5DT-OS	N/A	N/A
Wall Thimble-Black	58DVA-WT	5DT-WT	5DWT	TE-5DE90
Wall Thimble Support/Ceiling Support	58DVA-DC - N/A from FPI	N/A	N/A	TE-5DE90B
Firestop Spacer	58DVA-FS	5DT-FS	5DFS	N/A
Trim Plate-Black	58DAV-WFS	5DT-TP	5DCP	N/A

# INSTALLATION

Description	Simpson Direct Vent Pro®	Selkirk Direct Temp™	Metal-Fab™ Sure Seal	ICC Excel Direct
Attic Insulation Shield 12"	58DVA-IS N/A from FPI	N/A	N/A	N/A
Basic Horizontal Termination Kit (A)	N/A	5DT-HKA	N/A	N/A
Horizontal Termination Kit (B)	58DVA-KHA	5DT-HKB	N/A	N/A
Vertical Termination Kit	58DVA-VHA	5DT-VKC	N/A	N/A
High Wind Vertical Cap	58DVA-VCH	N/A	N/A	TM-5VT
High Wind Horizontal Cap	N/A	N/A	N/A	TM-5DHT
Horizontal Square Termination Cap	N/A	5DT-HHC	5DHT	TM-5HT
Vertical Termination Cap	N/A	5DT-HVC	5DVT	TM-5VT
Storm Collar	58DVA-SC	5DT-SC	5DSC	TM-SC
Adjustable Flashing 0/12-6/12	58DVA-F6	5DT-AF6	5DF	TF-5FA
Adjustable Flashing 6/12-12/12	58DVA-F12	5DT-AF12	5DF1-2	TF-5FB
Vinyl Siding Standoff	58DVA-VSS	5DT-VS	5DVS	TM-VSS
Vinyl Siding Shield Plate	N/A	5DT-VSP	N/A	N/A
Snorkel Termination 14"	58DVA-SNK14	N/A	N/A	TM-5ST14
Snorkel Termination 36"	58DVA-SNK36 (N/A - FPI)	N/A	N/A	TM-5ST36
Restrictor Disk	58DVA-RD	N/A	N/A	TM-5DS
Colinear Flex Connectors	N/A	N/A	N/A	N/A
FPI				
946-604/P	Simpson Direct Vent -Vent Guard (Optional)	946-623/P	AstroCap XL Horizontal Cap	
770-994	Rigid Pipe Adaptor (Must use with all rigid piping)	946-506/P	Vent Guard (Optional)	
946-606	Starter collar reducer 5" x 8" to 4" x 6-5/8"	946-625	Vinyl Siding Standoff - AstroCap XL	

**Note:** When using Metal-Fab Sure Seal Rigid Piping - please note that the Adaptor (4DDA) must be used in conjunction with FPI Rigid Pipe Adaptor (510-994).

Offset Pipe Selection: Use this table to determine offset pipe lengths.				
Pipe Length (L)	5" x 8" Venting			For specific instructions on venting components - visit the manufacturers website listed below.  Simpson Direct Vent Pro: <a href="http://www.duraavent.com">www.duraavent.com</a> Selkirk Direct-Temp: <a href="http://www.selkirkcorp.com">www.selkirkcorp.com</a> Metal-Fab Sure Seal: <a href="http://www.mtfab.com">www.mtfab.com</a> Industrial Chimney Company: <a href="http://www.icc-rsf.com">www.icc-rsf.com</a>  <b>Note:</b> Horizontal runs of vent must be level, or have a 1/4" rise for every 1 foot of run towards the termination. Never allow the vent to run downward - this could cause high temperatures and may present a possible fire hazard.
	Run (X)	Rise (Y)		
0" (0mm)	5-11/16" (144mm)	15-5/16" (389mm)		
6" (152mm)	8-13/16" (224mm)	18-7/16" (468mm)		
9" (229mm)	10-15/16" (278mm)	20-9/16" (522mm)		
12" (305mm)	13" (330mm)	22-11/16" (576mm)		
24" (610mm)	21-7/16" (697mm)	31-1/16" (789mm)		
36" (914mm)	29-13/16" (757mm)	39-7/16" (1002mm)		
48" (1219mm)	38-1/4" (972mm)	47-7/8" (1216mm)		

# INSTALLATION

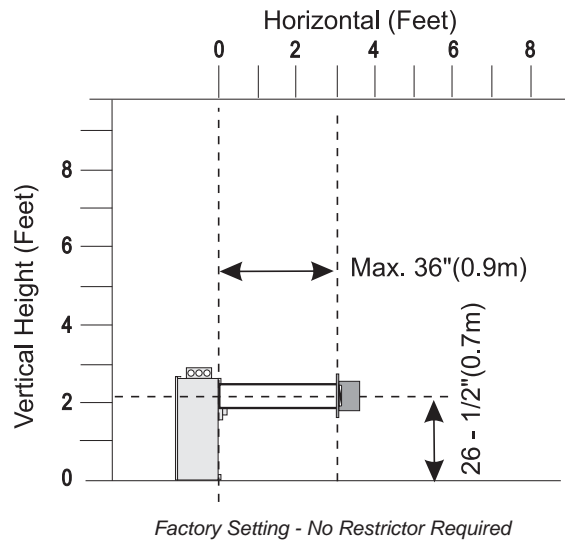
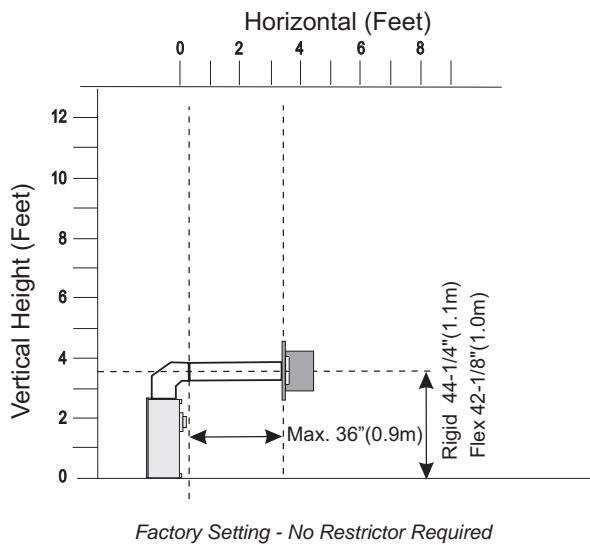
## VENTING ARRANGEMENTS FOR HORIZONTAL TERMINATIONS FLEX VENT OR RIGID PIPE 5" X 8"

The diagrams show all allowable combinations of vent runs with 5" x 8" venting using the Regency direct vent system or rigid vent system. A vent guard should be used whenever the termination is lower than the specified minimum or as per local codes.

For horizontal terminations the Regency Direct Vent Flex System may be used for installations with a maximum **continuous** vent length of 3ft (0.9m).

**Note:** Must use optional rigid pipe adaptor (Part # 770-994) when using Rigid Pipe vent systems.

- Maintain clearance to combustibles.
- Horizontal vent must be supported every 3 feet.
- Firestops are required at each floor level and whenever passing through a wall.





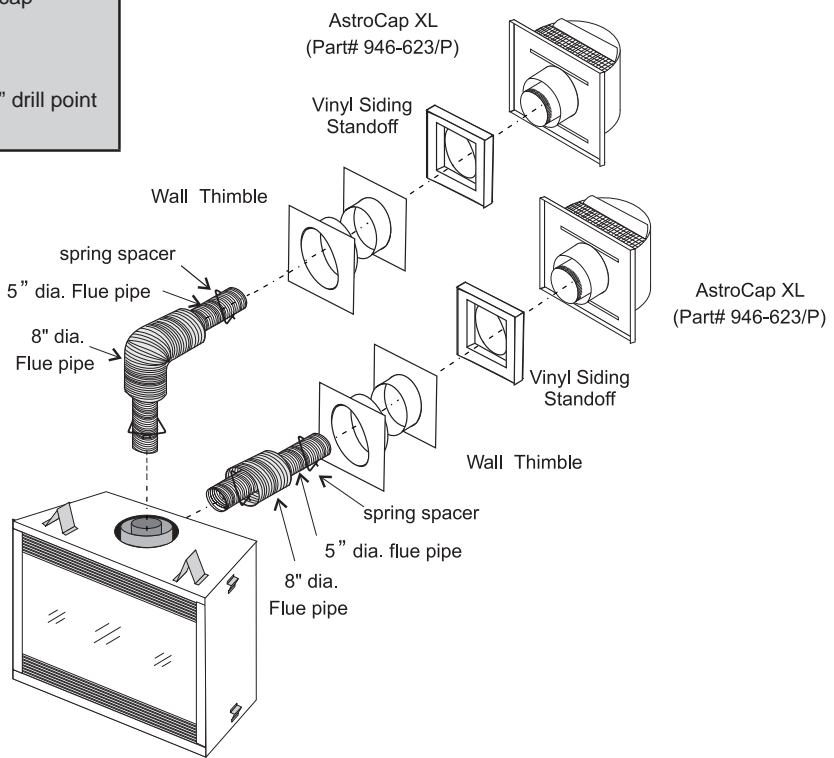
## HORIZONTAL TERMINATIONS FLEX VENT 5" X 8"

These venting systems, in combination with the B36XT Direct Vent Gas Fireplace, has been tested and listed as a direct vent heater system by Warnock Hersey. The location of the termination cap must conform to the requirements in the Vent Terminal Locations diagram in "Exterior Vent Termination Locations" section.

**Regency® Direct Vent (Flex) System 4 foot Termination Kit (Part# 946-615) includes all the parts needed to install the B36XT with a either a top or rear vent.**

**Note: If top venting this unit, the 5" x 8" venting may only be used if venting to the minimum of 42-1/3" to centerline. No other application is approved.**

FPI Kit #	Length	Contains:
#946-615	4 Feet	<ol style="list-style-type: none"> <li>1) 8" flexible liner (Kit length)</li> <li>2) 5" flexible liner (Kit length)</li> <li>3) spring spacers</li> <li>4) thimble</li> <li>5) <b>AstroCap</b> termination cap</li> <li>6) screws</li> <li>7) tube of Mill Pac</li> <li>8) plated screws</li> <li>9) S.S. screws #8 x 1-1/2" drill point</li> <li>10) vinyl siding standoff</li> </ol>



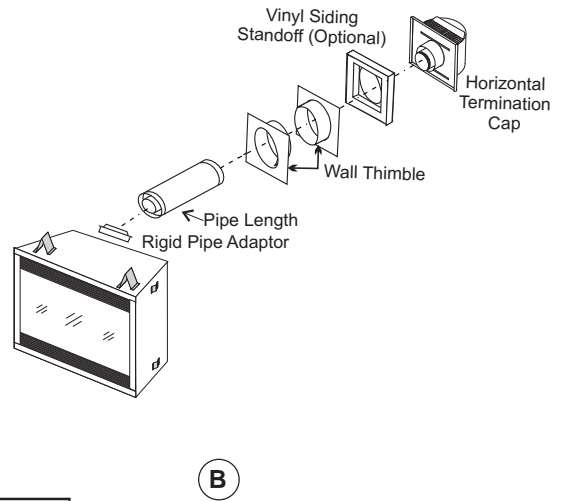
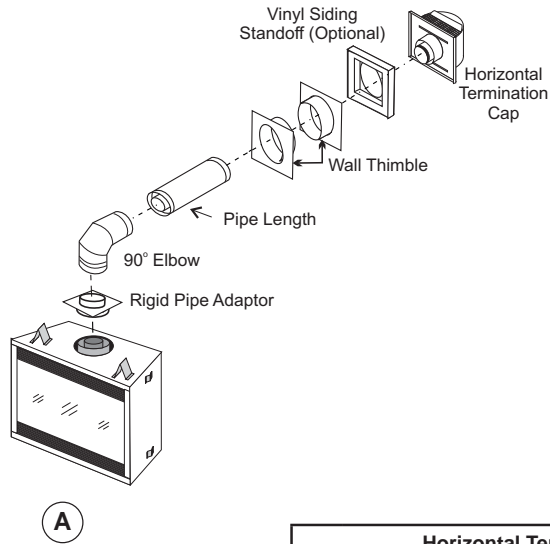
- 1) 8" dia. flexible liner (4 ft. length)
- 2) 5" dia. flexible liner (4 ft. length)
- 3) spring spacers (4)
- 4) thimble
- 5) AstroCapXL termination cap (1)
- 6) screws (12)
- 7) tube of Mill Pac (1)
- 8) plated screws (8)
- 9) screws #8 x 1-1/2" Drill Point, Stainless Steel (4)
- 10) vinyl siding standoff

### Notes:

- 1) **Liner sections should be continuous without any joints or seams.**
- 2) **Only Flex pipe purchased from Regency may be used for Flex installations.**
- 3) **Regency® Direct Vent System (Flex) is only approved for horizontal terminations.**

**Note: If longer runs are required - rigid pipe must be used.**

## HORIZONTAL TERMINATIONS RIGID PIPE 5" X 8"

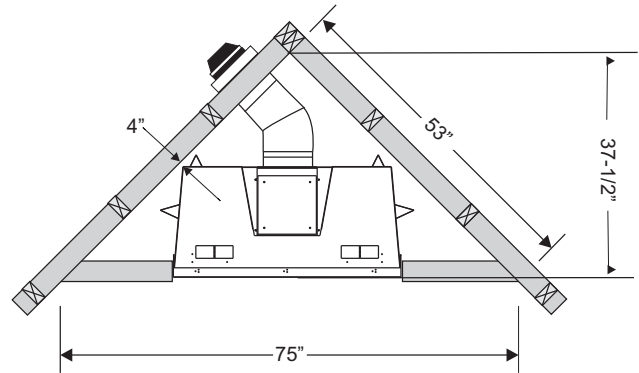


Horizontal Termination	
A	<b>Top Vent - No Vertical Rise</b> <ul style="list-style-type: none"> <li>• When venting with a 90° elbow directly off the unit, must use 5" X 8" AstroCapXL™ Flex vent or approved Rigid Vent System</li> <li>• Max. 3 ft. horizontal run</li> </ul>
B	<b>Rear Vent w/ Horizontal Termination</b> <ul style="list-style-type: none"> <li>• Can only use 5" x 8" venting</li> <li>• Max. 3ft. horizontal run</li> </ul>

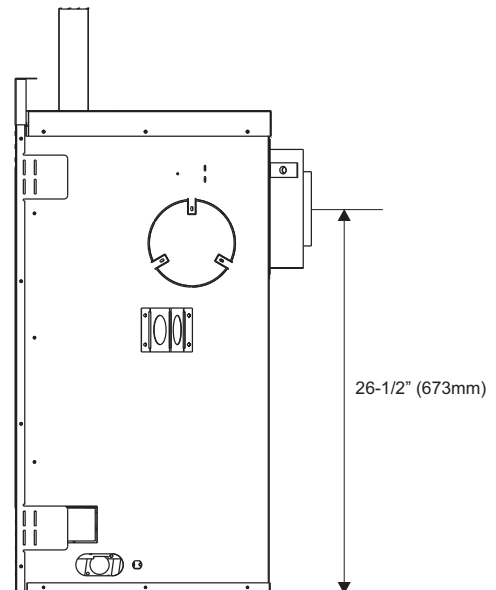
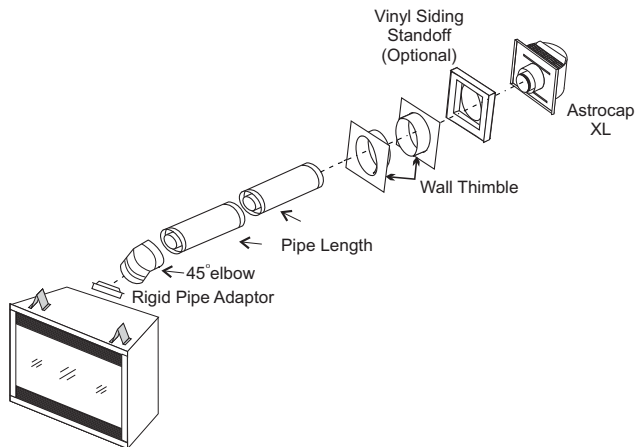
## HORIZONTAL TERMINATIONS ASTROCAP XL & RIGID REAR VENT KIT FOR CORNER INSTALLATIONS RIGID PIPE 5" X 8"

Designed for a minimum vent configuration when using a rear vent application with a horizontal termination in a corner installation.

Kit 946-612 Includes		
1	AstroCap XL	946-623/P
1	Rigid Pipe Adaptor	770-994
1	Vinyl Siding Standoff (Optional)	946-625
1	Wall Thimble	58DVA-WT
1	6" galvanized rigid pipe	58DVA-06
1	8-1/2" galvanized pipe extension	58DVA-08A
1	45° galvanized elbow	58DVA-E45
1	90 ml MillPac	948-128



Placement of the unit into the corner	
Back top corner of unit to wall	4"
Inside corner out along the wall	53"
Across the face of the unit, wall to wall	75"
Inside corner to front face of the unit	37-1/2"



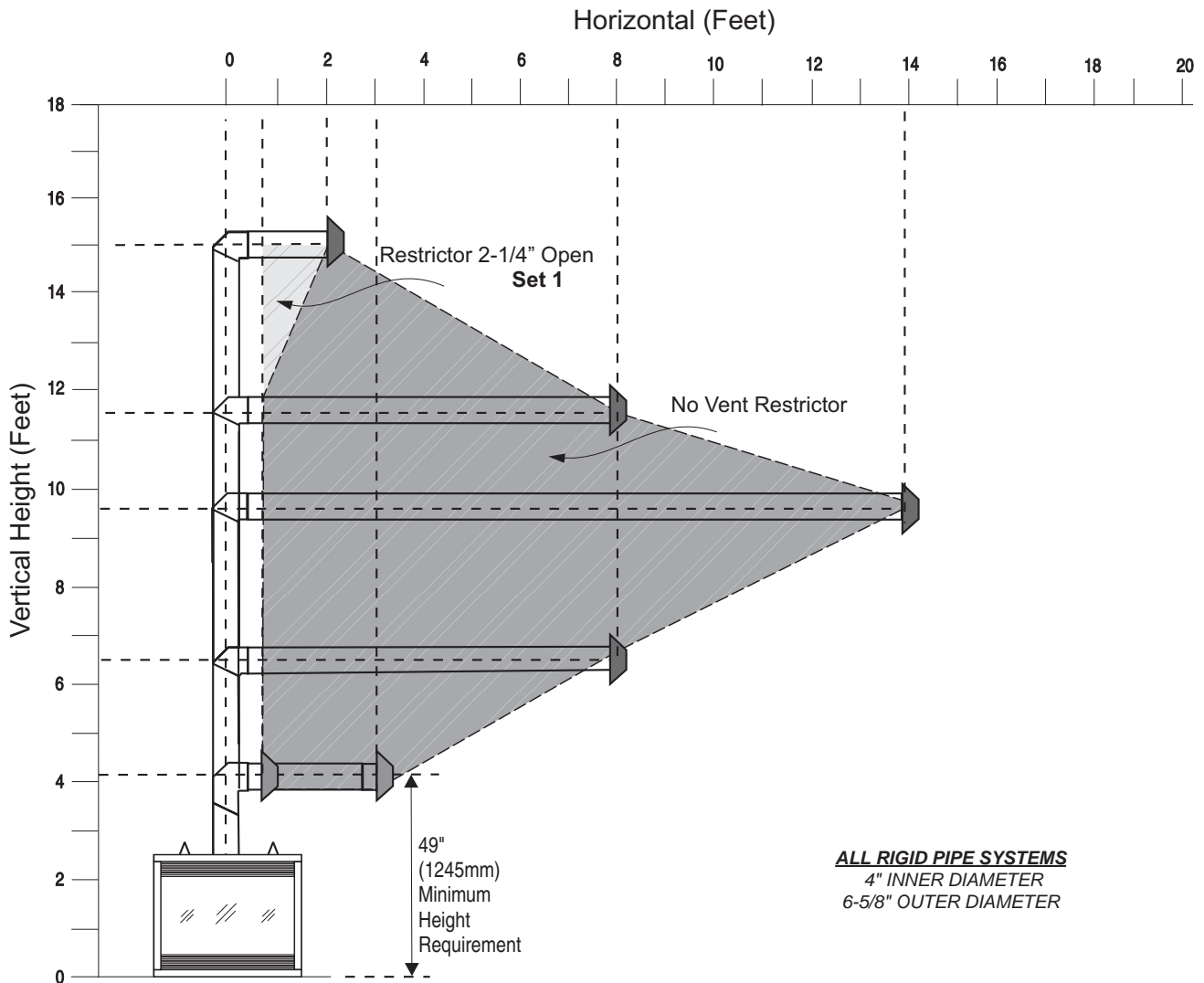
# INSTALLATION

## VENTING ARRANGEMENTS FOR HORIZONTAL TERMINATIONS

RIGID PIPE 4" X 6-5/8"

(MUST USE REDUCER PART # 946-606 & 770-994 RIGID PIPE ADAPTOR)

The diagram shows all allowable combinations of vertical runs with horizontal terminations, using one 90° two 45° elbows equal one 90° elbow).



- Maintain clearances to combustibles as listed in "Clearances" section
- Horizontal vent must be supported every 3 feet.
- Firestops are required at each floor level and whenever passing through a wall.
- A wall thimble is mandatory for all horizontal terminations due to high temperatures.

## HORIZONTAL OR VERTICAL TERMINATIONS RIGID PIPE 4" X 6-5/8" (MUST USE REDUCER PART # 946-606 & 770-994 RIGID PIPE ADAPTOR)

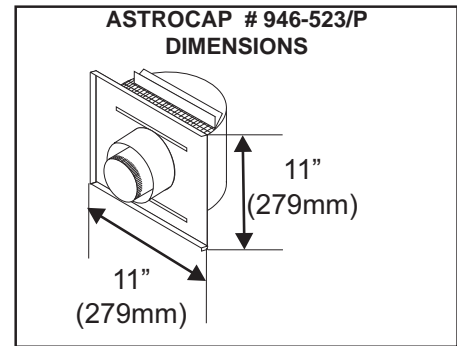
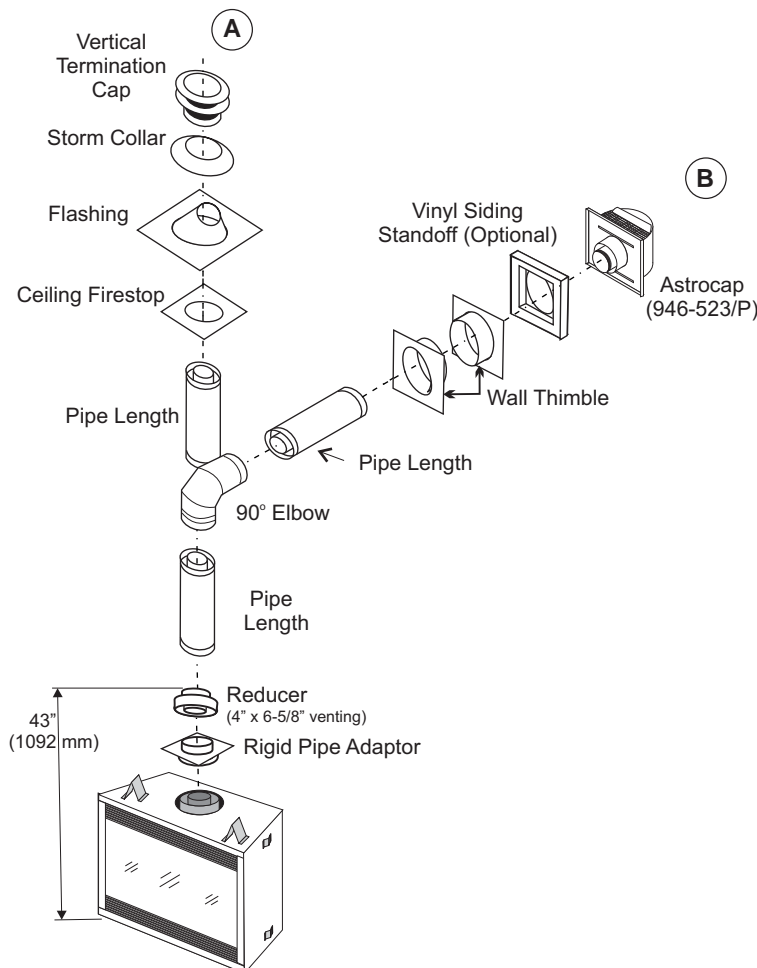
The minimum components required for a basic horizontal termination using 4" x 6-5/8" are:

- 1 Rigid Pipe Adaptor (770-994)
- 1 Reducer (946-606)
- 1 90° Elbow
- 1 Wall Thimble
- 1 Length of pipe to suit wall thickness
- 1 Horizontal Termination Cap

Wall thickness is measured from the back standoffs to the inside mounting surface of termination cap. For siding other than vinyl furring strips may be used, instead of the vinyl siding standoff, to create a level surface to mount the vent terminal. The Terminal must not be recessed into siding. Measure the wall thickness including furring strips.

If a Vinyl Siding Standoff is required (it must be used with vinyl siding), measure to outside surface of wall without siding and add 2 inches.

**Note:** The 4" x 6-5/8" Regency Flex Kits (946-515 & 946-516) are not approved for use with this fireplace. Only rigid pipe may be used when 4" x 6-5/8" is used.



**WARNING:**

Do not combine venting components from different venting systems.

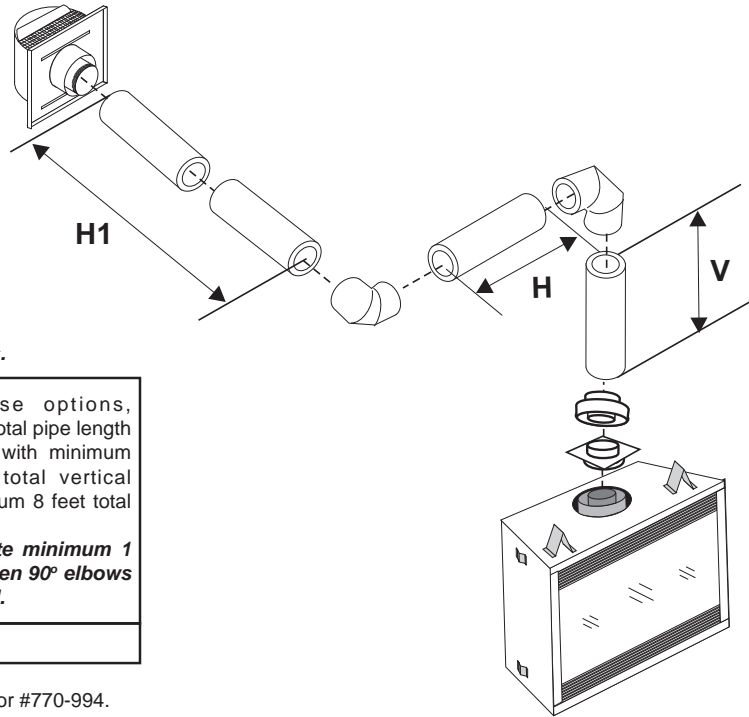
Exception: However, use of the AstroCap™ and FPI Riser is acceptable with all systems.

This product has been evaluated by Intertek for using a Rigid Pipe Adaptor in conjunction with DuraVent Direct Vent, Selkirk Direct-Temp, Ameri Vent Direct Vent, Security Secure Vent and ICC Excel Venting Systems. Use of these systems with the Rigid Pipe Adaptor is deemed acceptable and does not affect the Intertek WHI listing of components.

The FPI AstroCap™ and FPI Riser Vent terminal are certified for installations using FPI venting systems as well as Simpson Dura-Vent® Direct Vent, American Metal Products, Security Secure Vent®, AmeriVent Direct Vent, ICC Excel. AstroCap™ is the proprietary trademark of FPI Fireplace Products International Ltd. Dura-Vent® and Direct Vent are registered and/or proprietary trademarks of Simpson Dura-Vent Co. Inc.

# INSTALLATION

## HORIZONTAL TERMINATIONS TWO (2) 90° ELBOWS (RIGID PIPE 4" X 6 - 5/8")



One 90° elbow = Two 45° elbows.

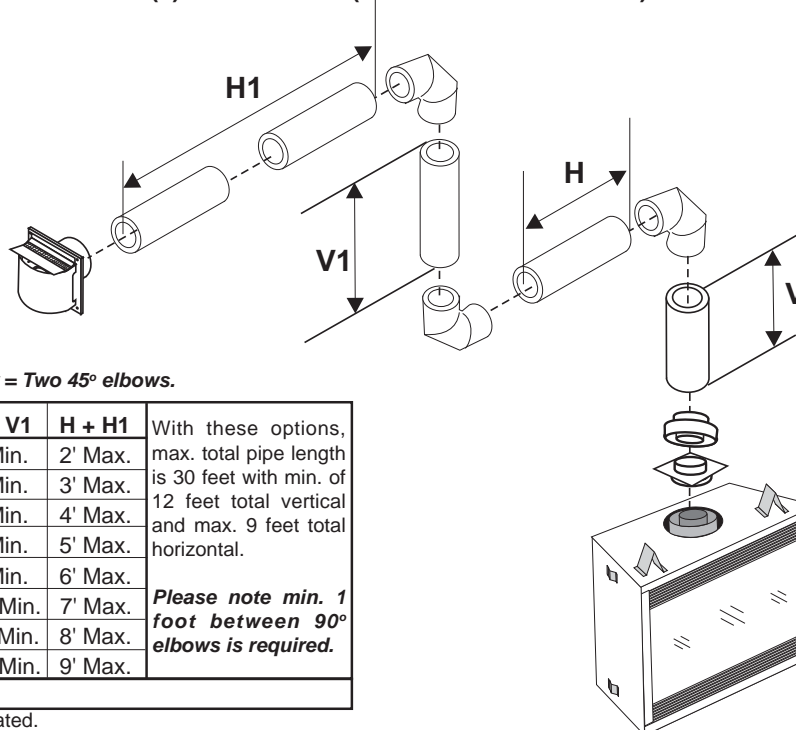
Option	V	H + H1	With these options, maximum total pipe length is 30 feet with minimum of 6 feet total vertical and maximum 8 feet total horizontal. <i>Please note minimum 1 foot between 90° elbows is required.</i>
A)	0' Min.	2' Max.	
B)	1' Min.	3' Max.	
C)	2' Min.	4' Max.	
D)	3' Min.	5' Max.	
E)	4' Min.	6' Max.	
F)	5' Min.	7' Max.	
G)	6' Min.	8' Max.	

**No Vent Restrictor Installed**

Lengths do not include elbow indicated.

Must use reducer # 946-606 and rigid pipe adaptor #770-994.

## HORIZONTAL TERMINATIONS THREE (3) 90° ELBOWS (RIGID PIPE 4" X 6 - 5/8")



One 90° elbow = Two 45° elbows.

Option	V	H	V + V1	H + H1	With these options, max. total pipe length is 30 feet with min. of 12 feet total vertical and max. 9 feet total horizontal. <i>Please note min. 1 foot between 90° elbows is required.</i>
A)	0' Min.	1' Max.	1' Min.	2' Max.	
B)	1' Min.	2' Max.	3' Min.	3' Max.	
C)	2' Min.	2' Max.	5' Min.	4' Max.	
D)	3' Min.	2' Max.	7' Min.	5' Max.	
E)	4' Min.	3' Max.	9' Min.	6' Max.	
F)	5' Min.	4' Max.	10' Min.	7' Max.	
G)	6' Min.	5' Max.	11' Min.	8' Max.	
H)	7' Min.	6' Max.	12' Min.	9' Max.	

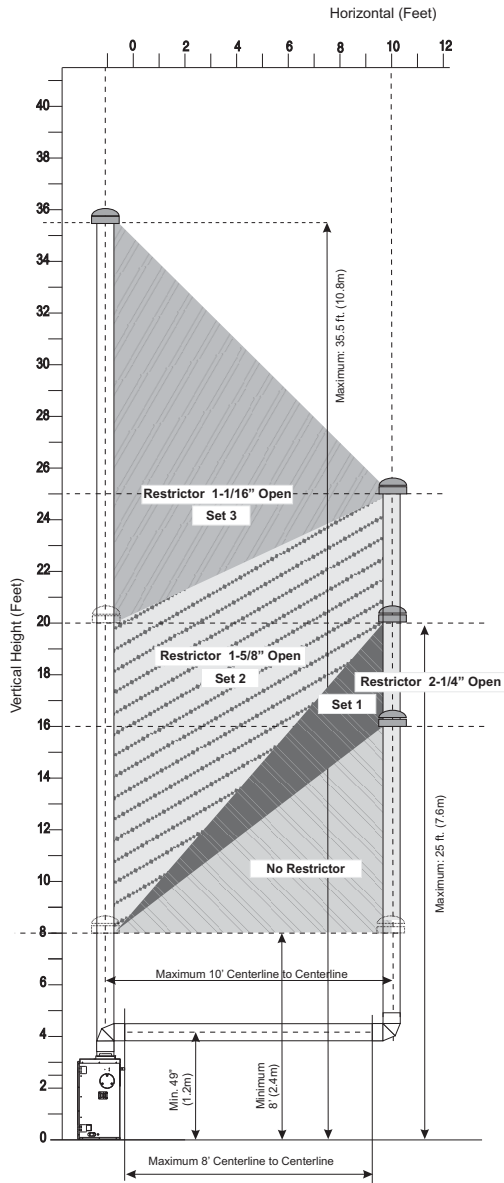
**No Vent Restrictor Installed**

Lengths do not include elbow indicated.

Must use reducer # 946-606 and rigid pipe adaptor #770-994.

## VENTING ARRANGEMENTS FOR VERTICAL TERMINATIONS RIGID PIPE 4" X 6-5/8" (MUST USE REDUCER PART # 946-606 & 770-994 RIGID PIPE ADAPTOR)

The shaded area in the diagram shows all allowable combinations of straight vertical and offset to vertical terminations, using two 90° elbows, with **Rigid Pipe Venting Systems** for Propane and Natural Gas. Two 45° elbows equal to one 90° elbow. Maximum of four 45° elbows allowed.



- Vent must be supported at offsets.
- Firestops are required at each floor level and whenever passing through a wall.
- Maintain clearances to combustibles as listed in the "Clearances" section.
- Refer to the "Vent Restrictor Position" section for details on how to change the vent restrictor from the factory setting to 2-1/4" opening, 1-5/8" opening and to 1-1/16" opening.

**Note:** Must use optional flue adapter when using Rigid Pipe (Part # 770-994).

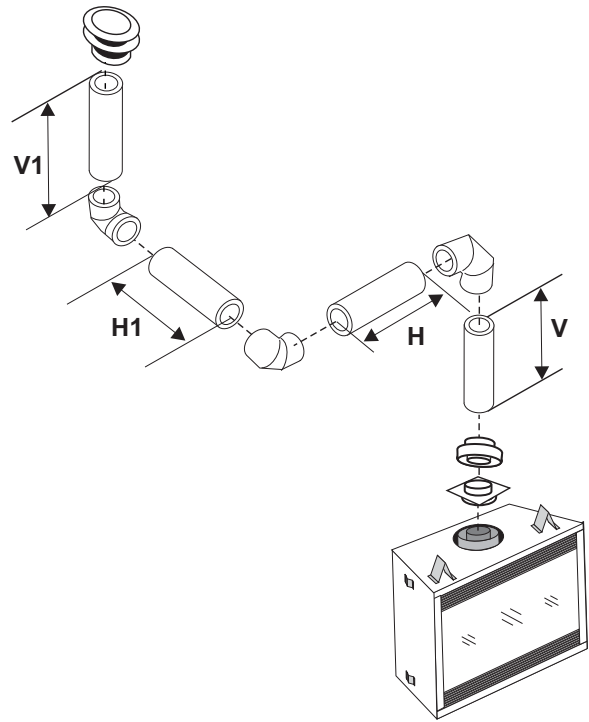
# INSTALLATION

## VERTICAL TERMINATIONS THREE (3) 90° ELBOWS (RIGID PIPE 4" X 6 - 5/8")

One 90° elbow = Two 45° elbows.

Option	V	H + H1	V + V1	
A)	0' Min.	2' Max.	2' Min.	With these options, max. total pipe length is 30 feet with min. of 10 feet total vertical and max. 8 feet total horizontal.  <b>Please note min. 1 foot between 90° elbows is required.</b>
B)	1' Min.	2' Max.	3' Min.	
C)	2' Min.	3' Max.	4' Min.	
D)	3' Min.	4' Max.	6' Min.	
E)	4' Min.	5' Max.	7' Min.	
F)	5' Min.	6' Max.	8' Min.	
G)	6' Min.	7' Max.	9' Min.	
H)	7' Min.	8' Max.	10' Min.	
<b>No Vent Restrictor Installed</b>				

Lengths do not include elbow indicated.  
Must use reducer # 946-606 and rigid pipe adaptor #770-994





## VENTING ARRANGEMENTS WITH CO-LINEAR FLEX SYSTEM

**THE APPLIANCE MUST NOT BE CONNECTED TO A CHIMNEY FLUE SERVING A SEPARATE SOLID FUEL BURNING APPLIANCE.**

Masonry chimneys may take various contours which the flexible liner will accommodate. However, **keep the flexible liner as straight as possible**, avoid unnecessary bending.

The Air Intake pipe must be attached to the inlet air collar of the termination cap.

This appliance is designed to be attached to two 3" (76mm) co-linear aluminium flex running the full length of the chimney. See the Venting Arrangements on next page for minimum and maximum heights.

### Required Parts:

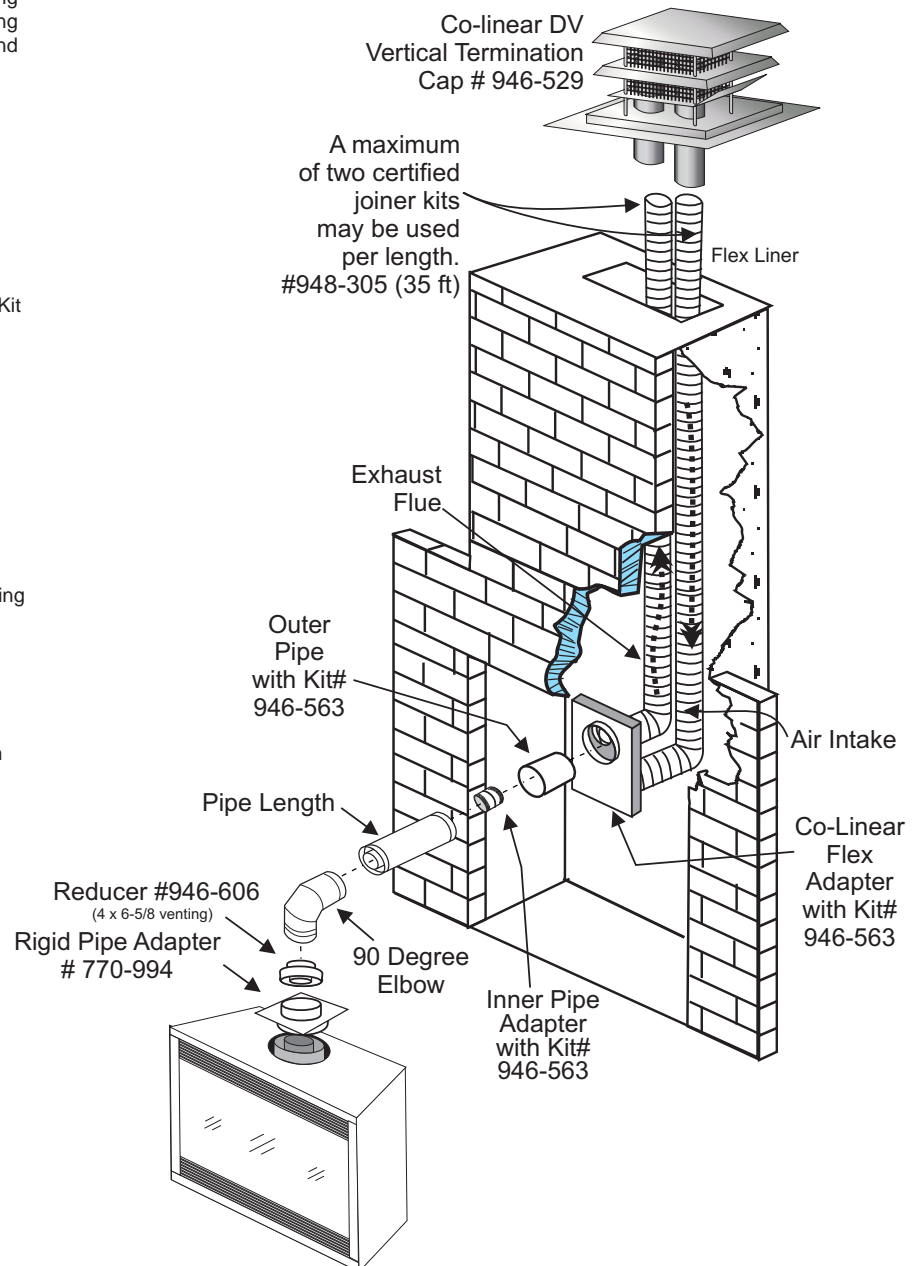
Part #	Description
946-529	Co-linear DV Vertical Termination Cap
948-305	3" Flex - 35 ft.
946-563	Co-Axial to Co-Linear Adapter Kit which contains the following: Co-linear Flex Adapter Outer Pipe Inner Pipe Adapter
770-994	Rigid Pipe Adaptor
946-606	Vent Reducer

### Alternate Approved Caps

46dva-VC	Vertical Termination Cap
46dva-VCH	High Wind Cap
46dva-GK	3" Co-linear Adapter with flashing

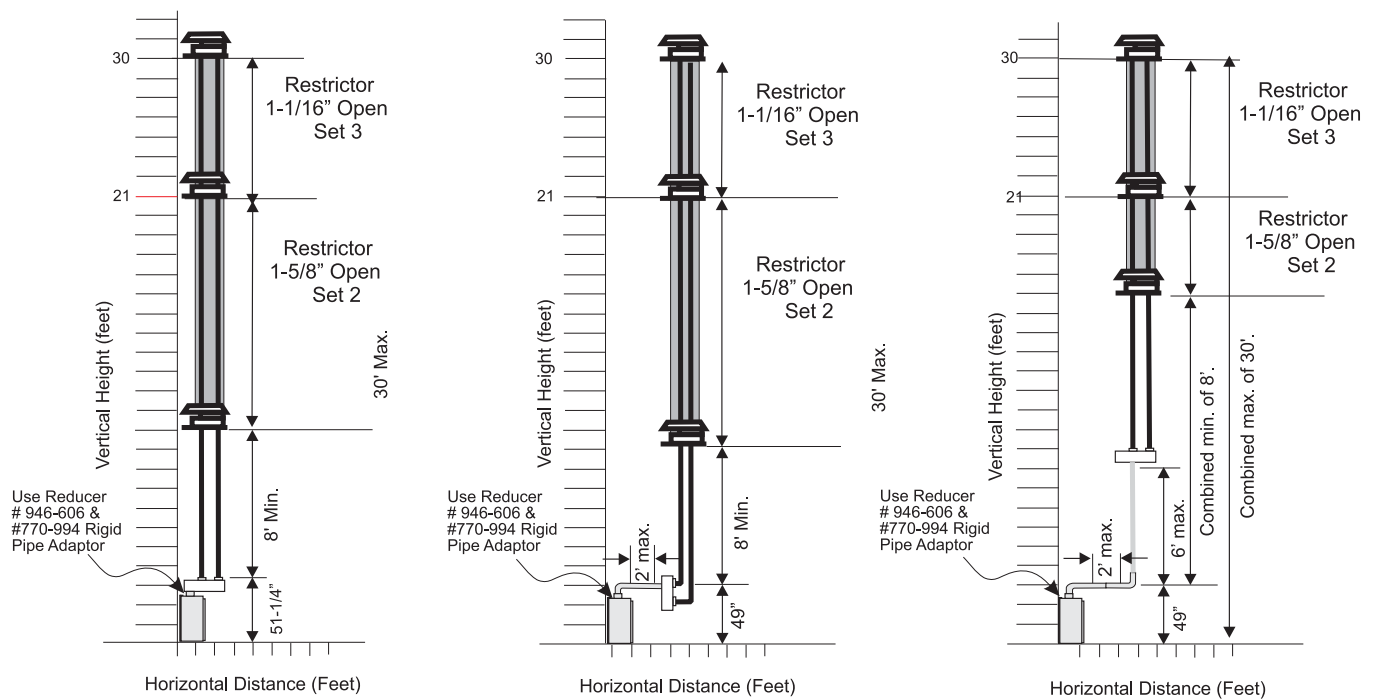
### NOTE:

See detailed venting arrangements, vertical terminations, co-linear flex system into masonry fireplaces in this manual.



## VERTICAL TERMINATIONS CO-LINEAR FLEX SYSTEM INTO MASONRY FIREPLACES

FOR BOTH RESIDENTIAL & MANUFACTURED HOMES



The shaded area in the diagrams show the allowable vertical terminations.

## UNIT INSTALLATION WITH HORIZONTAL TERMINATION

4" X 6-5/8" OR 5" X 8" VENTING  
(Rigid Vent Systems)

### Minimum Vent Clearances to Combustibles

\* Clearances noted below must be maintained; except when passing through a wall, ceiling or at the termination where the use of a firestop or wall thimble reduces clearance to 1-1/2" (38mm).

Horizontal Top*	2" (51mm)*
Horizontal Side	1-1/2" (38mm)
Horizontal Bottom	1-1/2" (38mm)
Vertical Vent	1-1/2" (38mm)

Below are the recommended framing dimensions (inside measurements) for the 4" x 6-5/8" and 5" x 8" rigid vent terminations - for use with a firestop or wall thimble.

Recommended Framed Opening Size	
Vent Size	Framing Size
4" x 6 - 5/8"	10" x 10"
5" x 8"	11" x 11"

Install the vent system according to the manufacturer's instructions included with the components.

- 1) Set the unit in its desired location. Check to determine if wall studs or roof rafters are in the way when the venting system is attached. If this is the case, you may want to adjust the location of the unit. Rough in the gas preferably on the right side of the unit and the electrical (junction block is on the left side) on the left.
- 2) Direct Vent pipe and fittings are designed with special twist-lock connections to connect the venting system to the appliance flue outlet. A twist-lock appliance adaptor is required.
- 3) In conjunction with the Approved Vent system, install the adaptor after the unit is set in its desired location. Put a bead of high temperature silicone inside the outer section of the adapter and a bead of Mill Pack on the inner collar. Slip the adapter over the existing inner and outer flue collar. Fasten to the outer collar only with the 3 supplied screws (drilling pilot holes will make this easier).
- 4) Level the fireplace and fasten it to the framing using nails or screws through the top and side nailing strips.

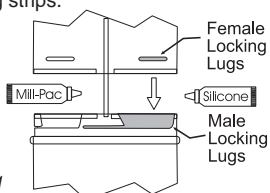


Diagram 1

- 5) Assemble the desired combination of pipe and elbows to the appliance adaptor and twist-lock for a solid connection.

**Note:** For best results and optimum performance with each approved venting system, it is highly recommended to apply "Mill-Pac" sealant (supplied) to every inner pipe connection. Failure to do so may result in drafting or performance issues not covered under warranty. Silicone (red RTV) is optional.

**Horizontal runs of vent must be supported every 3 feet (0.9meter). Wall straps are available for this purpose.**

- 6) Mark the wall for a square hole.-see chart to left for size. The center of the square hole should line up with the center-line of the horizontal pipe. Cut and frame the square hole in the exterior wall where the vent will be terminated. See diagram 2 for center line requirements.

If the wall being penetrated is constructed of non-combustible material, i.e. masonry block or concrete, an 8" (203mm) diameter hole is acceptable.

**Note:**

- a) The horizontal run of vent must be level, or have a 1/4 inch rise for every 1 foot of run towards the termination. Never allow the vent to run downward. This could cause high temperatures and may present the possibility of a fire.
- b) The location of the horizontal vent termination on an exterior wall must meet all local and national building codes, and must not be blocked or obstructed. See "Exterior Vent Termination Locations" section for more details.

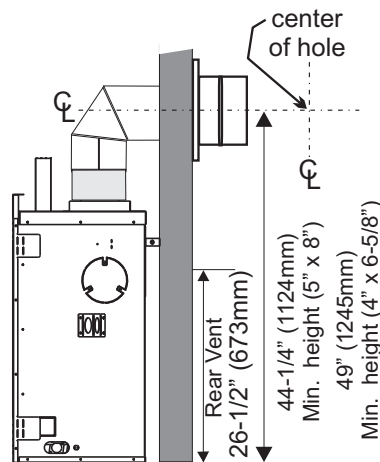


Diagram 2

- 7) Ensure that the pipe clearances to combustible materials are maintained (Diagram 5). Install the termination cap.

**Note:** If installing termination on a vinyl siding covered wall, a vinyl siding standoff or furring strips must be used to ensure that the termination is not recessed into the siding.

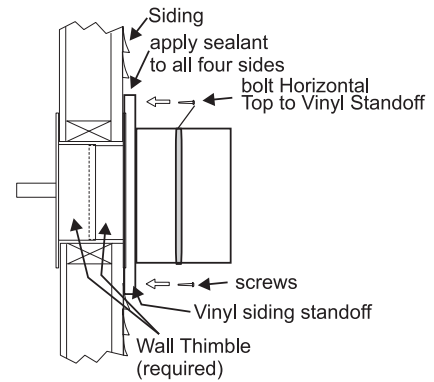


Diagram 5

The four wood screws provided should be replaced with appropriate fasteners for stucco, brick, concrete, or other types of sidings.

- 8) Before connecting the horizontal run of vent pipe to the vent termination, slide the Wall Thimble over the vent pipe. The wall thimble is required for all horizontal terminations.
- 9) Slide the appliance and vent assembly towards the wall carefully inserting the vent pipe into the vent cap assembly. It is important that the vent pipe extends into the vent cap sufficient distance so as to result in a minimum pipe overlap of 1-1/4 inches (32mm). Secure the connection between the vent pipe and the vent cap.
- 10) Install wall thimble in the center of the framed hole and attach with wood screws (Diagram 7).

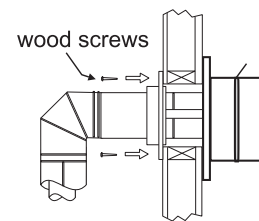


Diagram 7

# INSTALLATION

## UNIT INSTALLATION WITH HORIZONTAL TERMINATION 5" X 8" VENTING (Flex Vent Systems)

### Minimum Vent Clearances to Combustibles

\* Clearances noted below must be maintained; except when passing through a wall, ceiling or at the termination where the use of a firestop or wall thimble reduces clearance to 1-1/2" (38mm).

Horizontal Top	2" (51mm)
Horizontal Side	1-1/2" (38mm)
Horizontal Bottom	1-1/2" (38mm)
Vertical Vent	1-1/2" (38mm)

Below are the recommended framing dimensions (inside measurements) for the 4" x 6-5/8" and 5" x 8" rigid vent terminations - for use with a firestop or wall thimble.

Recommended Framed Opening Size	
Vent Size	Framing Size
5" x 8"	11" x 11"

- 1) Locate the unit in the framing, rough in the gas (preferably on the right side of the unit). Locate the centerline of the termination and mark wall accordingly. Cut an square hole in the wall - see chart (inside dimension).

**Note:** If installing termination on a siding covered wall, a vinyl siding standoff or vinyl furring strips must be used to ensure that the termination is not recessed into the siding.

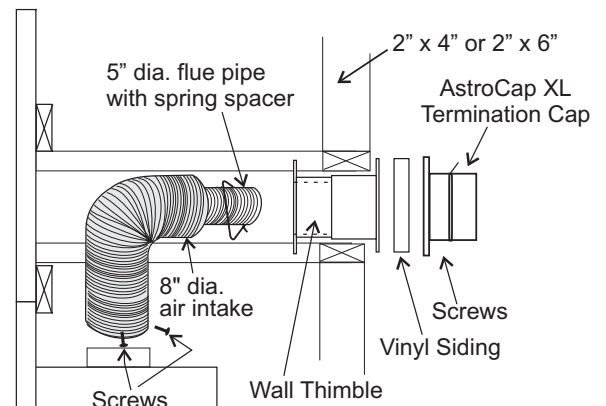
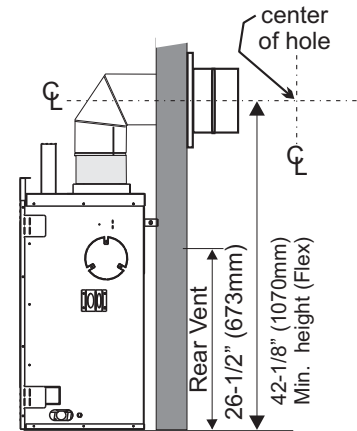
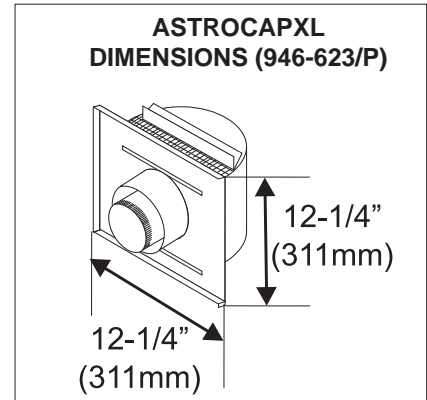


- 2) Level the fireplace and fasten it to the framing using nails or screws through the nailing strips.
- 3) Assemble the vent assembly by applying Mill Pac to the inner flue collar of the termination and slipping the inner flex liner over it at least 1-3/8" (35mm). Fasten with the 3 screws (drilling pilot holes will make this easier). Apply Mill Pac or high temperature silicone to the outer flex pipe and slip it over the outer flue collar of the vent terminal at least 1-3/8" (35mm) and fasten with the 3 screws.

**NOTE:** Horizontal sections must be supported at intervals not exceeding 3 feet (0.9 meter). (Flame picture and performance will be affected by sags in the liner).

- 4) Separate the 2 halves of the wall thimble and securely fasten the one with the tabs to the outside wall making sure that the tabs are on top and bottom. Fasten the other thimble half to the inside wall. The thimble halves slip inside each other and can be adjusted for 2 x 4 or 2 x 6 walls.
- 5) Slip the assembled liner and termination assembly through the thimble making sure the termination cap faces up (there are markings on the cap that show which way is up). This will position the termination cap with proper down slope for draining water. Fasten the cap to the outer wall with the 4 supplied screws.
- 6) Pull the centre inner and outer flex liner out enough to slip over the flue collars of the fireplace. (You may wish to cut the liner shorter to make it more workable.) Do not bend liner more than 90°. **The liners must slip over the collars a minimum of 1-3/8".**
- 7) Apply Mill Pac over the fireplace inner flue collar and slip the inner flex liner down over it and attach with 3 supplied screws.
- 8) Do the same with the outer flue collar and outer flex liner.
- 9) Apply a bead of silicone between the thimble and termination and around the outer edge of the terminal at the wall in order to keep the water out.

**IMPORTANT:** Do not locate termination hood where excessive snow or ice buildup may occur. Be sure to check vent termination area after snow falls, and clear to prevent accidental blockage of venting system. When using snow blowers, make sure snow is not directed towards vent termination area.



## UNIT INSTALLATION WITH VERTICAL TERMINATION 4" X 6-5/8" VENTING (Rigid Vent Systems)

(MUST USE REDUCER #946-606 AND RIGID PIPE ADAPTOR #770-994)

- 1) Maintain the 1-1/2" clearances (air spaces) to combustibles when passing through ceilings, walls, roofs, enclosures, attic rafter, or other nearby combustible surfaces. Do not pack air spaces with insulation. Check "Venting" Sections for the maximum vertical rise of the venting system and the maximum horizontal offset limitations.

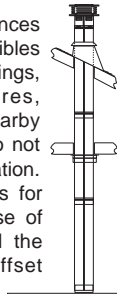


Diagram 1

- 2) Set the gas appliance in its desired location. Drop a plumb bob down from the ceiling to the position of the appliance flue exit, and mark the location where the vent will penetrate the ceiling. Drill a small hole at this point. Next, drop a plumb bob from the roof to the hole previously drilled in the ceiling, and mark the spot where the vent will penetrate the roof.
- 3) A Firestop spacer must be installed in the floor or ceiling of every level. To install the Firestop spacer in a flat ceiling or wall, cut a 10 inch square hole. Frame the hole as shown in Diagram 2 and install the firestop.

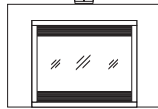
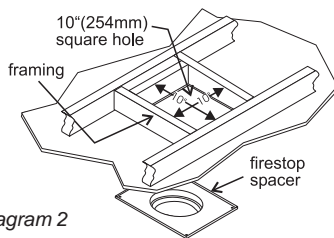
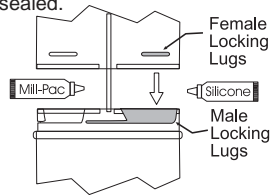


Diagram 2

**Note: All vertical terminations are vented using 4" x 6-5/8" venting and reducer #946-606 and rigid pipe adaptor #770-994.**



- 4) Assemble the desired lengths of pipe and elbows. Ensure that all pipes and elbow connections are in the fully twist-locked position and sealed.



**NOTE: For best results and optimum performance with each approved venting system, it is highly recommended to apply "Mill-Pac" sealant (supplied) to every inner pipe connection. Failure to do so may result in drafting or performance issues not covered under warranty. Silicone (red RTV) is optional.**

- 5) Cut a hole in the roof centered on the small drilled hole placed in the roof in Step 2. The hole should be of sufficient size to meet the minimum requirements for clearance to combustibles of 1-1/2". Slip the flashing under the shingles (shingles should overlap half the flashing) as per Diagram 3.

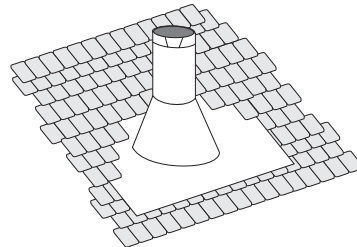


Diagram 3: The upper half of the flashing is installed under the roofing material and not nailed down until the chimney is installed. This allows for small adjustments.

- 6) Continue to assemble pipe lengths.

**Note: If an offset is necessary in the attic to avoid obstructions, it is important to support the vent pipe every 3 feet, to avoid excessive stress on the elbows, and possible separation. Wall straps are available for this purpose.**

Galvanized pipe is desirable above the roofline due to its higher corrosion resistance. Continue to add pipe sections through the flashing until the height of the vent cap meets the minimum height requirements specified in Dia. 4 or local codes. Note that for steep roof pitches, the vertical height must be increased. A poor draft, or down drafting can result from high wind conditions near big trees or adjoining roof lines, in these cases, increasing the vent height may solve the problem.

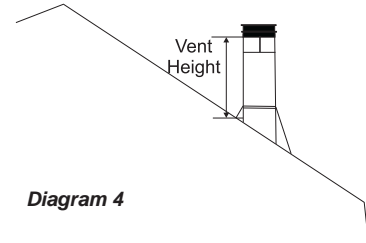


Diagram 4

Roof Pitch	Minimum Vent Height	
	Feet	Meters
flat to 7/12	2	0.61
over 7/12 to 8/12	2	0.61
over 8/12 to 9/12	2	0.61
over 9/12 to 10/12	2.5	0.76
over 10/12 to 11/12	3.25	0.99
over 11/12 to 12/12	4	1.22
over 12/12 to 14/12	5	1.52
over 14/12 to 16/12	6	1.83
over 16/12 to 18/12	7	2.13
over 18/12 to 20/12	7.5	2.29
over 20/12 to 21/12	8	2.44

- 7) Ensure vent is vertical and secure the base of the flashing to the roof with roofing nails, slide storm collar over the pipe section and seal with a mastic.
- 8) Install the vertical termination cap by twist-locking it.

*Note: Any closets or storage spaces, which the vent passes through must be enclosed.*

## GAS LINE INSTALLATION

The gas line is brought through the right side of the appliance. The gas valve is situated on the right hand side of the unit and the gas inlet is on the right hand side of the valve.

The gas line connection may be made of rigid pipe, copper pipe or an approved flex connector. (If you are using rigid pipe, ensure that the valve can be removed for servicing.) Since some municipalities have additional local codes it is always best to consult with your local authorities and the CAN/CGA B149 installation code.

For USA installations follow local codes and/or the current National Fuel Gas Code, ANSI Z223.1.

When using copper or flex connectors use only approved fittings. Always provide a union so that gas lines can be easily disconnected for servicing. Flare nuts for copper lines and flex connectors are usually considered to meet this requirement.

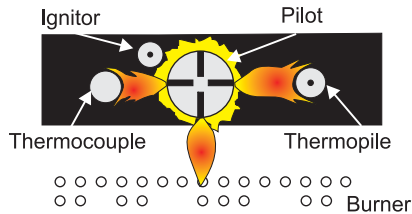
**Important: Always check for gas leaks with a soap and water solution or gas leak detector. Do not use open flame for leak testing.**

# INSTALLATION

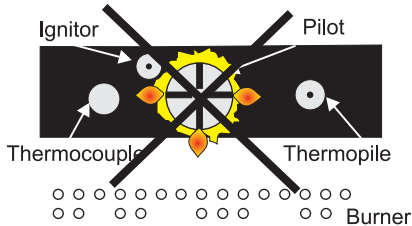
## PILOT ADJUSTMENT

Periodically check the pilot flames. Correct flame pattern has three strong blue flames: 1 flowing around the thermopile, 1 around the thermocouple and 1 flowing across the burner (it does not have to be touching the burner).

**Note:** If you have an incorrect flame pattern, contact your FPI dealer for further instructions.



Incorrect flame pattern will have small, probably yellow flames, not coming into proper contact with the rear burner or thermopile or thermocouple.



## HIGH ELEVATION

This unit is approved in Canada for altitude to 4500 ft. (CAN/CGA-2.17-M91). For Natural Gas installations above 4500 ft. follow current CAN/CGA-B149.1.

### B36XT -NG System Data

Conversion Kit # 576-969	
For 0 to 4500 feet altitude	
<b>Burner Inlet Orifice Sizes:</b> #35	
<b>Max. Input Rating</b>	31,000 Btu/h
<b>Min. Input Rating</b>	21,500 Btu/h
<b>Supply Pressure</b>	min.5.0" w.c.
<b>Manifold Pressure (High)</b>	3.5"+/- 0.2" w.c.
<b>Manifold Pressure (Low)</b>	1.6"+/- 0.2" w.c.

### B36XT - LP System Data

For 0 to 4500 feet altitude	
<b>Burner Inlet Orifice Sizes:</b> #51	
<b>Max. Input Rating</b>	31,000 Btu/h
<b>Min. Input Rating</b>	25,000 Btu/h
<b>Supply Pressure</b>	min.11.0" w.c.
<b>Manifold Pressure (High)</b>	10"+/- 0.2"w.c.
<b>Manifold Pressure (Low)</b>	6.4"+/- 0.2"w.c.

## GAS PIPE PRESSURE TESTING

The appliance must be isolated from the gas supply piping system by closing its individual manual shut-off valve during any pressure testing of the gas supply piping system at test pressures equal to or less than 1/2 psig. (3.45 kPa). Disconnect piping from valve at pressures over 1/2 psig.

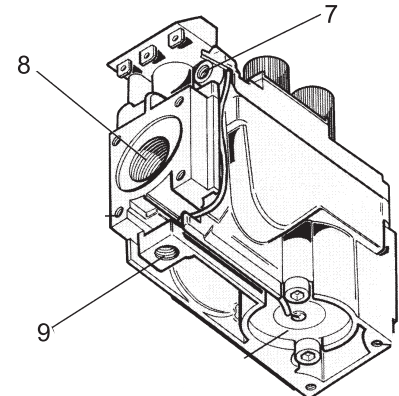
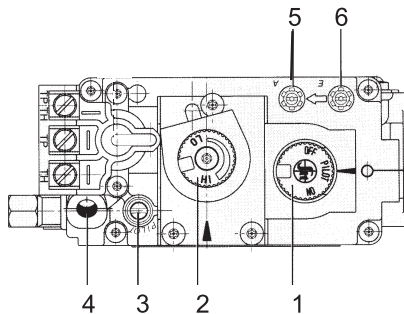
The manifold pressure is controlled by a regulator built into the gas control, and should be checked at the pressure test point.

**Note:** To properly check gas pressure, both inlet and manifold pressures should be checked using the valve pressure ports on the valve.

- 1) Make sure the valve is in the "OFF" position.
- 2) Loosen the "IN" and/or "OUT" pressure tap(s), turning counterclockwise with a 1/8" wide flat screwdriver.
- 3) Attach manometer to "IN" and/or "OUT" pressure tap(s) using a 5/16" ID hose.
- 4) Light the pilot and turn the valve to "ON" position.
- 5) The pressure check should be carried out with the unit burning and the setting should be within the limits specified on the safety label.
- 6) When finished reading manometer, turn off the gas valve, disconnect the hose and tighten the screw (clockwise) with a 1/8" flat screwdriver. **Note: Screw should be snug, but do not over tighten.**

## S.I.T. VALVE DESCRIPTION

- 1) Gas on/off knob
- 2) Manual high/low adjustment
- 3) Pilot Adjustment
- 4) Thermocouple Connection - option
- 5) Outlet Pressure Tap
- 6) Inlet Pressure Tap
- 7) Pilot Outlet
- 8) Main Gas Outlet
- 9) Alternative TC Connection Point



## CONVERSION KIT# 576-969 FROM NG TO LP

for B36XT using SIT 820 NOVA Gas Valve

**THIS CONVERSION MUST BE DONE BY A QUALIFIED GAS FITTER  
IF IN DOUBT DO NOT DO THIS CONVERSION !!**

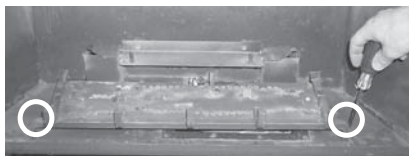
### Each Kit contains one LP Conversion Kit # 576-969

#### Conversion Kit Contains:

Qty.	Part #	Description
1	904-645	Burner Orifice #51
1	904-529	5/32" Allen Key
1	918-590	Decal "Converted to LPG"
1	908-528	Red "LP" label
1	910-037	LP Injector (Pilot Orifice)
1	918-820	Instruction Sheet

### Installation of LP Conversion Kit:

- 1) Shut off the gas and electrical supply.
- 2) Remove the louvers (and Arch screen doors if they are installed).
- 3) Open the flush door and remove the door.
- 4) Remove the logs and embers (if already installed).
- 5) Loosen the 2 screws holding the Burner Assembly to the firebox base. Slide the Burner Assembly to the left to release it from the orifice and lift out.



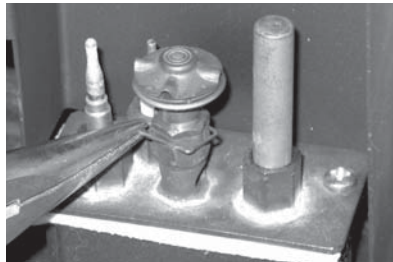
Remove the 2 screws, push Burner Assembly to the left and lift out.



- 6) Remove the pilot shield by removing 2 screws.



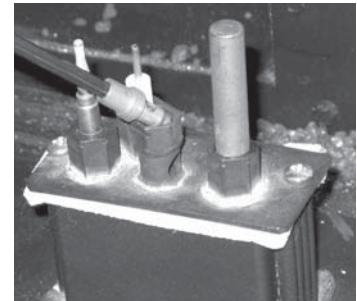
- 7) Remove the wire clip below the pilot cap.



- 8) Pull off the pilot cap to expose the pilot orifice.

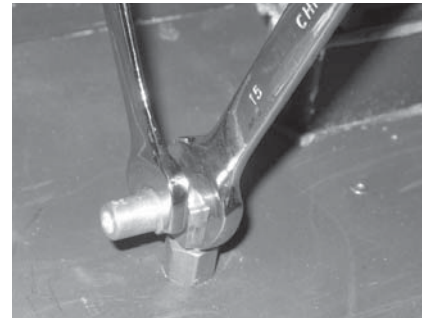


- 9) Unscrew the pilot orifice with the allen key; then replace with the LPG pilot orifice, provided in the kit.



- 10) Re-install pilot cap and pilot shield.

- 11) Remove burner orifice with a 1/2" wrench. Use another wrench to hold on to the elbow behind the orifice. Discard orifice.



- 12) Reinstall new burner orifice LPG stamped #51 and tighten.

- 13) Reinstall burner assembly.

- 14) Adjust aeration accordingly.- see manual for details.

# INSTALLATION

- 15) Turn control knob to the "OFF" position.
- 16) Remove the black protection cap by hand from the hi-low knob (Fig.1).



Cap

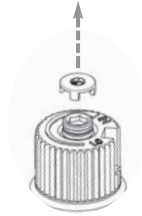


Fig. 1

- 17) Insert a 5/32" or 4mm Allen wrench into the hexagonal key-way of the screw (Fig. 2), rotate it counter-clockwise until it is free and extract it.



Fig. 2

- 18) Check that the screw is clean and if necessary remove dirt.
- 18) Flip the screw (Fig. 3).



Red O-ring

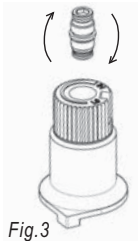


Fig. 3

- 19) Using the Allen wrench as shown in Fig.4, rotate the screw clockwise until snug, do not overtighten.



Fig. 4

**WARNING!**  
Do not over tighten the screw.  
Recommended to grip the wrench by the short side.

- 20) Verify that if the conversion is from NG to LPG, the screw must be re-assembled with the red o-ring visible (Fig. 5).
- 21) Re-assemble the black protection cap (Fig. 6).

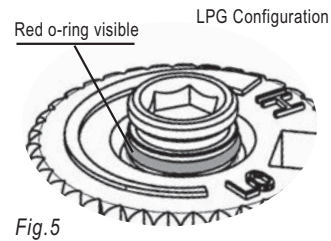


Fig. 5



Fig. 6

- 22) Reverse steps 8 - 1.
- 23) Attach the label "This unit has been converted to LPG" near or on top of the serial # decal.

**WARNING!**  
Also check that the pilot and main burner injectors are appropriate for the gas type.

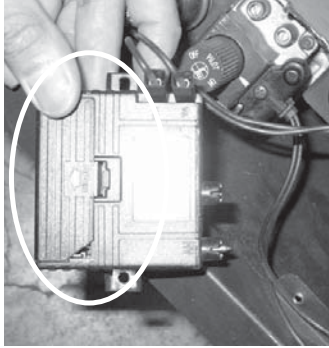
- 24) Replace yellow "NG" label with red "LPG" label.



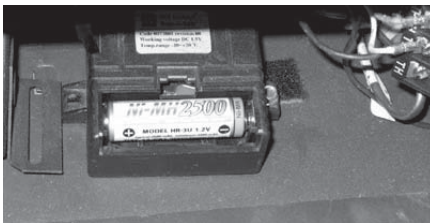
## DC SPARKER BATTERY REPLACEMENT

### DC Sparker Battery Replacement

- 1) Remove the battery cover from the DC Sparker - remove the AA battery.



- 2) Replace with a new 'AA' battery and reinstall battery cover.

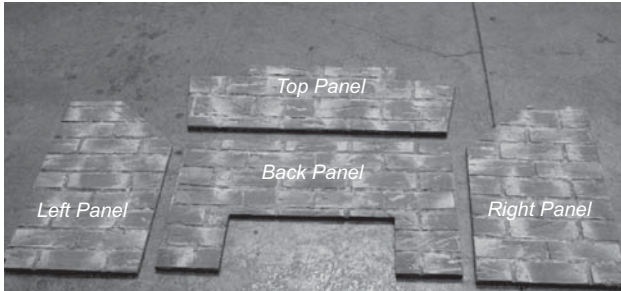


# INSTALLATION

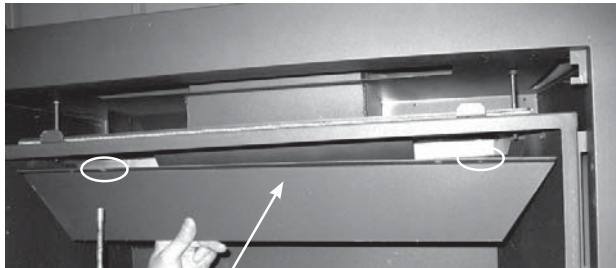
## BRICK PANEL INSTALLATION

Dangerous operating conditions may occur if the panels are broken.  
Handle with care. DO NOT FORCE INTO POSITION.

- 1) Unwrap the Brick Panels from the protective wrapping.
- 2) Ensure that the logs are not in the unit.



- 3) Remove the heat deflector (if installed) by removing the 2 screws securing the heat deflector from the top of the firebox.



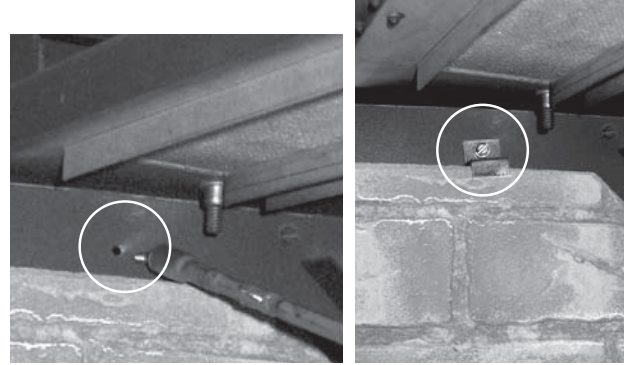
Heat deflector

- 4) Install the back brick panel first - use caution when clearing the burner assembly and rear log tray so the panel is not damaged.

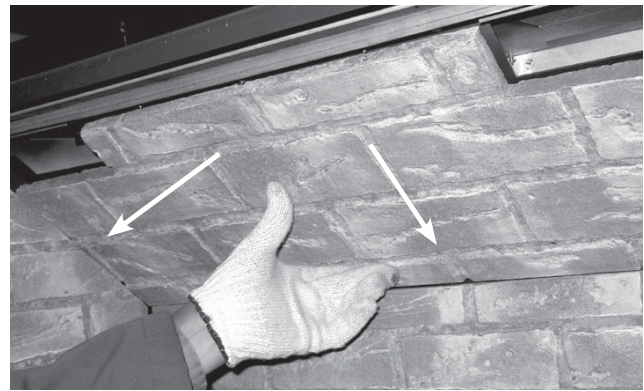
**Note:** Ensure that an equal space (gap) is maintained on both the right and left side - when installing the back panel.



Back Panel Installed

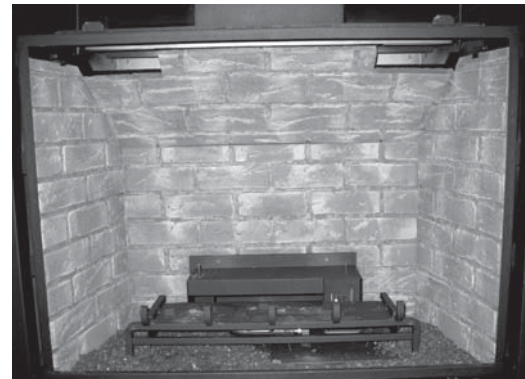


- 5) Remove the hex head screw on the upper left side of the firebox wall.  
Position left brick panel in place and secure with the brick panel clip and screw.



- 6) Slide top brick panel under left and back brick panel, use care not to damage panel.

- 7) Right brick panel is installed last, follow the same procedure as for left panel (see step 5).



Final Brick Panel Installation

- 8) Reinstall top heat deflector (reverse Step 3).

## OPTIONAL STAINLESS STEEL / BLACK ENAMEL PANEL INSTALLATION

Before installation, panels must be handled and cleaned as per instructions noted below:

Stainless Steel Panels	Black Enamel Panels
<ul style="list-style-type: none"> <li>Stainless panels must be inspected for scratches and dimples prior to installation. All claims to be recorded at this time. Claims for damage after installation will not receive consideration.</li> </ul>	<ul style="list-style-type: none"> <li>Black Enamel panels must be inspected for scratches and dimples prior to installation. All claims to be recorded at this time. Claims for damage after installation will not receive consideration.</li> </ul>
<ul style="list-style-type: none"> <li><b>To protect the finish during installation and handling</b> - cotton gloves <b>MUST</b> be worn at all times while handling the panels (even when removing protective coating).</li> </ul>	
<ul style="list-style-type: none"> <li>Stainless panels will discolor a little during normal operation. This is normal and should not be considered a defect.</li> </ul>	<ul style="list-style-type: none"> <li>Black Enamel panels will discolor a little during normal operation. This is normal and should not be considered a defect.</li> </ul>
<ul style="list-style-type: none"> <li>* All hand and finger marks <b>MUST</b> be cleaned off with a soft cloth and a stainless steel cleaner. Most stainless steel cleaners leave a film/residue on the surface of the panels. Use an ammonia based cleaner (ie. glass cleaner) to remove this film before applying heat to the unit. <b>Failure to do this will result in burn stains on panels which you will be unable to remove.</b> Not protected by product warranty.</li> </ul>	<ul style="list-style-type: none"> <li>* All hand and finger marks <b>MUST</b> be cleaned off with a soft cloth. Use an ammonia based cleaner (ie. glass cleaner) to remove any fingerprints before applying heat to the unit. <b>Failure to do this will result in burn stains on panels which you will be unable to remove.</b> Not protected by product warranty.</li> </ul>

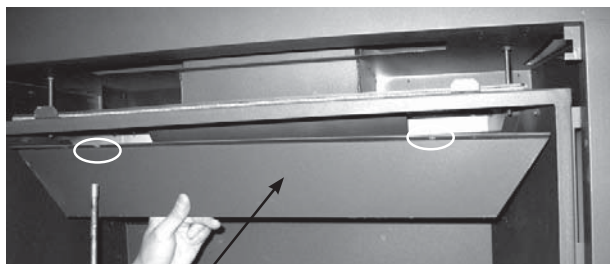
### STAINLESS STEEL PANEL INSTALLATION

**Note:** Panels must be installed prior to the installation of the log set and vermiculite.



Diagram 1

1) Remove the heat deflector by removing the 2 screws securing the heat deflector to the top of the firebox (see Diagram 2).



Heat deflector

Diagram 2

2) Loosen the 2 baffle screws - position the top panel inside the firebox shown in Diagram 4. Slide slots of top panel into position under loosened screws, retighten the screws.

Slots on Top Panel



Diagram 3



Diagram 4

3) Slide back panel in over burner - be careful not to scratch panel on back log tray, burner, or top panel when positioning.



Diagram 5

# INSTALLATION

4) Remove 1 screw (see inset A), position right side panel in firebox - position panel clip in place and secure with 1 screw (see inset B). Tighten the screw.

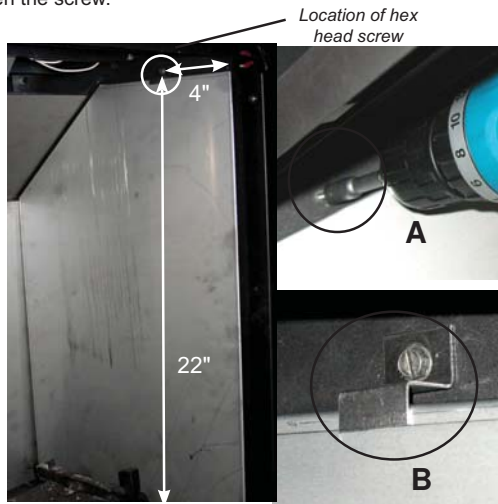


Diagram 6

5) Repeat step 4 for left side panel.

6) Reverse step 1.



Final Installation

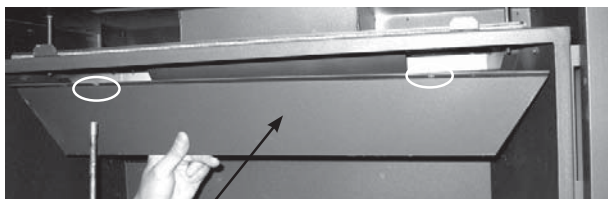
Diagram 7

## BLACK ENAMEL PANEL INSTALLATION



Diagram 1

1) Remove the heat deflector by removing the 2 screws securing the heat deflector to the top of the firebox (see Diagram 2).



Heat deflector

Diagram 2

2) Install the back panel first - use care when clearing the burner assembly and rear log tray, so panel is not scratched.

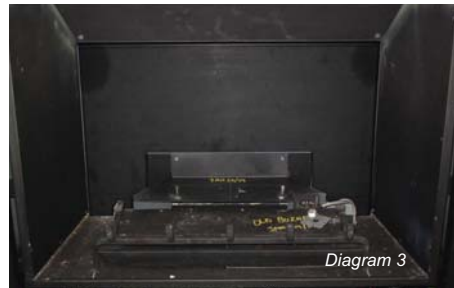


Diagram 3

3) Install the top panel next - slide the panel in over top of the back panel - orient the panel so the fold in the metal faces in (see inset A).



Diagram 4

4) Remove 1 screw (see inset A), position right side panel in firebox - position panel clip in place and secure with 1 screw (see inset B). Tighten the screw.

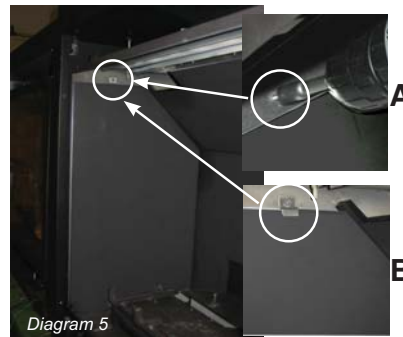


Diagram 5

5) Repeat step 4 for left side panel.

6) Reverse step 1.



Final Installation

Diagram 6

## LOG SET INSTALLATION

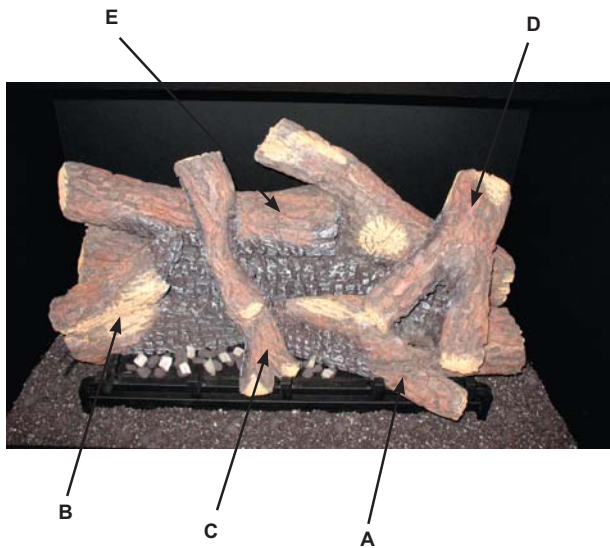
Installation of Optional Panels must be completed before installing the log set.

Read the instructions below carefully and refer to the images. If the logs are broken do not use the unit until they are replaced. Broken logs can interfere with pilot operation.

Improper positioning of the logs may create carbon build-up and can alter the unit's performance which is not covered under warranty.

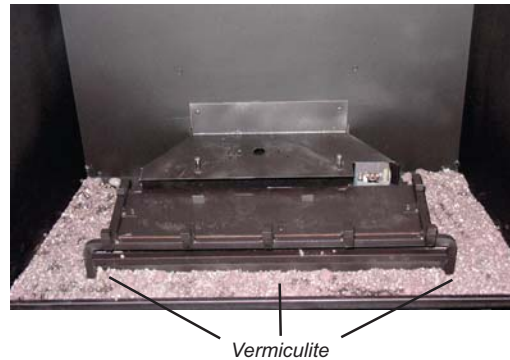
Log Kit #576-930 contains the following pieces:

A	Right Front Log
B	Left Front Log
C	Top Middle Log
D	Top Right Log
E	Rear Log
902-156	Lava Rocks
902-179	Vermiculite
946-669	Platinum Embers (supplied w/package manual)

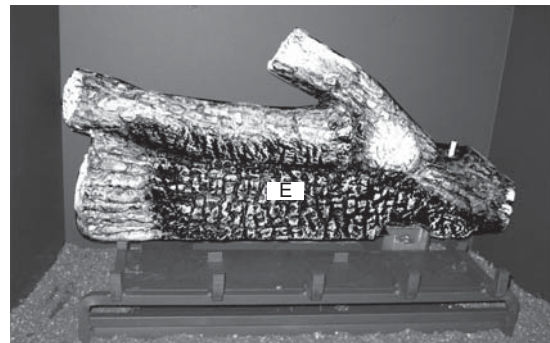


- 1) Carefully remove the logs from the packaging and unwrap them. The logs are fragile, handle with care - **do not force into position**.

- 2) Spread vermiculite along the base of the firebox.

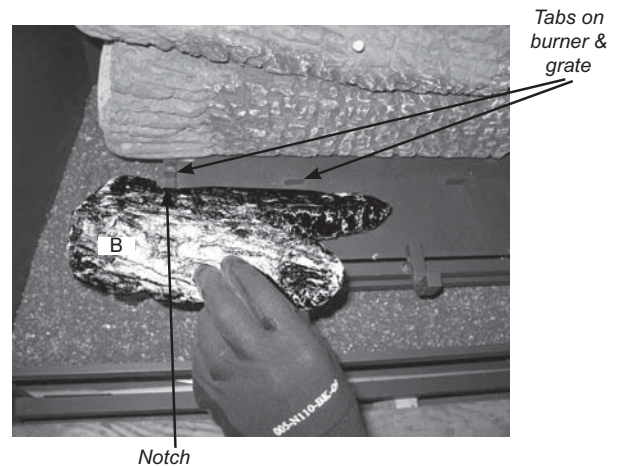


- 3) Place Log E on the rear log support pins with the flat side to the back.



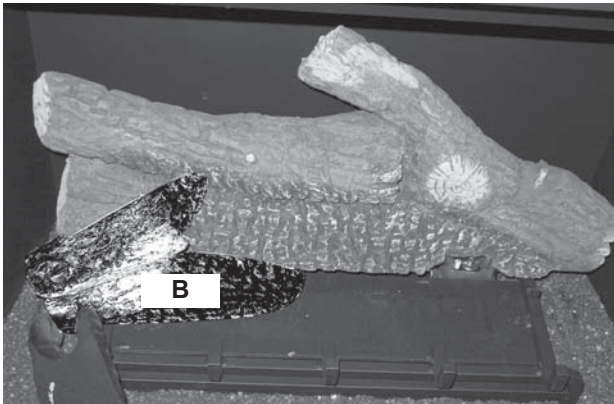
- 4) Place Log B on the front left side of the burner. Position the notch on the bottom left side of the log into the left side of the grate.

Slide Log B back towards Log E until the flat surface on Log B rests up against the tabs on the burner and grate - this maintains a necessary gap between Logs B & E.



**Note:** See final positioning of Log B on next page.

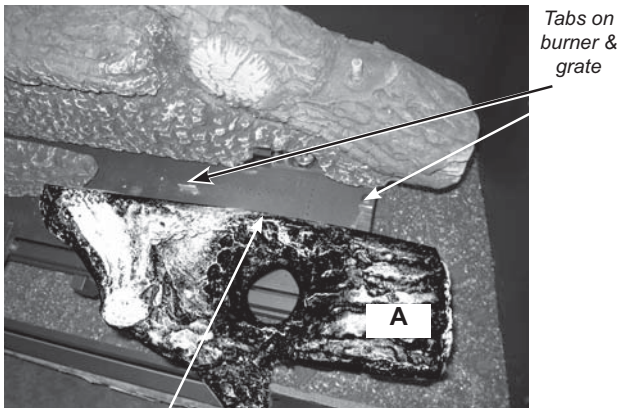
# INSTALLATION



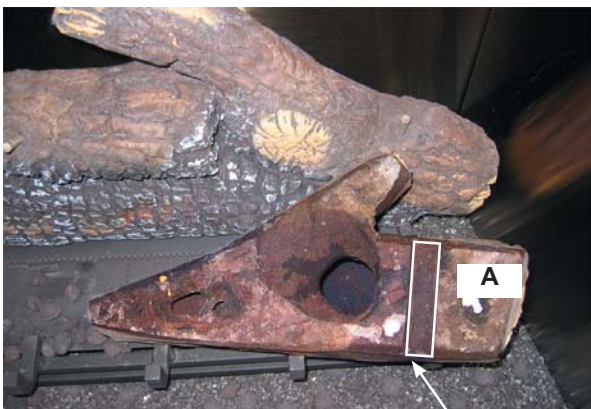
- 5) Place Log A on the front right side of the burner. Position the notch on the bottom right side of the log into the right side of the grate.

Slide Log A back towards Log E until the flat surface on Log A rests up against the tabs on the burner and grate - this maintains a necessary gap between Logs A & E.

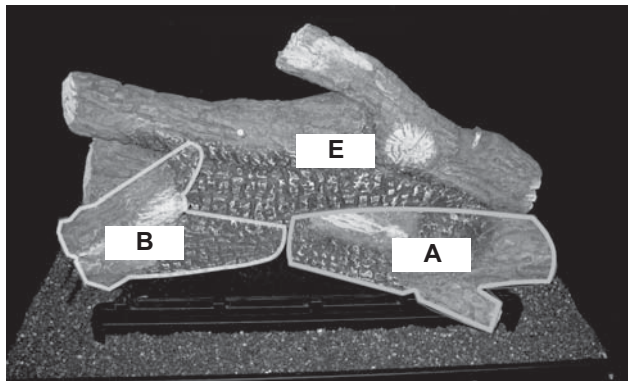
**Note:** Use the notch on the bottom of Log A as a guide -see below.



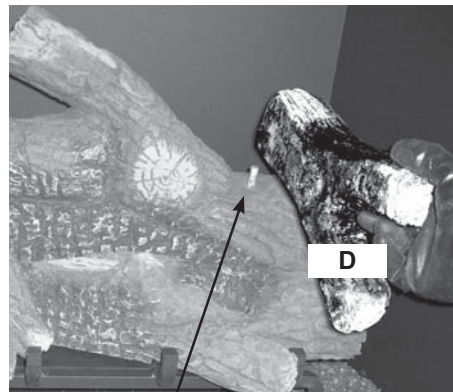
Back of Log A



Notch location on underside of Log A (runs from back - front)

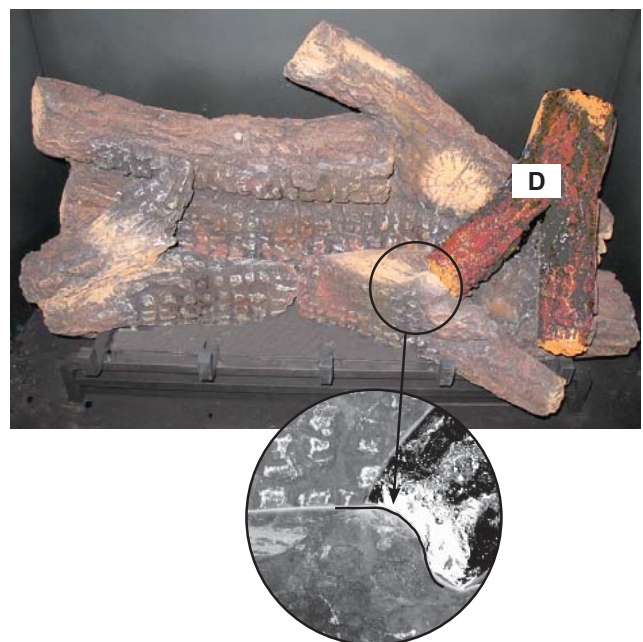


- 6) Position Log D with the flat side toward Log E. Fit Log D into right peg on Log E.



Right Peg - Log E

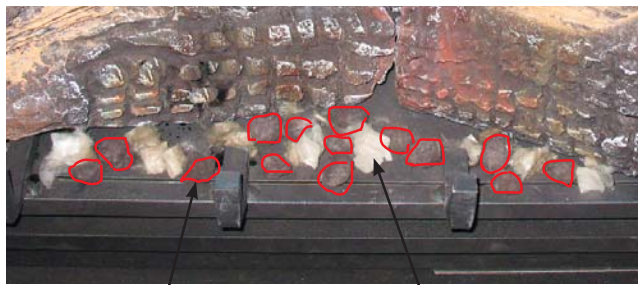
- 7) The notch on the bottom of Log D rests against the knot on Log A (as shown below).



## INSTALLATION

- 8) Place the lava rocks on the front of the burner tray in the places shown in the photo.

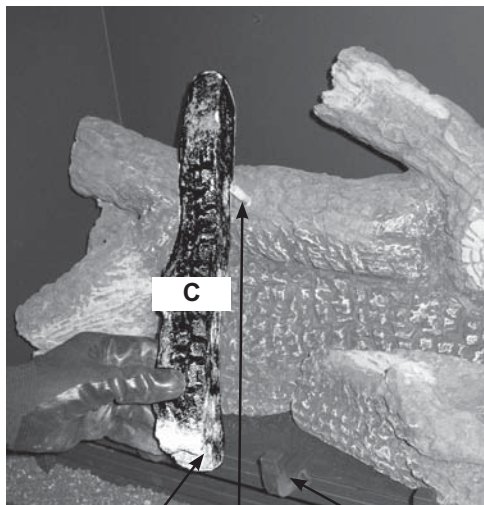
Separate platinum embers and place on the front of the burner tray in and around the lava rocks. Avoid stacking platinum embers. Platinum embers may be placed over burner ports.



Lava Rocks

Platinum Embers

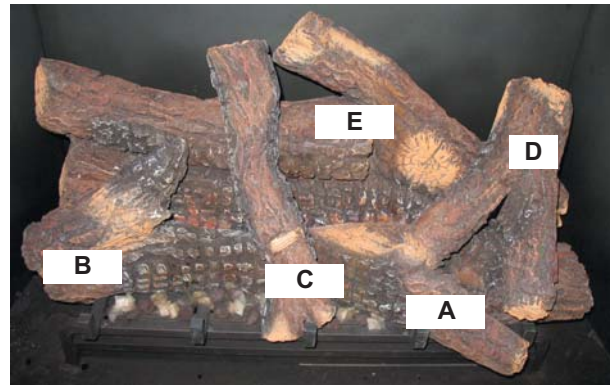
- 9) Position Log C with the flat side toward Log E.  
Fit Log C onto left peg on Log E - the notch on the bottom of Log C rests against the 3rd (from the left) grate post.



Notch in log C

Left Peg - Log E

3rd Grate Post



- 10) Test fire to ensure proper light off (make sure flame flows smoothly from one end of the burner to the other). If there is any flame hesitation, check that area for any blockage of the burner ports.

# INSTALLATION

## Optional WALL THERMOSTAT

A wall thermostat may be installed if desired, connect the wires as per the wiring diagram. Use table below to determine the maximum wire length.

**Note: Preferable if the thermostat is installed on an interior wall.**

Regency® offers an optional programmable thermostat but any 250-750 millivolt rated non-anticipator type thermostat that is CSA, ULC or UL approved may be used.

**CAUTION**  
Do not wire millivolt wall thermostat wires to 120V wire.

**Thermostat Wire Table**

Recommended Maximum Lead Length (Two-Wire) When Using Wall Thermostat (CP-2 System)	
Wire Size	Max. Length
14 GA.	50 Ft.
16 GA.	32 Ft.
18 GA.	20 Ft.
20 GA.	12 Ft.
22 GA.	9 Ft.

## Optional REMOTE CONTROL

Use the Regency® Remote Control Kit approved for this unit. Use of other systems may void your warranty.

The remote control kit comes with a hand held transmitter, a receiver and a wall mounting plate.

- 1) Choose a convenient location on the wall to install the receiver and the receptacle box (protection from extreme heat is very important). Run wires from the fireplace to that location. Use Thermostat Wire Table.
- 2) Connect the two wires to the gas valve. See diagram below.

**CAUTION**  
Do not wire millivolt remote control wires to 120V wire.

- 3) Install 3 AAA alkaline batteries in transmitter and 4 AA alkaline batteries in the receiver. Install the receiver and its cover in the wall. Switch the remote receiver to "remote" mode. The remote control is now ready for operation.

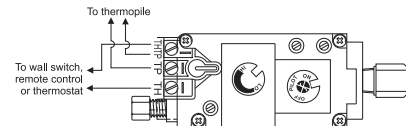
## Optional WALL SWITCH

- 1) Run the supplied 10' of wire through the right or left side gas inlet opening. Be careful not to damage wire.

**Note: We recommend a maximum of 10' of wire but if you wish to go with a longer run, use the Thermostat Wire Table.**

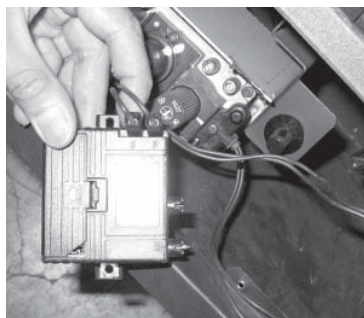
- 2) Connect the wire to a wall switch and install into the receptacle box. Also attach wires to the valve as shown below.

**CAUTION**  
Do not wire millivolt wall switch wire to 120V wire.



## DC SPARKER BATTERY INSTALLATION

- 1) The DC Sparker requires 1 AA battery to operate. **Note:** Pilot cannot be lit without battery in place.
- 2) Remove the battery cover from the DC Sparker.
- 3) Insert 1 AA battery, as illustrated below. Replace the battery cover.





## OPTIONAL FAN INSTALLATION

**Important:** 120 Volt AC power is needed for the fan switch and blower. The receptacle box will be installed on the left hand side of the unit and will need to be wired by a qualified electrician prior to fan assembly being installed. The neutral (wider) slot of the polarized receptacle should be at the top.

**Unit must be grounded at all times. Do not cut the ground terminal off under any circumstances.**

- 1) Shut the power off.
- 2) Open the bottom louver. Remove the standard flush door.
- 3) Attach the red and black wires to fan motor as shown in diagram 1.

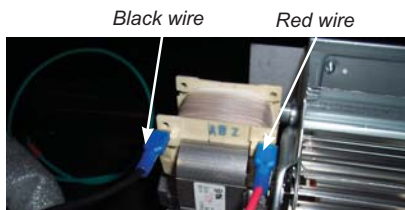


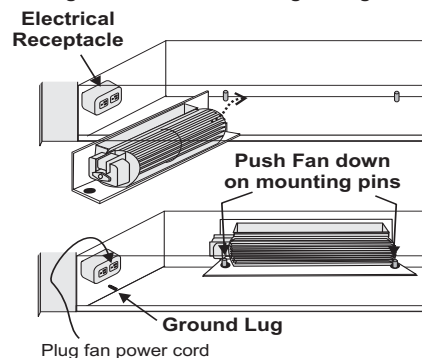
Diagram 1

- 4) Turn the fan base on its side (with the base facing towards you) and then slide the fan in towards the rear of the unit. Turn the fan upright and slip it over the two mounting studs. Take care not to damage the insulation on the fan base. Ensure that the fan blades do not rub against the valve tubing.



Diagram 2

- 5) Connect fan ground cable to ground lug. Refer to wiring diagram.



- 6) Slide the thermodisc/cover assembly into the bracket clip on the underside of the firebox. Check that no wire will touch the hot surfaces. Diagram 3 and 4.
- 7) Plug the fan power cord into the rear end of the receptacle box to provide the maximum clearance from the louvers.

\*Ensure that there is no interference with the wires when the louver is closed and that no wire will touch the hot metal surfaces or sharp edges.

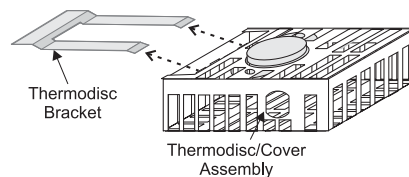


Diagram 3

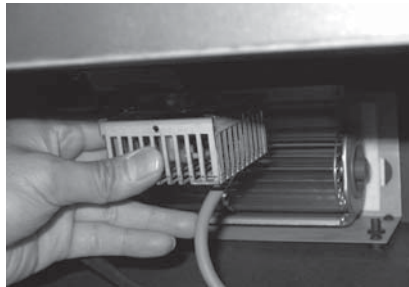


Diagram 4

- 8) Slide the the Fan control box under the clip on the floor of the firebox. (See Diagram 5)

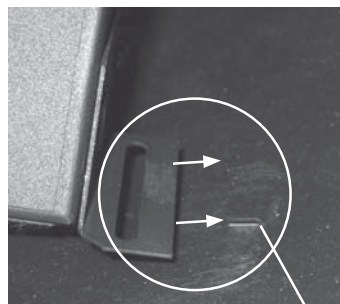


Diagram 5

- 9) Secure the fan wires and power cord by attaching one of the adhesive backed wire holder clips (Part #910-199) onto the unit base. Use the second clip to bundle up the wires approximately 4" from the control box.

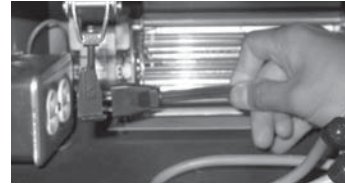


Diagram 6

## TO REMOVE THE FAN

- 1) Shut the power off.
- 2) Reverse the above instructions.

**Note:** The bearings are lubricated for life. Do not lubricate them. Make sure you vacuum the fan area on a regular basis.

**IMPORTANT:** These fans collect a lot of dust from within your home. Ensure you maintain these fan motors on a regular basis by vacuuming out the fan blades and housing using a soft brush nozzle.

# INSTALLATION

## AERATION ADJUSTMENT



Air shutter rod - located to the left of the valve assembly.

The burner aeration is factory set but may need adjusting due to either the local gas supply or altitude. Open the air shutter for a blue flame or close for a more yellow flame.

**CAUTION:** Carbon will be produced if air shutter is tightly closed.

**Note:** Any damage due to carboning resulting from improperly setting the aeration controls is NOT covered under warranty.

### Minimum Air Shutter Opening:

NG	1/4"
LP	3/8"

## WIRING DIAGRAM

**Caution:** Ensure that the wires do not touch any hot surfaces and are away from sharp edges.

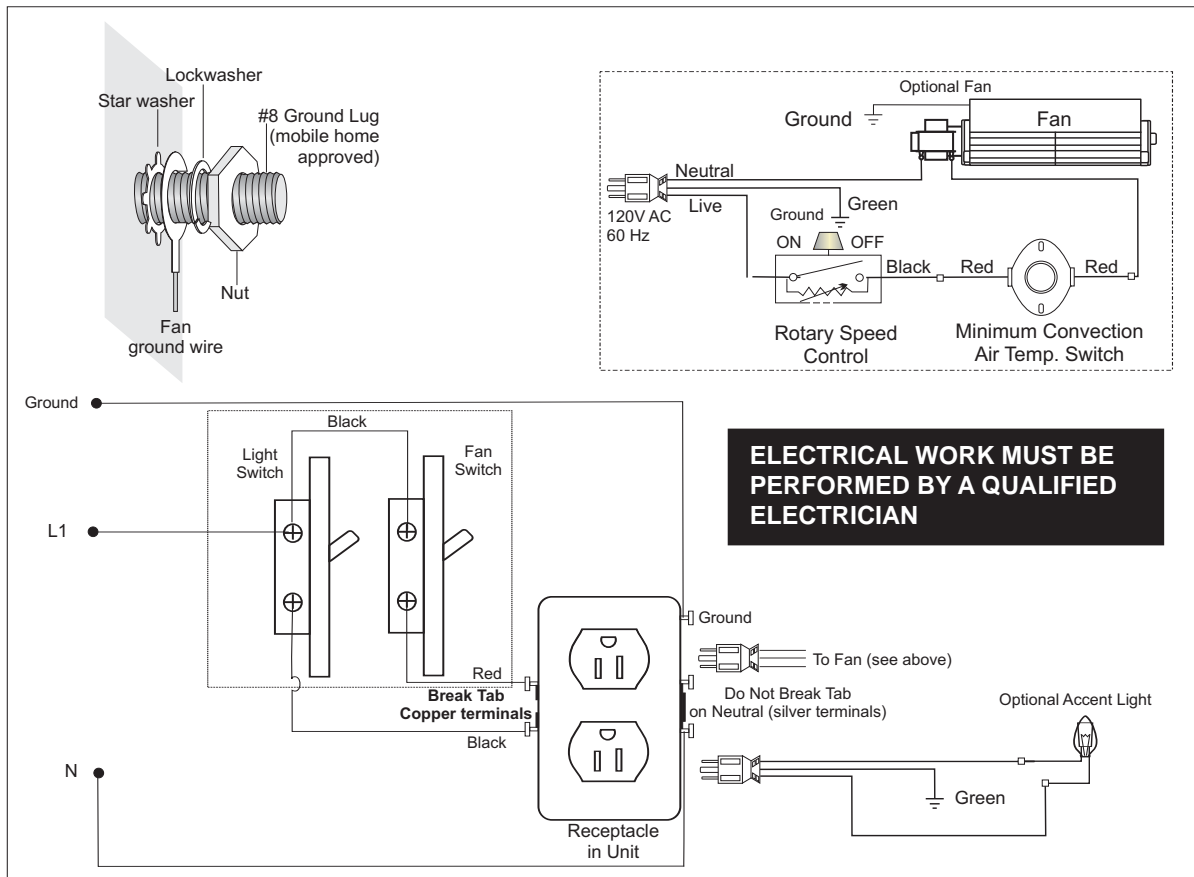
**CAUTION:** Label all wires prior to disconnection when servicing controls. Wiring errors can cause improper and dangerous operation.

This heater does not require a 120V A.C. supply for operation. In case of a power failure, the burner switch and the optional remote control/thermostat will continue to operate. However, a 120V A.C. power supply is needed for the fan/blower operation, Proflame GTMF, and light options.

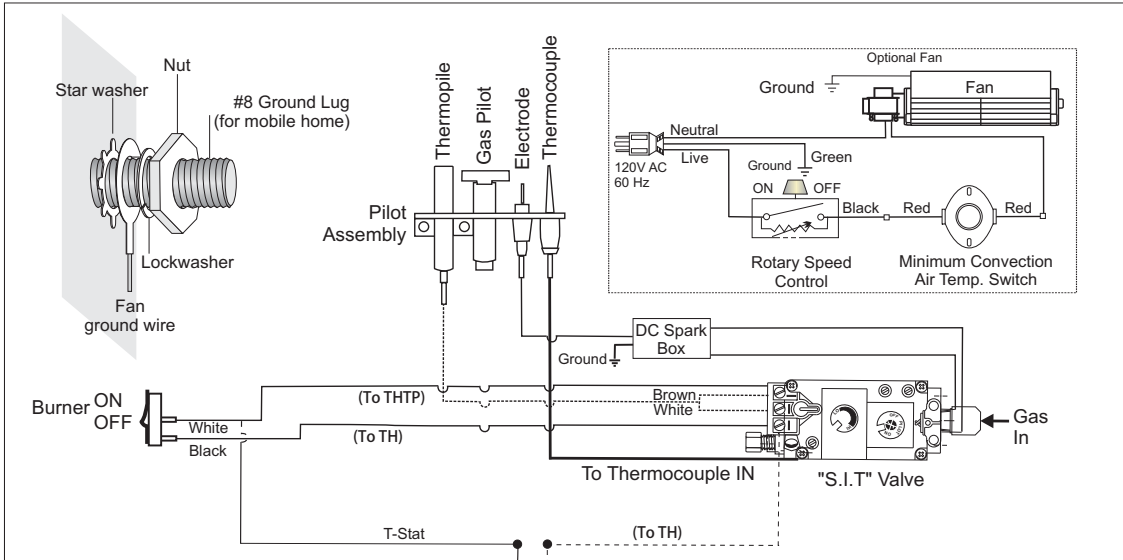
(Do not cut the ground terminal off under any circumstances.)

**NOTE:** Even if the fan, GTMF system or light options are not purchased with the unit, it is still a good idea to bring power to the receptacle box (provided with the unit) in case the optional fan or light is installed at a later date.

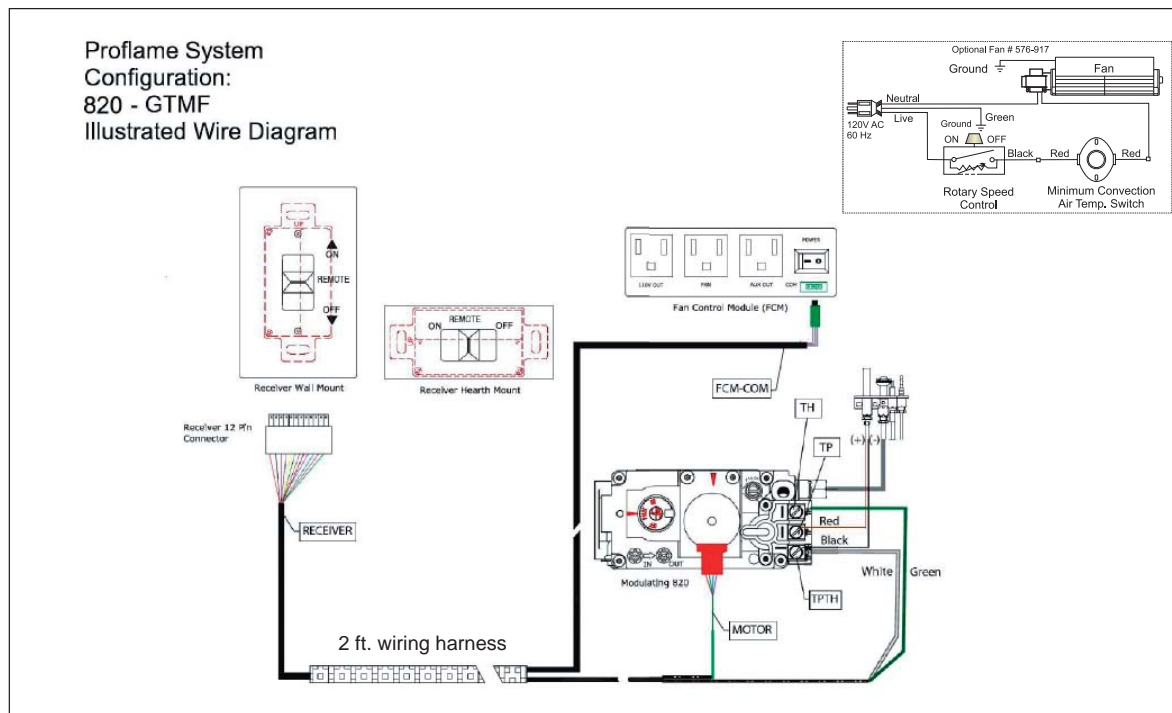
### LINE VOLTAGE WIRING TO RECEPTACLE IN UNIT TO MAKE OUTLETS INDEPENDENT OF EACH OTHER



## WIRING DIAGRAM FOR NG AND LP UNITS



## WIRING DIAGRAM FOR GTMF REMOTE



## 584 Proflame GT Series Feature Sheet

Feature	Icon	Proflame GT	Proflame GTM	Proflame GTMF
Room Temperature Display		X	X	X
Child Lock		X	X	X
Low Battery		X	X	X
On/Off Thermostat		X	X	X
Flame On/Off Only		X		
Flame ON/Off & Modulation (6 Levels) <sup>1</sup>			X <sup>1</sup>	X <sup>1</sup>
Smart Thermostat			X	X
Fan Speed Control (6 Levels)				X
On/Off Auxillary Outlet (110V)				X
Constant (110V) Outlet				X

(X) Indicates Included Feature



Note 1 ~ Proflame Flame Modulator for GTM & GTMF Remote Controls are sold separately. Choice of NG or LP flame modulator (to match unit fuel type). See Regency Retail Price pages for complete details

Note: Regency Proflame systems include a white and black wall cover & switch.

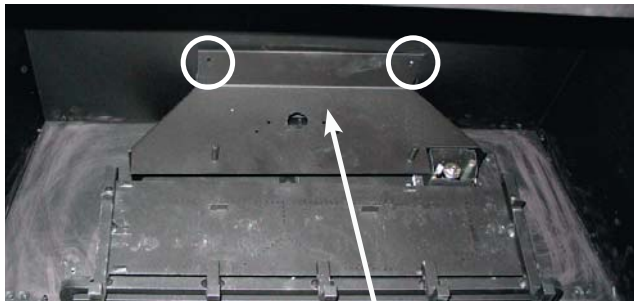
## OPTIONAL ACCENT LIGHT INSTALLATION

B36XT/B36XTE Accent Light Kit # 576-959		
1	Light Assembly	-includes cable tie/ gasket.
1	910-997	Halogen Bulb
1	940-363	Amber glass
1	910-199	Adhesive wire clip
1	918-821	Instruction Sheet

**Important:** 120 Volt AC power is required to operate the light. The receptacle box will be installed on the left hand side of the unit and will need to be wired by a qualified electrician prior to the light installation. The neutral (wider) slot of the polarized receptacle should be at the top. A wall mounted switch should also be installed to turn the accent light on and off.

**Note:** Receptacle Box is switch operated. Refer to wiring diagram in the manual.

- 1) Shut off electrical supply.
- 2) Remove the louvers / full screen doors - if installed.
- 3) Remove the glass door.
- 4) Remove the logs - if installed.
- 5) Remove the rear log tray by removing 2 screws (locations shown below) then lifting out.



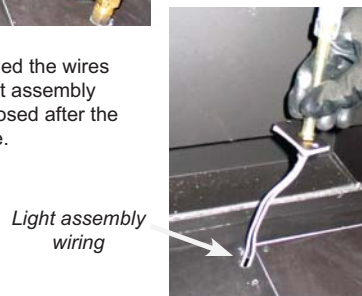
Rear Log Tray

- 6) Remove the 2 screws securing the cover plate to the firebox base. Discard cover plate - keep the 2 screws.



Cover plate

- 7) From inside the firebox - feed the wires from the bottom of the light assembly - through the opening exposed after the removal of the cover plate.



Light assembly wiring

- 8) When light assembly has been fully seated - secure in place with 2 screws that were removed from the cover plate



- 9) From underneath the firebox - slide back the protective sheath on the plug wiring to reveal connectors.

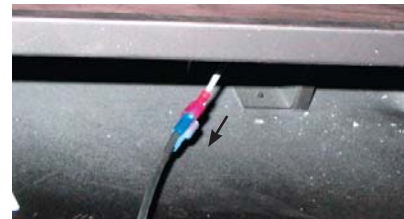


Connectors

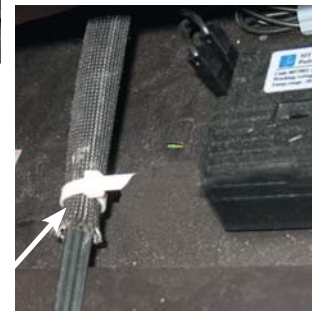
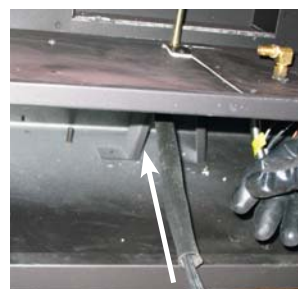
Protective Sheath

- 10) Plug the red light assembly wiring into the blue plug wiring - as shown below.

**NOTE:** The ground wire will need to be pulled back out of the protective casing to be able to reach the ground lug. Gently pull the end of the green wire backwards exposing enough wire to reach ground lug.



- 11) Slide protective sheath back over connectors until it meets the underside of the firebox base - to protect wires. Secure end of sheath with a cable tie.

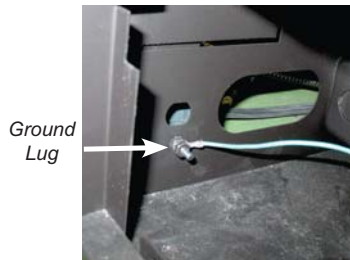


Cable Tie

# INSTALLATION

- 12) After the wiring has been connected, secure green ground wire to ground lug as shown below.

Ground lug is located on the lower left corner inside the bottom of the unit.



- 13) Using the adhesive wire holder, neatly secure the loose wiring to the base of the unit.

**Ensure** wiring does not come into contact with the fan blades or any sharp metal edges.



- 14) Reinstall the rear log tray - secure with 2 screws.

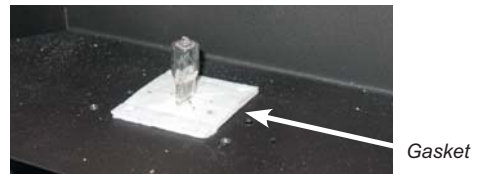


- 15) Install the halogen bulb supplied with the kit.

**Important:** Use **caution** - do not touch the bulb during installation. Use the plastic packaging as a protective covering while installing the bulb.



- 16) Install a gasket over top of the bulb.



- 17) Install the light diffuser by securing it to the rear log tray with 2 screws - see below.



Installed diffuser shown below with 2 options:

- a) With amber glass plate - **for use with units without panels or with brick panels**. Left and right side tabs to be bent down 90 degrees as shown below (Image A).
- b) Amber glass plate covered - **for use with units using stainless steel / black enamel panels** as show below in Image B.



- 18) Reinstall the logs.
- 19) Reinstall glass door and bottom louver / full screen doors.
- 20) Plug the light assembly into the receptacle located on the bottom left side of the unit.



Ground Wire Receptacle

- 21) Turn on electrical supply - test lights.

## BULB REPLACEMENT

- 1) Follow steps 1- 4 from previous page.
- 2) Remove 2 screws to remove light diffuser plus gasket.

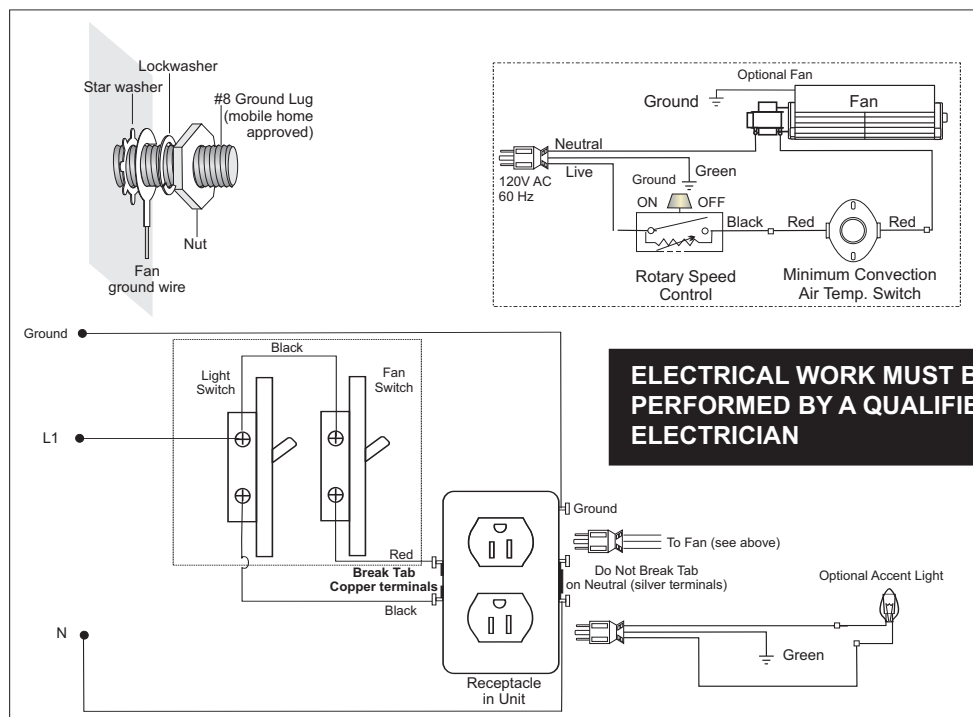


- 3) Replace the bulb - do not touch bulb with bare hands, use gloves or bulb packaging to protect bulb.



- 4) Reinstall the gasket and light diffuser.
- 5) Reverse steps 4-1.

## LINE VOLTAGE WIRING TO RECEPTACLE IN UNIT TO MAKE OUTLETS INDEPENDENT OF EACH OTHER



# INSTALLATION

## FLUSH GLASS DOOR INSTALLATION

- 1) Line up slots on flush glass door with tabs in firebox. Hook slots on to tabs and lower door slowly (See Diagram 1).

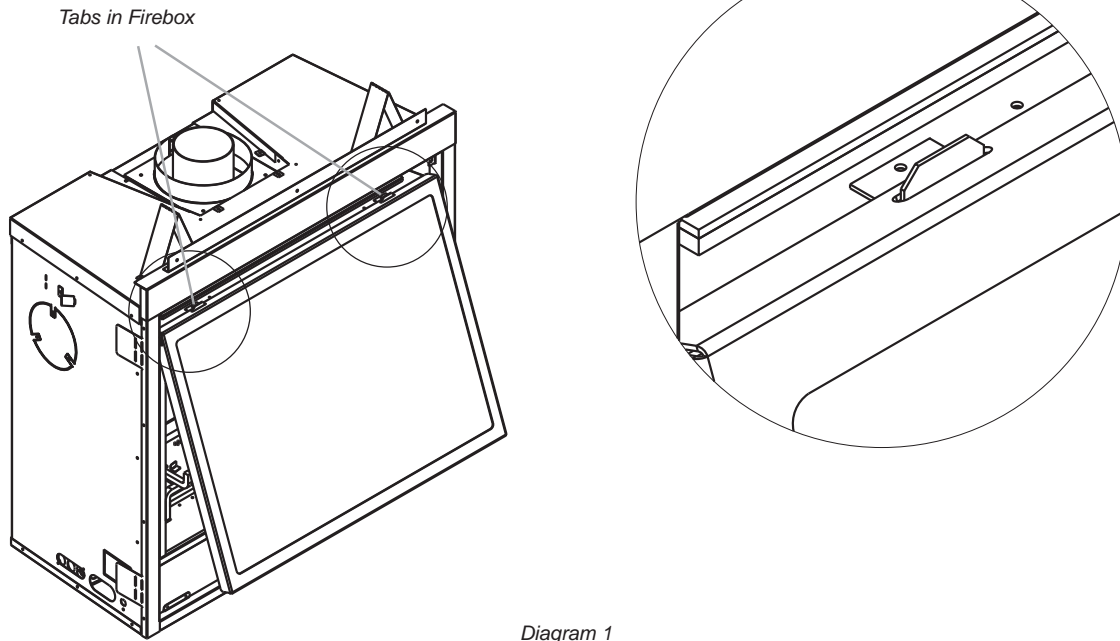


Diagram 1

- 2) Lower the flush door, then hook the 2 adjustable tension latches - close the latches to secure the flush door(See Diagram 2).

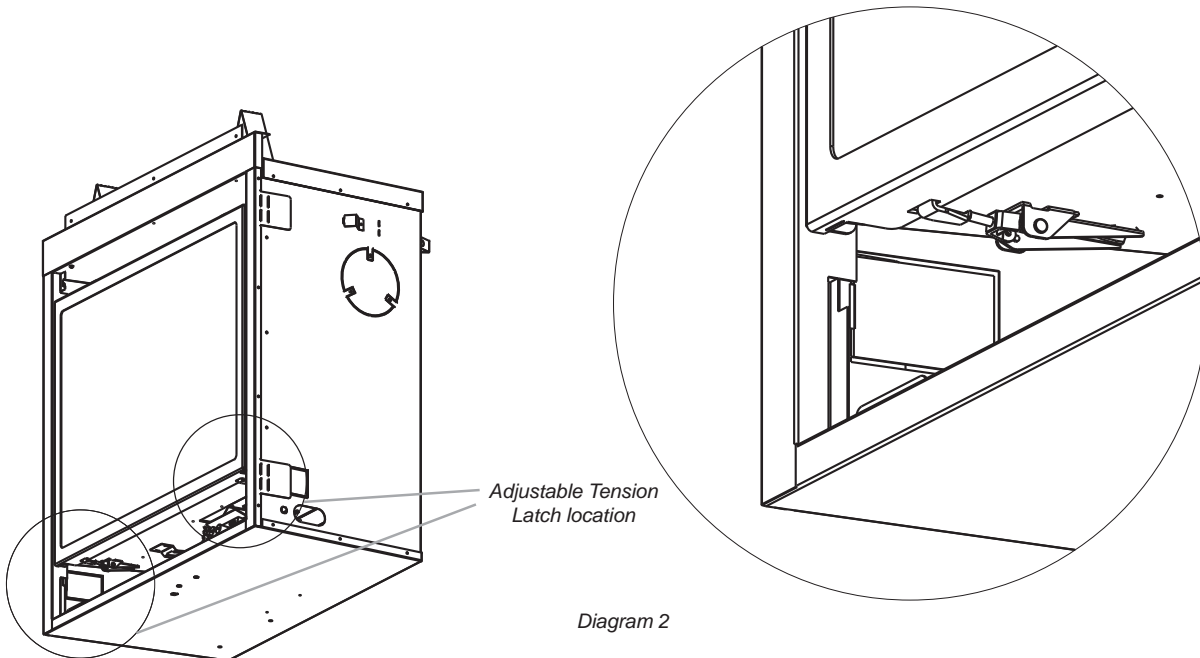


Diagram 2

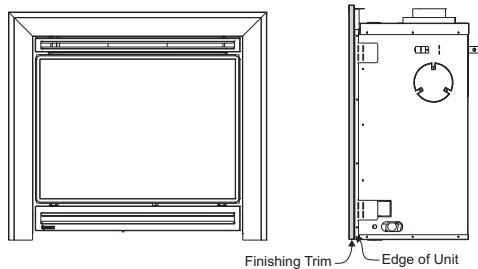
**Note:** To remove Flush Glass door reverse Steps 1 and 2.



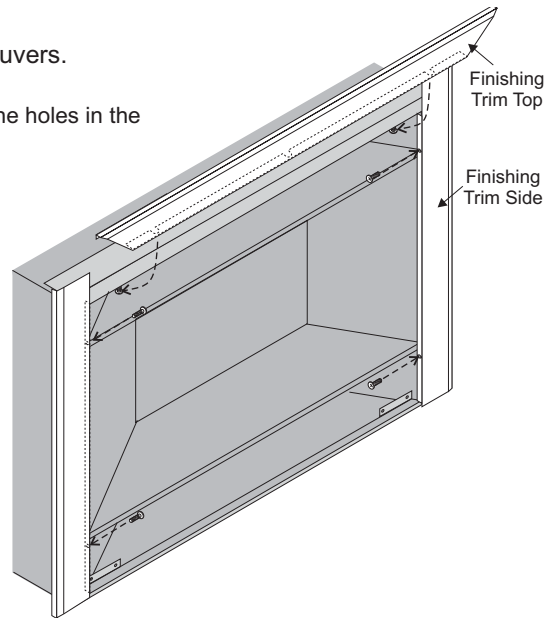
## OPTIONAL FINISHING TRIM INSTALLATION

**NOTE:** Install the Finishing Trim prior to installing the Flush Louvers.

- 1) Install the Finishing Trim sides as shown in the diagram; line up the holes in the side trim with the holes in the firebox side.
- 2) Secure with 2 screws per side.
- 3) Loosen the 2 screws in the top inside edge of the firebox.
- 4) Slide the Finishing Trim Top over the Side Trim pieces and fit the bottom bracket slots over the screws. Tighten the 2 screws to secure in place.



	B41XT	B36XT
W	43-3/8"	40-1/2"
H	37-5/8"	35-3/4"



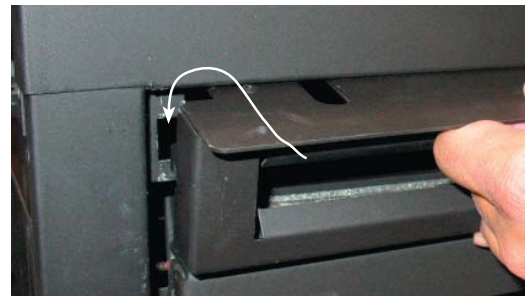
## FLUSH LOUVERS AND FLUSH PANEL INSTALLATION

To install the top and bottom louvers or flush panels:

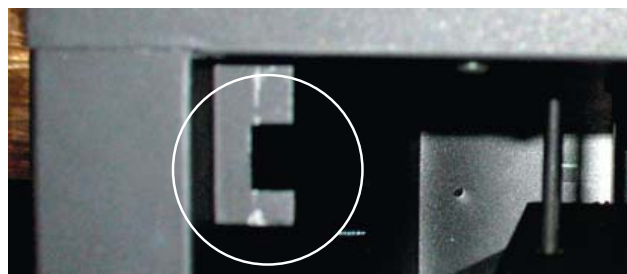
- 1) Locate the tabs on louvers/flush panels.
- 2) Line up the tabs on louvers/flush panels with the brackets on the unit.
- 3) Hook the tabs up over the brackets to attach.



*Tabs on Louver/Flush Panel*



*Installation of upper Louver/Flush Panel*



*Bracket on unit for upper Louver/Flush Panel*



*Bracket on unit for lower Louver/Flush Panel*



*Installation of lower Louver/Flush Panel*

# INSTALLATION

## FULL SCREEN ARCH DOOR AND FRAME INSTALLATION

1) Remove glass door (refer to glass door removal in the manual).

2) Install 4 Phillips screws (supplied with packaging) to the inside walls of the unit (see Diagram 1 for locations).

**Do not tighten the screws - leave them loose for the next step.**



Diagram 1

3) Lift screen doors off of door frame to reduce the weight during installation.

4) Mount the door frame onto 4 loosened screws and retighten.

**Note:** The door frame is adjustable **up** by 3/4" to accommodate for finished flooring.

The door frame can also be adjusted **out** 3/4" from the unit to accommodate finishing materials.

See Diagram 2

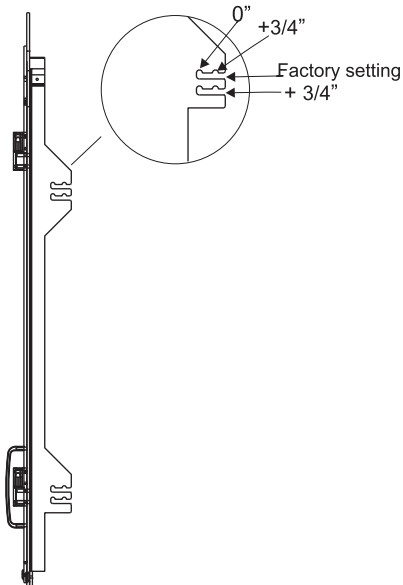


Diagram 2

5) Reinstall glass door.

6) Install bottom mesh door .

a) Locate tabs on bottom mesh door.

b) Locate bracket on lower floor of unit.

c) Hook the tab on the bottom mesh door over the bracket to install



Diagram 3a  
Tabs on bottom mesh door.

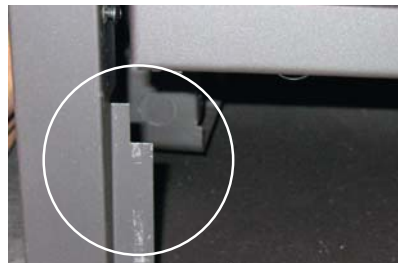


Diagram 3b  
Bracket on unit for bottom mesh door.



Diagram 4

7) Install top louver.

a) Locate tabs on top louver

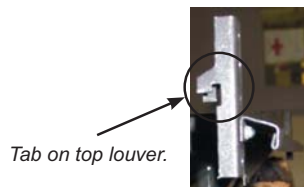


Diagram 5a

b) Line up the tabs on top louver with the brackets on the unit.

c) Hook the tab on the top louver over the bracket to install.

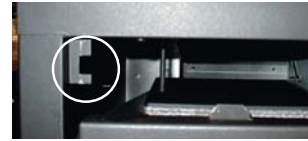


Diagram 5b

Bracket on unit for top louver



Diagram 5c



Diagram 6

8) Rehang screen doors on frame - See Diagram 7.

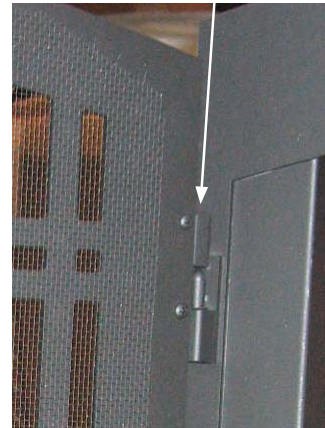


Diagram 7



Final Screen Install

## OPERATING INSTRUCTIONS

- 1) Read and understand these instructions before operating this appliance.
- 2) Check to see that all wiring is correct and enclosed to prevent possible shock.
- 3) Check to ensure there are no gas leaks.
- 4) Make sure the glass in the glass door frame is properly positioned. Never operate the appliance with the glass removed.
- 5) Verify that the venting and cap are unobstructed.
- 6) The unit should never be turned off, and on again without a minimum of a 60 second wait.

## FIRST FIRE

The **FIRST FIRE** in your heater is part of the paint curing process. To ensure the paint is properly cured, it is recommended you burn your fireplace for at least four (4) hours the first time.

When first operated, the unit will release an odour caused by the curing of the paint and the burning off of any oils remaining from manufacturing. Smoke detectors in the house may go off at this time. Open a few windows to ventilate the room for a couple of hours. The glass may require cleaning.

**NOTE:** When the glass is cold and the appliance is lit, it may cause condensation and fog the glass. This condensation is normal and will disappear in a few minutes as the glass heats up.

**DO NOT ATTEMPT TO CLEAN THE GLASS WHILE IT IS STILL HOT!**

**DO NOT BURN THE UNIT WITHOUT THE GLASS DOOR IN PLACE.**

During the first few fires, a white film may develop on the glass front as part of the curing process. The glass should be cleaned after the unit has cooled down or the film will bake on and become very difficult to remove. Use a non-abrasive cleaner and DO NOT ATTEMPT TO CLEAN THE GLASS WHILE IT IS HOT.

## LIGHTING PROCEDURE

### IMPORTANT

**To ignite or reignite the pilot, you must first remove the glass door.**

**NOTE:** The Gas ON/OFF knob cannot be turned from "ON", "PILOT" or "OFF" unless it is partially depressed.

- 1) Ensure the wall mounted switch or remote is in the "OFF" position.
- 2) Turn the gas control knob so the indicator points to the "OFF" position and wait 5 minutes for any gas in the combustion chamber to escape.
- 3) Turn the gas control knob counterclockwise so the indicator points to the "PILOT" position. Depress the gas control knob fully until the pilot lights. After approximately one minute, release the gas control knob. The pilot flame should continue to burn.

Only when the pilot holds, without pressure being applied to the gas control knob, re-install the glass door to the unit. The unit **must not** be operated without the glass door in place.

If the pilot does not remain lit, repeat operation allowing a longer period before releasing gas control knob.

- 4) When the pilot stays lit, turn the gas control knob to the "ON" position.
- 5) Use the wall switch or remote control to turn the unit ON.

**NOTE:** When using the remote control refer to the remote manual.

**NOTE:** If there is no spark present at the pilot when depressed, the AA battery may be weak. Refer to "DC Spark Battery Replacement" section.

## NORMAL OPERATING SOUNDS OF GAS APPLIANCES

It is possible that you will hear some sounds from your gas appliance. This is perfectly normal due to the fact that there are various gauges and types of steel used within your appliance. Listed below are some examples. All are **normal operating sounds** and should not be considered as defects in your appliance.

### Burner Tray:

The burner tray is positioned directly under the burner and is made of a different gauge material from the rest of the firebox and body. Therefore, the varying thicknesses of steel will expand and contract at slightly different rates which can cause "ticking" and "cracking" sounds. You should also be aware that as there are temperature changes within the unit these sounds will likely re-occur. Again, this is normal for steel fireboxes.

### Pilot Flame:

While the pilot flame is on it can make a very slight "whisper" sound.

### Gas Control Valve:

As the gas control valve turns ON and OFF, a dull clicking sound may be audible, this is normal operation of a gas regulator or valve.

### Unit Body/Firebox:

Different types and thicknesses of steel will expand and contract at different rates resulting in some "cracking" and "ticking" sounds will be heard throughout the cycling process.

### Blower Thermodisc:

When this thermally activated switch turns ON it will create a small "clicking" sound. This is the switch contacts closing and is normal.

## SHUTDOWN PROCEDURE

- 1) Turn the wall mounted switch or remote to the "OFF" position.
- 2) Press "OFF" on the remote control.
- 3) Turn the gas control knob to the "OFF" position to turn off the pilot.

## COPY OF LIGHTING PLATE INSTRUCTIONS

O **FOR YOUR SAFETY READ BEFORE LIGHTING**

This appliance must be installed in accordance with local codes, if any; if none, follow the National Fuel Gas Code, ANSI Z223.1/NFPA 54, or Natural Gas and Propane Installation Codes, CSA B149.1. (Australia: AS5601-2004, New Zealand: NZS 5261)

**WARNING: If you do not follow these instructions exactly, a fire or explosion may result causing property damage, personal injury or loss of life. Improper installation, adjustment, alteration, service or maintenance can cause injury or property damage. Refer to the owner's information manual provided with this appliance. For assistance or additional information consult a qualified installer, service agency or gas supplier.**

- A) This appliance has a pilot which must be lighted by hand. When lighting the pilot, follow these instructions exactly.
- B) BEFORE LIGHTING smell all around the appliance area for gas. Be sure to smell next to the floor because some gas is heavier than air and will settle on the floor.  
 WHAT TO DO IF YOU SMELL GAS
  - Do not try to light any appliance.
  - Do not touch any electric switch, do not use any phone in your building.
  - Immediately call your gas supplier from a neighbours phone. Follow the gas supplier's instructions.
  - If you cannot reach your gas supplier, call the fire department.
- C) Use only your hand to push in or turn the gas control knob. Never use tools. If the knob will not push in or turn by hand, don't try to repair it, call a qualified service technician. Forced or attempted repair may result in a fire or explosion.
- D) Do not use this appliance if any part has been under water. Immediately call a qualified service technician to inspect the appliance and to replace any part of the control system and any gas control which has been under water.
- E) This appliance needs fresh air for safe operation and must be installed so there are provisions for adequate combustion and ventilation air.

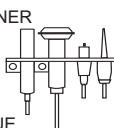
**CAUTION: Hot while in operation. Do not touch. Severe Burns may result. Due to high surface temperatures keep children, clothing and furniture, gasoline and other liquids having flammable vapors away. Keep burner and control compartment clean. See installation and operating instructions accompanying appliance.**

**LIGHTING INSTRUCTIONS**

**STOP! Read the safety information above on this label.**

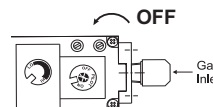
- 1) Push in gas control knob slightly and turn clockwise to "OFF". Knob cannot be turned from "PILOT" to "OFF" unless knob is pushed in slightly. Do not force.

PILOT BURNER  
VEILLEUSE



THERMOPILE  
ELEMENT  
THERMO-  
ELECTRIQUE

**OFF**



Gas Inlet

- 2) Wait five (5) minutes to clear out any gas. If you then smell gas STOP! Follow step "B" in the Safety Information above on this label. If you don't smell gas, go to the next step.
- 3) Turn knob on gas control counterclockwise to "PILOT".
- 4) Push in control knob all the way and hold in until the pilot lights up. Continue to hold the control knob in for about 20 seconds after the pilot is lit. Release knob and it will pop back up. Pilot should remain lit. If it goes out, repeat steps 1) to 4). If knob does not pop up when released, stop and immediately call your service technician or gas supplier. If the pilot will not stay lit after several tries, turn the gas control knob to "OFF" and call your service technician or gas supplier.
- 5) Turn gas control knob counterclock-wise to "ON".
- 6) Turn the unit on.

**TO TURN OFF GAS APPLIANCE**

- 1) Turn off the unit.
- 2) Push in the gas control knob slightly and turn clockwise to "OFF". Do not force.
- 3) Turn off all electric power to the appliance if service is to be performed.  
 You may shut off the pilot during prolonged non use periods to conserve fuel.

**DO NOT REMOVE THIS INSTRUCTION PLATE**
918-583

## MAINTENANCE INSTRUCTIONS

- 1) Always turn off the gas valve before cleaning. For relighting, refer to lighting instructions. Keep the burner and control compartment clean by brushing and vacuuming at least once a year. When cleaning the logs, use a soft clean paint brush as the logs are fragile and easily damaged.
- 2) Clean appliance and door with a damp cloth (never when unit is hot). Never use an abrasive cleaner. The glass should be cleaned with a gas fireplace glass cleaner. **The glass should be cleaned when it starts looking cloudy.**
- 3) The heater is finished in a heat resistant paint and should only be refinished with heat resistant paint. Regency® uses StoveBright Paint - Metallic Black #6309.
- 4) Make a periodic check of burner for proper position and condition. Visually check the flame of the burner periodically, making sure the flames are steady; not lifting or floating. If there is a problem, call a qualified service person.
- 5) The appliance and venting system must be inspected before use, and at least annually, by a qualified field service person, to ensure that the flow of combustion and ventilation air is not obstructed.

**Note: Never operate the appliance without the glass properly secured in place.**

- 6) Do not use this appliance if any part has been under water. Immediately call a qualified service technician to inspect the appliance and to replace any part of the control system and any gas control which has been under water.
- 7) In the event this appliance has been serviced check that the vent-air system has been properly resealed & reinstalled in accordance with the manufacturer's instructions.
- 8) Verify operation after servicing.

### General Vent Maintenance

Conduct an inspection of the venting system semi-annually. Recommended areas to inspect as follows:

- 1) Check the Venting System for corrosion in areas that are exposed to the elements. These will appear as rust spots or streaks, and in extreme cases, holes. These components should be replaced immediately.
- 2) Remove the Cap, and shine a flashlight down the Vent. Remove any bird nests, or other foreign material.
- 3) Check for evidences of excessive condensation, such as water droplets forming in the inner

liner, and subsequently dripping out the joints. Continuous condensation can cause corrosion of caps, pipe, and fittings. It may be caused by having excessive lateral runs, too many elbows, and exterior portions of the system being exposed to cold weather.

- 4) Inspect joints, to verify that no pipe sections or fittings have been disturbed, and consequently loosened. Also check mechanical supports such as Wall Straps, or plumbers' tape for rigidity.

## LOG REPLACEMENT

The unit should never be used with broken logs. Turn off the gas valve and allow the unit to cool before opening door and carefully remove the logs. (The pilot light generates enough heat to burn someone.) If for any reason a log should need replacement, you must use the proper replacement log. The position of these logs must be as shown in the diagrams under Log Installation.

**Note: Improper positioning of logs may create carbon build-up and will severely alter the unit's performance which is not covered under warranty.**

## THERMOPILE / THERMOCOUPLE

- 1) Open the Bottom Louvers or Grills. Remove the Top Louver or Grill.
- 2) Remove the Trim Kit, Glass Door, Log Set, Grate and Burner Assembly (see the "Log Installation" & "Glass Door Removal" sections).
- 3) Disconnect thermocouple by loosening nut from the valve with a 9mm wrench. Disconnect thermopile by loosening 2 screws marked TP on the valve.
- 4) Remove 2 screws from the pilot assembly and pull up far enough to be able to loosen the thermocouple or thermopile with a 7/16" wrench. NOTE: the pilot line is very fragile, use caution when pulling it up.
- 5) Drop the thermocouple or thermopile down through the extrusion and pull it out of the unit.
- 6) Reinstall the new ones in reverse order.

## GLASS GASKET

If the glass gasket requires replacement use a tadpole glass gasket (Part # 936-155).

## DOOR GLASS

Your Regency® fireplace is supplied with high temperature 5mm-Ceramic glass. If your glass requires cleaning, we recommend using an approved glass cleaner available at all authorized dealers. Do not use abrasive materials.

### CAUTION & WARNINGS:

- \* Do not clean when the glass is hot.
- \* The use of substitute glass will void all product warranties.
- \* Care must be taken to avoid breakage of the glass.
- \* Do not strike or abuse the glass.
- \* Do not operate this fireplace without the glass front or with a cracked or broken glass front.
- \* Wear gloves when removing damaged or broken glass.
- \* Replacement of the glass panels should be done by a licensed or qualified service person.

### GLASS REPLACEMENT

In the event that you break your glass by impact, purchase your replacement from an authorized Regency dealer only. Replacement glass (Part #940-357/P) is shipped already installed into the door frame. Reinstall as per Glass Door Installation in the "Glass Door Removal" section.

## BULB REPLACEMENT

- 1) Follow steps 1- 4 on page 53.
- 2) Remove 2 screws to remove light diffuser plus gasket.



- 3) Replace the bulb - do not touch bulb with bare hands, use gloves or bulb packaging to protect bulb.



- 4) Reverse steps.

# MAINTENANCE

## REMOVING VALVE

- 1) Shut off the gas and electrical supply.
- 2) Remove the louvers
- 3) Open the flush door and remove the door.
- 4) Remove the logs.
- 5) Remove the burner/grate assembly by removing the 2 Phillips head screws.

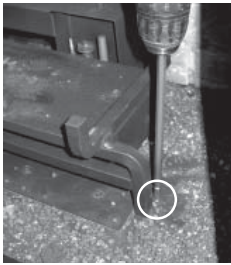
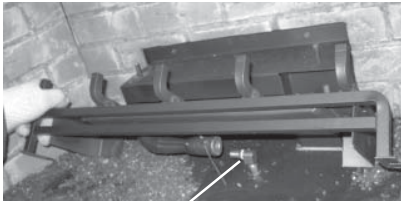


Diagram 1: Remove the left and right screws.

- 6) Slide the burner assembly to the left to release it from the orifice, then lift it out.



Orifice

Diagram 2: Slide burner assembly to the left and then remove.

- 7) Remove the 2 screws securing the rear log tray and lift out. Diagram 3

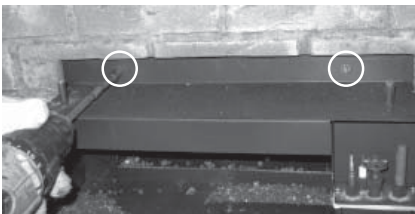


Diagram 3

- 8) Disconnect the inlet gas line. (see Diagram 4)

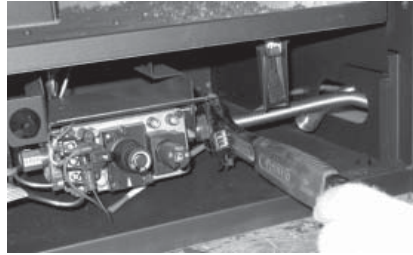


Diagram 4

- 9) Disconnect the wall switch wires from the valve. (see Diagram 5)

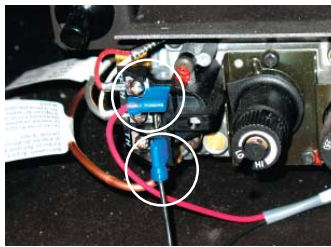


Diagram 5

- 10) Remove the 8 Phillips head screws securing the valve tray assembly in place (Diagram 6) and then lift the entire assembly out (Diagram 7).

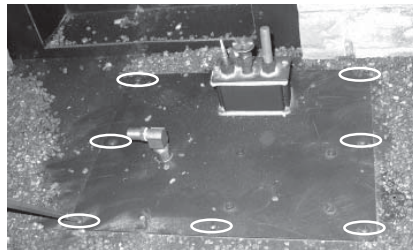


Diagram 6

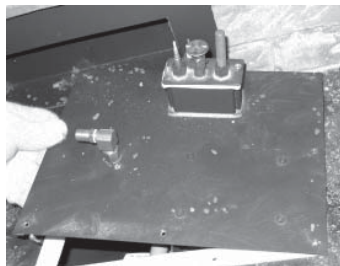


Diagram 7

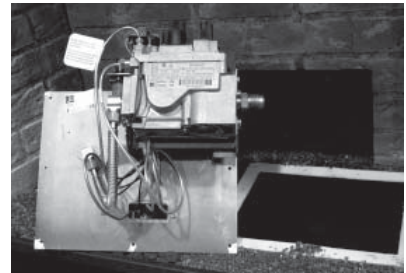


Diagram 8

## INSTALLING VALVE

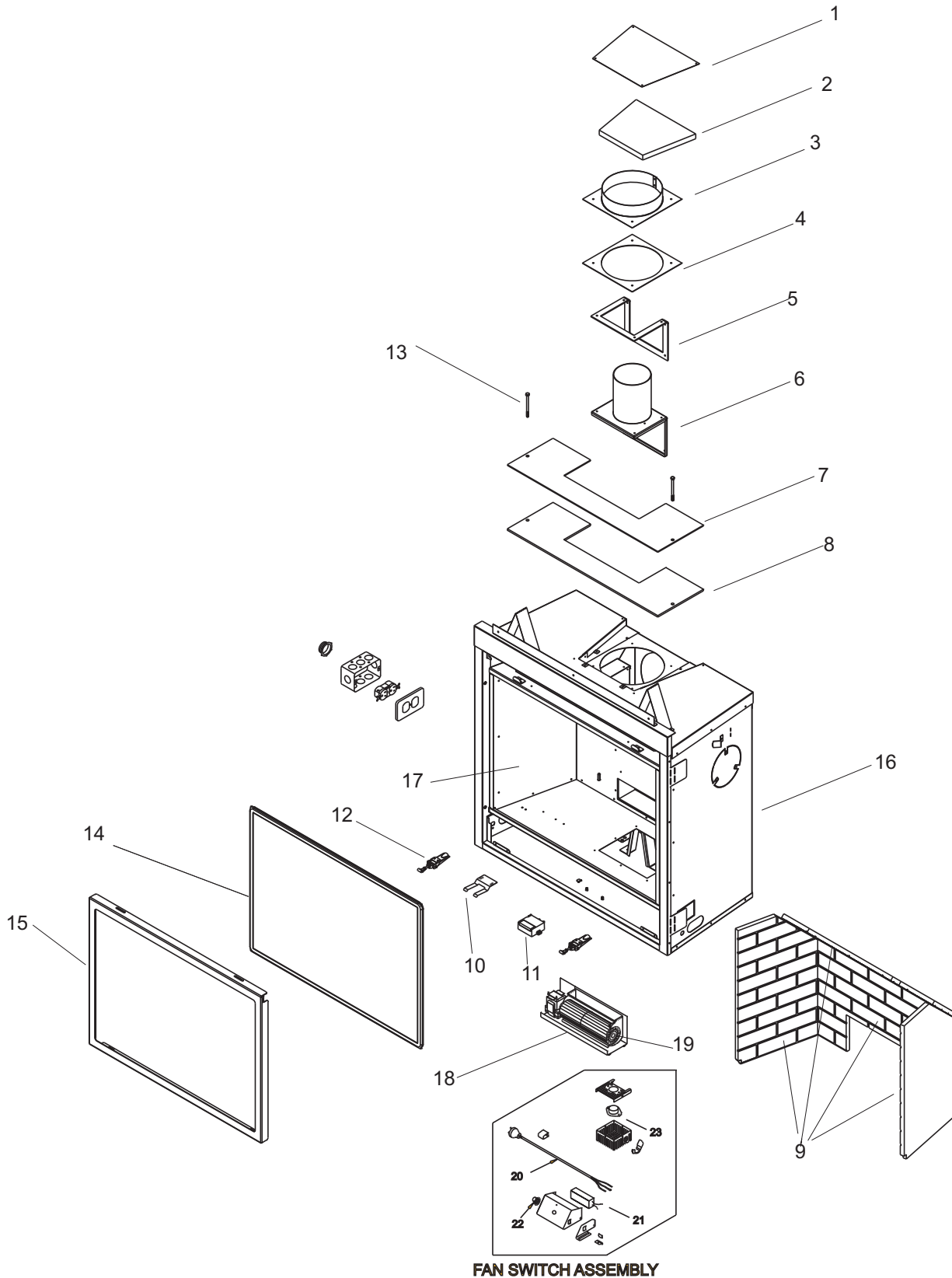
- 1) Place new valve tray into position
- 2) Reinstall the 8 hold down screws.
- 3) Hook up the 2 TP and 2 TH wires to the appropriate connections on the valve.
- 4) Reinstall the rear log tray.
- 5) Install burner/grate assembly
- 6) Hook up the gas line and check for gas leaks with a soap and water solution or a gas leak detector. (Do not use open flame for leak testing.)
- 7) Fire up the unit temporarily
- 8) Check the manifold pressure.
- 9) Reinstall the logs and brick panels as needed.
- 10) Reinstall the door and replace the louvers.
- 11) Fire up the unit again and check for proper flame appearance and glow on logs.

## MAIN ASSEMBLY

Part #	Description	Part #	Description
1) 576-084F	Top Insulation Plate	18) 576-917	Fan Assembly
2) 576-099	Top Insulation	19) 910-331/P	Fan Motor (120 Volts)
3) 556-524	Flue Collar Outer Assembly	432-966	Fan Switch Assy (120 Volts)
4) 556-095	Flue Collar Gasket	20) 910-813	Power Cord (120 Volts)
5) 556-097	Exhaust Gasket	21) 910-330	Fan Speed Control
6) 556-513	Flue Collar Inner Assembly	22) 904-586	Knob - Speed Control
7) 556-088F	Top Relief Plate	23) 910-142	Thermodisc - Fan Auto ON/OFF
8) 556-094	Relief Gasket - Door Top		
9) 576-901	Brick Panel - Standard Brown	24) 946-000	Round Duct Adaptor
576-902	Brick Panel - Standard Red	25) 910-367	Box - Plastic Switch Receptacle
576-904	Brick Panel - Castle Stone	26) 910-412	Fan Speed Controller
576-907	Stainless Steel Panels	27) 910-417	Knob - White
576-908	Black Enamel Panels	28) 910-366	Switch Cover Plate - White
		29) 946-006	Grill Plate - White
10) 820-389	Thermodisc Bracket	30) 946-005	Wall Adaptor Plate - White
11) 910-073	Spark Generator Battery Holder	31) 946-002	Round to Oval Adaptor
12) 948-165	Adjustable Tension Latch	32) 946-001	Oval Duct Adaptor
13) 904-731	Capscrew 1/4 - 20 x 3.5 NC Gr5	33) 946-007	Angle Bracket
		34) 946-517/P	Fan Assembly - Heat Wave
14) 940-357/P	Ceramic Glass	35) 946-004	Junction Box
15) 556-012	Door Frame		
16) *	Outerbox Assembly		
17) *	Firebox Assembly	36) 918-769	Manual

\* Not available as a replacement part.

**MAIN ASSEMBLY**

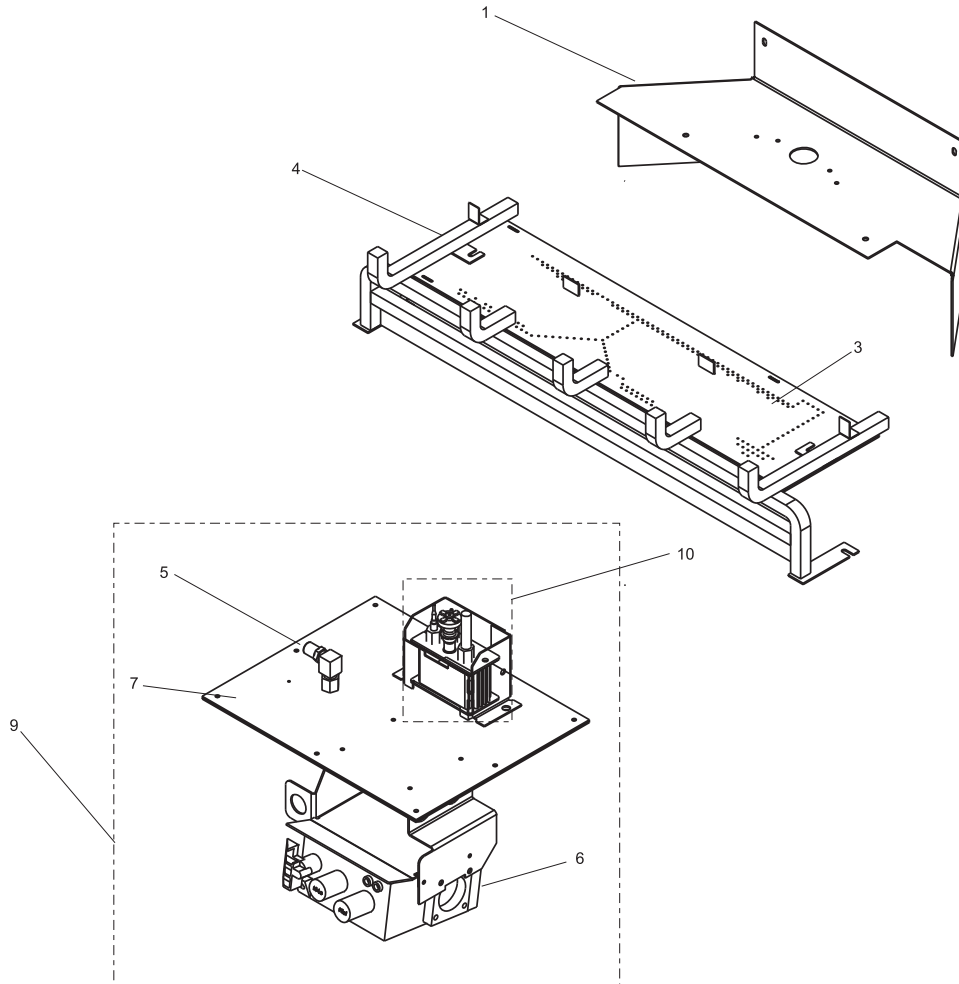


**FAN SWITCH ASSEMBLY**



**BURNER ASSEMBLY**

Part #	Description	Part #	Description
1) 576-077	Rear Log Tray	9) 576-574/P	Valve Assembly - NG
3) 576-525	B36XT Burner Assembly	576-576/P	Valve Assembly - LP
4) 576-057	B36XT Grate Assembly	10) 910-038	Pilot Assembly - NG
5) 904-644	Orifice # 35 NG	910-039	Pilot Assembly - LP
904-645	Orifice # 51 LP	910-386	Thermocouple
6) 910-568	Valve NG/LP SIT High/Low 820	910-341	Thermopile
7) *	Valve Tray - B36XT		







**Regency® Fireplace Products are designed with reliability and simplicity in mind. In addition, our internal Quality Assurance Team carefully inspects each unit thoroughly before it leaves our facility. FPI Fireplace Products International Ltd. is pleased to extend this limited lifetime warranty to the original purchaser of a Regency® Product. This warranty is not transferable.**

**The Warranty: Limited Lifetime**

The combustion chamber, heat exchanger, burner tubes/pans, logs, brick panels and gold plating (against defective manufacture only) are covered under the Limited Lifetime Warranty for five (5) years for parts and subsidized labour\* and parts only thereafter.

Glass is covered for lifetime against thermal breakage only, parts and subsidized labour\* for five (5) years and parts only thereafter from date of purchase.

External casting, surrounds and grills are covered against cracks and warps resulting from manufacturer defects, parts and subsidized labour\* for three (3) years from the date of purchase and parts only thereafter.

Special Finishes - One year on brushed nickel and antique copper full screens and doors. You can expect some changes in color as the product "ages" with constant heating and cooling. FPI warrants the product for any manufacturing defects on the original product. However, the manufacturers warranty does not cover changing colors and marks, ie. finger prints, etc applied after the purchase of the product. Damage from the use of abrasive cleaners is not covered by warranty.

Electrical and mechanical components such as blowers, switches, wiring, thermodiscs, FPI remote controls, spill switches, thermopiles, thermocouples, pilot assembly components, and gas valves are covered for two years parts and one year subsidized labour\* from the date of purchase. Blowers and valves replaced under warranty are considered repairs and continue as if new with appliance. ie. twelve (12) months from original purchase date of appliance with a minimum of three (3) months coverage from date of replacement.

FPI venting components are covered parts and subsidized labour\* for three (3) years from date of purchase.

Simpson Dura-Vent venting components (Direct Vent units) are covered by Simpson Dura-Vent Inc. warranty.

Repair/replacement parts purchased by the consumer from FPI after the original coverage has expired on the unit will carry a 90 day warranty, valid with a receipt only. Any item shown to be defective will be repaired or replaced at our discretion. No labor coverage is included with these parts.

**Conditions:**

Any part or parts of this unit which in our judgement show evidence of such defects will be repaired or replaced at FPI's option, through an accredited distributor or agent provided that the defective part be returned to the distributor or agent Transportation Prepaid, if requested.

Porcelain/Enamel - Absolute perfection is either guaranteed nor commercially possible. Any chips must be reported and inspected by an authorized dealer within three days of installation. Reported damage after this time will be subject to rejection.

It is the general practice of FPI to charge for larger, higher priced replacement parts and issue credit once the replaced component has been returned to FPI and evaluated for manufacturer defect.

The authorized selling dealer is responsible for all in-field service work carried out on your Regency® product. FPI will not be liable for results or costs of workmanship from unauthorized service persons or dealers.

At all times FPI reserves the right to inspect product in the field which is claimed to be defective.

All claims must be submitted to FPI by authorized selling dealers. It is essential that all submitted claims provide all of the necessary information including customer name, purchase date, serial #, type of unit, problem, and part or parts requested, without this information the warranty will be invalid.

**Exclusions:**

This limited Lifetime Warranty does not extend to or include paint, door or glass gasketing or trim.

At no time will FPI be liable for any consequential damages which exceed the purchase price of the unit. FPI has no obligation to enhance or modify any unit once manufactured. ie. as products evolve, field modifications or upgrades will not be performed.

FPI will not be liable for travel costs for service work.

Installation and environmental problems are not the responsibility of the manufacturer and therefore are not covered under the terms of this warranty policy.

Embers, rockwool, gaskets, door handles and paint are not covered under the terms of this warranty policy.

Any unit which shows signs of neglect or misuse is not covered under the terms of this warranty policy.

The warranty will not extend to any part which has been tampered with or altered in any way, or in our judgment has been subject to misuse, improper installation, negligence or accident, spillage or downdrafts caused by environmental or geographical conditions, inadequate ventilation, excessive offsets, negative air pressure caused by mechanical systems such as furnaces, fans, clothes dryer, etc.

Freight damage to stoves and replacement parts is not covered by warranty and is subject to a claim against the freight carrier by the dealer.

FPI will not be liable for acts of God, or acts of terrorism, which cause malfunction of the appliance.

Performance problems due to operator error will not be covered by this warranty policy.

Products made or provided by other manufacturers and used in conjunction with the operation of this appliance without prior authorization from FPI, may nullify your warranty on this product.

Any alteration to the unit which causes sooting or carboning that results in damage to the interior / exterior facia is not the responsibility of FPI.

\* Subsidy according to job scale as predetermined by FPI.

# Register your Regency® warranty online [www.regency-fire.com](http://www.regency-fire.com)

## Reasons to register your product online today!

- View and modify a list of all your registered products.
- Request automatic email notification of new product updates.
- Stay informed about the current promotions, events, and special offers on related products.

*Installer: Please complete the following information*

Dealer Name & Address: \_\_\_\_\_

\_\_\_\_\_  
Installer: \_\_\_\_\_

Phone #: \_\_\_\_\_

Date Installed: \_\_\_\_\_

Serial No.: \_\_\_\_\_