

Jøtul F 602 USA

Jøtul F 602 USA
Manual Version Pog

US - Installation and Operating Instructions for the USA	2
CA - Installation and Operating Instructions for Canada	13
Figures	24



*Kindly save these instructions for future reference.
Ce document doit être conservé pendant toute la vie de l'appareil.*

USA

Table of contents

General information

Possible hazards to avoid when using the Jøtul F 602 USA..... 2

1.0 Installation

Safety notice..... 3
Top Exit or Rear Exit 3
Attaching the Legs 3

2.0 Plan Ahead

Chimney connector (Stove Pipe)..... 4
Wall Pass-Through 4
Chimneys..... 4
Masonry Chimneys 5
Listed Metal Prefabricated Chimneys 5

3.0 Connection to the Chimney

Masonry Chimneys 6
Prefabricated Chimneys..... 6

4.0 Clearances to Combustibles

Floor Protection 6
Alternate Floor Protection..... 6
Clearances to Adjacent Combustible Materials 6
Using a Rear Heat Shield
to Reduce Clearance in Alcove Installations 7
Using Wall Protectors
to Reduce Clearances in Alcove Installations 7
Alcove Installation..... 7

5.0 Operation

Use Solid Wood Fuel Only..... 7
Wood Storage..... 7
Creosote and Soot Formation and the Need for Removal 7
Controls..... 8
Breaking in Your Stove 8
Building a Fire..... 8
Reloading..... 8
Open Door Fire-viewing..... 9
Ash Removal 9

6.0 Maintenance

Glass Cleaning..... 9
Glass Replacement..... 9
General..... 10
Gaskets..... 10

7.0 Jøtul N.A. wood burning product limited warranty 11

Jøtul F 602 Woodstove Clearances 24
Figures and Diagrams 25-30

Accepted For Use
City of New York
Department of Buildings
MEA 313-00-E
Jøtul North America, Inc.



General Information

The Owner's Manual describes the installation and operation of the Jøtul F 602 USA non-catalytic wood heater. This heater meets the U.S. Environmental Protection Agency's emission limits for wood heaters sold after July 1, 1990. Under specific test conditions, this heater has shown heat output at rates ranging from 9,600 to 42,000 BTU's per hour.

When installing, operating, and maintaining your Jøtul F 602 USA, follow the guidelines given in these instructions. Save these instructions, and make them available to anyone using the stove.

A number of areas of the U.S. and Canada require a building permit to install a solid-fuel burning appliance. NFPA 211 (National Fire Protection Association, Standard for Chimneys, Fireplaces, Vents, and Solid Fuel Burning Appliances) or CAN/CSA B-365 (Installation Code for Solid-Fuel Burning Appliances and Equipment) may apply to the installation of solid fuel burning appliances in your area. Your Jøtul dealer has knowledge of your local codes and can provide assistance in making sure your installation is safe and legal. Also contact your insurance representative, building inspector, or fire officials to determine what regulations apply in your area.

The Jøtul F 602 USA has been tested and listed to ANSI-UL 1482, UL 737, and ULC S627 by Intertek Testing Services-Warnock Hersey of Middleton, Wisconsin.

 We suggest that our woodburning hearth products be installed and serviced by professionals who are certified in the U.S. by the National Fireplace Institute® (NFI) as NFI Woodburning Specialists or who are certified in Canada by Wood Energy Technical Training (WETT).

www.nficertified.org

Possible Hazards to Avoid When Using the Jøtul F 602 USA

Any use of fire in a house represents a certain danger. With intense overfiring, temperatures on the surface of the Jøtul F 602 USA can exceed 1 000 °F (536 °C).

Comply with the following guidelines:

- Never overfire the stove. If any part of the stove or chimney glows, you are overfiring, and a house fire or serious damage to the stove or chimney could result. Immediately close down the air control if you notice this condition.
- Teach children that the stove is hot and must not be touched.
- Never use gasoline, gasoline-type lantern fuel,
- Never use kerosene, charcoal lighter fluid or similar liquids to start or “freshen up” a fire in this heater. They can ignite with explosive force, causing bodily injury or death. Keep all such liquids far away from the heater while it is in use.
- Never use the stove if there are combustible gases in the house. The fumes from certain cleaning fluids, adhesives, and paints are a few examples of combustible gases. Remember, the operating woodstove is a source of “open flame”.
- Avoid creating a “low pressure” condition in the room where the stove is operating, such as by operating an exhaust fan or a clothes dryer. A low-pressure condition could cause poisonous gases to be drawn out of the stove into the room. Some fuel will during combustion separate carbon monoxide and generate it in the burnchamber. Carbon monoxide is toxic, so please follow the guidelines in this manual to avoid smoke “roll out” from the burnchamber. You can prevent a low-pressure condition by providing adequate outside combustion air within 24” of the stove.
- Never operate the Jøtul F 602 USA if it has cracked or broken glass. Replace damaged glass only with the proper glass panel available from your Jøtul dealer.
- Never burn trash of any kind in the stove.
- Keep combustible materials far away from the stove.
- Never modify the stove in any way.
- Do not dry clothes over the stove, since they could fall and ignite.
- Use only seasoned wood in your stove. Never use fireplace coal or synthetic logs that have not been approved for the stove.
- Always wear protective gloves when adding fuel to the fire.
- If you for some reason experience smoke “roll out” from the fireplace, it might activate smoke detectors (if installed).
- Do not connect this heater to any air distribution duct.

Note! This stove is not approved for use in mobile homes.

1.0 Installation

Safety Notice

If this solid fuel room heater is not properly installed a house fire may result. For your safety, follow the installation directions. Contact local building or fire officials about restrictions and installation inspection requirements in your area.

Please read this entire manual before you install and use your new stove. Failure to follow instructions may result in property damage, bodily injury, or even death.

We recommend that you have your Jøtul F 602 USA installed by a professional installer of solid fuel room heaters.

1.1 Top Exit or Rear Exit

The Jøtul F 602 USA has two flue outlet positions. If you wish to top-exit the stove, place the cover plate in the rear position and secure it with the screws and nuts, then secure the flue collar to the top with the two remaining screws.

To rear -exit the stove, secure the cover plate in the top position with the two screws, then secure the flue collar to the rear with the two remaining screws and two nuts.

When fastening the plate or flue collar to the rear, it may be necessary to reach in through the top opening and hold the nuts with a wrench.

1.2 Attaching the Legs

The Jøtul F 602 USA has four tapped leg bolt holes in the bottom plate. Fasten each leg to the bottom with a bolt and with a washer between the bolt head and the leg.

USA

2.0 Plan Ahead

A safe stove installation involves several elements, including: **(2.1)** the chimney connector, **(2.2)** the chimney itself, **(3.0)** the connection between the chimney connector and chimney, and **(4.0)** protection of combustible materials in the vicinity of the stove. Each of these elements is equally important for a safe stove installation.

2.1 Chimney Connector (Stove Pipe)

Chimney connector is also sometimes called stove pipe or flue pipe, and it is used to connect the stove to the chimney. The chimney connector should be 6" diameter black steel, with a minimum thickness of 24 gauge.

Do not use aluminium or galvanized steel pipe as a chimney connector. These materials cannot withstand the extreme temperatures of a wood fire and can give off toxic fumes when heated.

Matching enamel pipe is available for your Jøtul F 602 USA. Contact your Authorised Jøtul dealer for more information.

Do not use chimney connector pipe as a chimney.

The factory-supplied adapter must be used for fitting the stove's flue collar to the chimney connector.

Chimney connector sections must be attached to the stove's flue collar adapter and to each other with the crimped end toward the stove (**fig. 2, page 23**).

The space between the flue collar adapter and the chimney connector should be sealed with stove cement or an appropriately size piece of gasket. This allows any small amounts of condensed creosote to run into the stove rather than onto the outside of the pipe or the stove top. All joints, including the adapter to the flue collar, should be secured with three sheet metal screws to ensure that the sections will not separate.

For proper operation the chimney connector should be as short as possible. Horizontal lengths should have an upward slope from the stove of 1/4" per foot. Avoid using more than two 90 degree elbows or total runs of pipe greater than 10'.

No part of the chimney connector may pass through an attic or roof space, closet or other concealed space, or through a floor or ceiling. Whenever possible, avoid passing the chimney connector through a combustible wall.

Wall Pass-Through

When your installation unavoidably requires that the chimney connector pass through a combustible wall to reach the chimney, extreme care must be taken. In the U.S., the National Fire Protection Association's publication NFPA 21 1, Standard for Chimneys, Fireplaces, Vents, and Solid Fuel Burning Appliances, permits four methods for passing through a combustible wall. In Canada, refer to CAN/CGA B356.

Before beginning the installation, contact local building officials to make sure the proposed pass-through method meets local building code requirements.

A commonly used method to pass through a wall directly to a masonry chimney requires removal of all combustible material from at least 12" around the entire chimney connector. The space is then filled with at least 12" of brick around a fireclay liner. Be sure to locate it so that the top of the chimney connector will be at least 18" below the ceiling.

To construct the brick pass-through, you will need an opening of 30" x 30" minimum. It will be necessary to cut wall studs, install headers, and construct a sill frame to maintain proper dimensions and to hold the weight of the brick. Minimum 3-1/2" (4" nominal) thick solid bricks are to be used.

The fireclay liner (ASTM C35 or equivalent), minimum 5/8" wall thickness, must not penetrate into the chimney beyond the inner surface of the chimney flue liner and must be firmly cemented in place. If it is necessary to cut a hole in the chimney liner, use extreme care to keep it from shattering. Refractory mortar must be used at the junction to the chimney liner. (**See figure 3, page 23**)

An approved installation that uses a section of listed solid fuel insulated factory-built chimney as a pass-through for the chimney connector, must have an inside diameter which is 2" larger than the chimney connector- a minimum length of 12" -and at least 1" of insulation thickness. The chimney section is installed with at least 2" of air space between the outer chimney wall and adjacent combustible materials.

Sheet steel support plates are used on both ends of the chimney section to keep the connector centred. The opening around the chimney section is closed on both sides of the wall with sheet steel plates and the chimney section is securely fastened to the plates. Fasteners used to support the chimney section should never penetrate the inner flue liner.

See NFPA-211 for other approved wall passthrough methods.

2.2 Chimneys

There are two types of chimneys suitable for the Jøtul F 602 USA. An approved masonry chimney, or a listed residential-type building heating appliance chimney.

When selecting a chimney type and the location for the chimney in the house, keep this in mind: it is the chimney that makes the stove work, not the stove that makes the chimney work. This is because a chimney actually creates suction, called draft, which pulls air through the stove.

Several factors affect draft: the height, cross-sectional area, and temperature of the chimney, as well as the proximity of surrounding trees or buildings.

In general, a short masonry chimney on the exterior of the house will give the poorest performance. This is because it can be very difficult to warm up, and in extremely cold northern areas it may not work at all.

A tall masonry chimney inside the house is easier to keep warm and will work best.

This guideline gives the necessary chimney requirements based on the U.S. national code (NFPA-211). However, many local codes differ from the national code to take into account climate, altitude, or other factors. It is important that you check with your local building officials to find out what codes apply in your area before constructing a chimney.

Masonry Chimneys

The minimum requirements for a properly constructed chimney include the following:

- The foundation must be large enough to support the intended chimney without settling.
- The masonry wall of the chimney, if brick or modular block, must be a minimum of 4" nominal thickness. A mountain- or rubble-stone wall must be at least 12" thick.
- The chimney must have a fireclay flue liner (or equivalent with a minimum thickness of 5/8" and must be installed with refractory mortar. There must be at 1/2" air space between the flue liner and chimney wall.
- The preferred fireclay flue liner size has a nominal size of 8" x 8", and should not be larger than 8" x 12". If round fireclay liners are used, the inside diameter should be 6" and not larger than 8". If an existing chimney with larger tiles is used it should be relined with an appropriate liner.
- No other appliance can be vented into the same flue.
- An airtight cleanout door should be located at the base of the chimney.

A chimney inside the house must have at least 2" of clearance to the combustible structure. A chimney outside the house must have at least 1" clearance to the combustible structure. Fire stops must be installed at the spaces where the chimney passes through floors and/or ceilings. Remember that there must be air space around the chimney, and that insulation must be 2" or more from the chimney.

A chimney, whether masonry or prefabricated metal, must be the required height above the roof or other obstruction for safety and for proper draft operation. The requirement is that the chimney must be at least 3' higher than the highest point where it passes through the roof and at least 2' higher than the highest part of the roof or structure that is within 10' of the chimney, measured horizontally (**fig. 4, page 23**).

Chimneys shorter than 14' may not provide adequate draft. This could result in smoke spilling the room from the door or joints in the stove or pipe. In addition, inadequate draft can cause puffing. A too-strong draft, on the other hand,

cause excessive temperatures and can shorten burn times. Excessive drafts can be corrected by having your dealer install a barometric damper at 0.1" of water column. If you suspect you have draft problem, consult your dealer.

Listed Metal Prefabricated Chimneys

The heater must be connected to a listed Type HT per UL 103 or ULC S629 prefabricated chimney. When a metal prefabricated chimney is used, the manufacturer's installation instructions must be followed precisely. You must also purchase (from the same manufacturer) and install the ceiling support package or wall pass through, the "T" section package, the firestops (when needed), the insulation shield, the roof flashing, the chimney cap, etc. Maintain the proper clearance to the structure as recommended by the manufacturer. This clearance is usually a minimum of 2", although it may vary by manufacturer or for certain components.

There are basically two methods of metal chimney installation. One method is to install the chimney inside the residence through the ceiling and the roof (**fig. 5, page 24**).

The other method is to install an exterior chimney that runs up the outside of the residence.

USA

3.0 Connection to the Chimney

Masonry Chimneys

When connecting to a masonry chimney, the chimney connector must slide completely inside the chimney thimble (or breach) to the inner surface of flue liner, make sure the connector does not protrude past the inside of the flue liner as that will reduce the flow area available for the smoke and ultimately cause problems with your chimney system. The chimney connector should be sealed into the thimble with refractory cement and the connector should also be mechanically fastened to the chimney. See fig. 6, page 23.

Prefabricated Chimneys

Always follow the chimney manufacturer's instructions and use all the components required by the manufacturer. Do not take shortcuts or use make shift methods for securing the chimney connector to the chimney.

Note: The clearances expressed in inches are those approved for installations in the United States. The clearances in parentheses that are expressed in centimeters are those approved for installations in Canada. Different test standards for the respective countries may result in differences in the clearance requirements.

4.0 Clearances to Combustibles

4.1 Floor Protection

A bottom heat shield is required in all installations. In addition, your stove must be placed on a noncombustible surface that extends 8" beyond the sides and back of the stove and 16" in the front of the stove. This will result in an overall base that is 28 1/2" wide x 45- 1/2" deep . This is the minimum floor protector size. Floor protection must also be used under the stove pipe and must extend 2" beyond either side of the pipe (fig. 7, page 23).

The floor protection must have a minimum R value of .47. Warning! Never put any type of floor protection on top of carpeting.

4.2 Alternate Floor Protection

All floor protection materials must be non-combustible (i.e., metals, brick, stone, mineral fiber boards, etc.). Any organic materials (i.e., plastics, wood, paper products, etc.) are combustible and must not be used. The floor protector specified may include some form of thermal designation such as R-value (thermal resistance), k-factor (thermal conductivity), or C-factor (thermal conductance).

The easiest means of determining if a proposed alternate floor material meets requirements listed in the appliance manual is to follow the procedure: See page 27.

4.3 Clearance to Adjacent Combustible Materials

The diagrams in figures 8-9-10 - page 23, give the required clearances you must maintain from unprotected combustible materials or objects.

A combustible is anything that can burn, and in the case of stove installations, these combustibles may not be visible. If you are not sure of the combustible nature of any material in the vicinity of your planned stove installation, you should check with your local fire officials. Remember that "fire resistant" materials are considered combustible; they are difficult to ignite, but they will burn.

If you have recently purchased a home that has a stove hearth in it that you plan to use, it is extremely important that the entire system be examined for safety. Many older homes may have faulty chimneys, or previous owners may have covered combustible walls or studs with brick veneers. Heat is conducted readily through brick and could ignite unseen combustibles behind it.

Contact local building or fire official about restrictions and installation requirements in your area.

4.4 Using a Rear Heat Shield to Reduce Clearance in Alcove Installations

The Jøtul F 602 USA optional rear heat shield, PN HS50, may be used only in top-exiting parallel installations to reduce clearance as shown in **figures 11,12,13, page 24**.

4.5 Using Wall Protectors to Reduce Clearances

The wall protector must be non-combustible, such as a minimum 24 gauge galvanized steel or its equivalent. The wall protector must be elevated 1" from the floor to provide an air space of at least 1" between the shield and the combustible wall. See **figures 16, 17, and 18 on pages 24 and 24** for approved sizing specifications.

4.6 Alcove installation

When installed with a listed double wall pipe and with wall protection, the Jøtul F 602 USA can be placed in an alcove that has a minimum height of 96"¹ and a maximum depth of 48", and a minimum width of 41". The clearances for this installation are shown in **figure 14-15, page 24**.

When installed with a listed double wall pipe and with a stove heat shield, the Jøtul F 602 USA can be placed in an alcove that has a minimum height of 96"¹ and a maximum depth of 24"², and a minimum width of 55". The clearances for this installation are shown in **fig. 12-13, page 24**.

In an alcove, the height of the wall protector, including the air space at the bottom, must be at least 41" (104 cm) (**see fig. 15, page 23**). Both side walls and the rear wall must be protected by the wall protector (**fig. 14, page 24**).

(¹See NFPA 211 for ceiling clearance reductions with protection.)

For a fireplace installation, refer to the clearance specifications as shown in fig. 20, page 26.

5.0 Operation

Before building a fire in your new stove, please read the following section carefully.

5.1 Use Solid Wood Fuel Only

The stove is designed to burn natural wood only. Higher efficiencies and lower emissions generally result when burning air-dried seasoned hardwoods, as compared to softwoods or to green or freshly-cut hardwoods.

Do not burn:

- Coal
- Garbage
- Cardboard
- Treated or painted Wood Solvents
- Treated or painted Wood
- Chemical Chimney Cleaners
- Colored Paper
- Any synthetic fuel or logs that have not been approved for wood stoves.

Burning treated wood, garbage, solvents, colored paper, chemical chimney cleaners, or trash may result in release of toxic fumes.

Never use gasoline, gasoline-type lantern fuel, kerosene, charcoal lighter fluid, or similar liquids to start or "freshen up" a fire in this heater. Keep all such liquids far away from the heater while it is in use.

5.2 Wood Storage

When storing wood outside, it should be covered and stored off the ground to protect it from the elements. Make certain that the woodpile has good air circulation through it in order to promote drying to aid in the seasoning process.

To obtain the best performance from your stove, we recommend using seasoned hardwood that has been dried and stored under cover for at least one year. Burning unseasoned or wet wood causes the rapid development of creosote and reduces the heat value of the wood.

Creosote and Soot Formation and the Need for Removal

When wood is burned slowly, it produces tar and other organic vapors which combine with expelled moisture to form creosote. These creosote vapors condense in the relatively cool chimney flue of a slow burning fire. The creosote that accumulates in the flue is highly flammable and is the fuel of chimney fires. To prevent a chimney fire, the creosote needs to be removed by sweeping the chimney and flue connector. The frequency of sweeping will depend on how you operate your stove, but it is important to inspect the flue after every two weeks of use. An accumulation of 1/4" or more on the sides of the flue or connector is considered hazardous and should be removed.

USA

In the event that creosote in your chimney or flue connector ignites, the resulting fire is often accompanied by a roaring noise and a crackling sound as flakes of burned creosote break loose. If you suspect you are having a chimney fire, immediately close the draft regulator and make sure the stove door is closed. Call the fire department and get everyone safely out of the house.

Trying to extinguish the fire in the stove will not help. In fact it can make the matter worse by allowing oxygen through the door, which then supports the fire in the chimney. When the roaring and crackling has stopped, you should resist the temptation to open the door and look at the fire. The fire may have suffocated, but could rekindle when you open the door. After a chimney fire, do not use your stove until the chimney and the flue connector has been cleaned and inspected to ensure that no damage has been sustained.

5.3 Controls

Front Door Latch

The latch for the front door is conveniently located to the left of the door's center. To open the door, simply raise the latch and pull the door toward you. To shut the door, raise the latch, push the door tightly against the stove front, and lower the latch. See **fig. 19 A, page 26**.

Air Control

The sliding air control (See **fig. 19 B, page 26**) is located in the bottom center of the front door.

Sliding the control to the right opens the air control and increases the heat output; sliding it to the left closes the control and decreases the heat output.

Slide the control fully to the right when first starting or reviving a fire, or when maximum heat is required. Position the control in the middle or left of the middle when less heat is needed and when longer burn times are desired. You will determine the best settings for your particular needs as you gain experience with your stove.

Hot while in operation. Keep children, clothing and furniture away. Do not store fuel within the clearances listed previously.

5.4 Breaking in Your Stove

A cast iron stove should be "broken in" gradually. Five consecutive small fires must be built in the stove prior to operating the stove continuously. Each fire should be a little larger than the previous one, and the last fire should be a full-sized load. Allow the stove to cool completely between fires.

It is normal for new painted stoves to emit a smell or even some smoke during the first few fires. This is caused by the seasoning of the high temperature paint, and the odor will diminish with each fire and eventually disappear. Opening a window or door near the stove will help provide additional ventilation and reduce the odor.

5.5 Building a Fire

A good fire will efficiently utilize your fuel, keep the glass in the door clean, keep emissions and creosote to an absolute minimum, require less work, and be very predictable.

A Good Foundation

- Make sure the air control handle is fully to the right. Open the front door and cover the bottom of the stove with tightly crumpled newspaper. Criss-cross a generous double handful of dry kindling, such as split pieces of scrap lumber, on top of the paper. If you don't have scrap lumber, split some of your best dry wood down to finger-sized pieces and use that. Place three or four 1" - 2" split pieces of dry wood on top of the kindling.
- Light the paper evenly across the front and close the door.
- Continue to add 1" - 2" pieces of split dry wood until a healthy bed of glowing coals has formed.
- You can now add three or four small-to-medium pieces of wood. Allow this wood to burn for several minutes. Once you are sure the wood is burning well, adjust the air control to your desired heat output level. Moving it to the right increases the heat; moving it to the left decreases the heat. Avoid operating the stove with the air control closed completely.
- In order for secondary combustion to occur, the fire must be well established with temperatures above 1,000°F (600°C) in the firebox.
- If the fire dies out, this cause is most likely either an insufficient bed of coals, reducing the air supply too soon, or using wood that is either too large or not dry enough.

5.6 Reloading

Reload the stove while it is still hot and there are plenty of hot to ignite the fresh fuel load. It is a good idea to include a smaller piece or two of wood at the base of the new load to help the stove recover more quickly to its operating temperature.

Reloading Procedure

- Always wear gloves when tending your stove.
- Push the air control to the right to the full open position.
- Wait a few seconds and open the door.
- Use a stove shovel or similar tool to break up any remaining charcoal and to drag some live embers toward the front where combustion air enters.
- Load the fuel (Smaller pieces first).
- Close the door.
- Wait 5-10 minutes and adjust the air control to desired setting.

Note: If the charcoal bed present at reloading time is relatively deep (2"-3") and your wood is well seasoned, it is possible to add the fresh fuel load, close the door and reset the air control for the desired heat output rate within 5 minutes.

5.7 Open Door Fire-viewing

Warning: This stove should be operated with the door either fully open with the optional Spark Screen in place, or with the door fully closed.

If the door is left partly open, there is risk of overfiring.

Also, gas and flame may be drawn out of the fireplace stove opening, creating risks from both fire and smoke. Be aware that when operating with the door open, there exists the possibility of generating carbon monoxide by some fuels (e.g. charcoal), and the hazards of carbon monoxide. Be sure adequate fresh air and ventilation is available to the stove.

5.8 Ash Removal

Ash removal will be required every day or two during normal operation, and is most easily done when the fire has burned down to coals.

Use a shovel to push or rake any hot coals first to one side. Shovel out the exposed ash, and push or rake the hot coal to the other side. Remove the ash from the second side as well, and then spread the hot coals evenly across the firebox. Wood may now be added to start a new fire.

When removing ash from a stove that is in operation, close and latch the door before taking the ashes outside for safe disposal. It is always a good idea to wear heavy protective gloves while removing and disposing of the ashes from your stove.

Ashes should be placed in a metal container used exclusively for ashes, with a tight fitting lid. The closed container of ashes should be placed outdoors, well away from all combustible materials, pending final disposal. If ashes are disposed of by burial in soil or otherwise dispersed, they should be retained in the closed container until all cinders have thoroughly cooled.

6.0 Maintenance

6.1 Glass Cleaning

From time to time, clean off the accumulated ash from the inside surfaces of the glass panels. If this fly ash is allowed to remain on the surface for extended periods, it could eventually cause the glass to become permanently etched and somewhat cloudy. Any creosote which might deposit on the glass will burn off during the next hot fire.

Never clean the glass while it is hot and never use any abrasive materials to clean the glass. Cool water and a soft cloth or paper towel are usually all that is required. Rinse thoroughly with clean water after washing and dry completely before burning your stove.

6.2 Glass Replacement

To prevent cracking of the glass operate the doors gently. Do not shut the door by striking or slamming.

If the stove's glass is cracked or broken, you must replace it before operating your stove. Carefully remove any broken pieces. Replace the panel only with the correct Jøtul replacement glass, and do not use substitutes.

The glass can be replaced with the door still mounted to the stove or the door can be removed and placed on a flat working surface. The steps are the same: Clean off any residual gasket material from the door using a wire brush if necessary.

The replacement gasket is self-adhesive. Measure enough gasket to go from the upper right corner of the glass, down the right side, across the bottom and back up to the upper left corner and then add about 2-1/2". Please note that the top of the glass is not gasketed. A small amount of air is allowed to enter through the that area to help keep the glass clean.

- Peel off about 10" of the self-adhesive backing strip. Leaving about 1-1/4" of gasket "tail" overlapping, apply the gasket to the groove on the door, making sure that the adhesive is facing the door.
- Press the gasket firmly in place.
- Peel off the remaining adhesive backing and apply the remaining gasket, again leaving a "tail" at the upper left corner.
- Press the gasket firmly in place.
- Center the glass panel left and right on top of the gasket. Slide the glass toward the bottom of the door until it hits stops.
- Hold the glass in place with your hand and wrap the gasket "tails" over the top of the glass and down the outer edges. You will have to twist the gasket so the adhesive will face the glass. Press the "tails" firmly on the glass.
- Replace the air control slide and the upper and lower retainer manifolds and screws.

USA

It is extremely important that the retainers be tightened a small amount at a time and following a pattern similar to tightening the lug bolts on an automobile wheel. They should end up equally tightened and not over-tightened. It may be necessary to retighten once again after the stove has been burned and the new gasket has been seated.

6.3 General

As with your car, regular maintenance will prolong the life of your stove and ensure satisfactory performance.

A good time to do this is when you are cleaning the chimney and the connector. You should clean the chimney and connector whenever accumulations of soot and creosote reach 1/4" thick, which may be several times a year, depending on how the stove is operated.

Thoroughly clean the entire stove. Brush all ash and soot out of the stove. It is better to brush out the ash and soot than to vacuum it out because soot particles are small enough to pass through most vacuum bags.

In a dark room, use a strong light to inspect the stove inside and out for cracks or leaks at corners and joints. Cracked pants should be replaced. Leaks at joints can be patched with stove furnace cement.

- **Enamel Care:**
DO NOT ATTEMPT TO CLEAN HOT ENAMEL SURFACES. Clean only cold enamel surfaces with a soft damp cloth and polish with a clean dry cloth.
DO NOT USE SOAPY OR ABRASIVE SOLUTIONS. These can cause stains. Coffee, tea, and fruit juices will also cause stains.
- Avoid contact with metal objects. Trivets, kettles, or pots, can damage the enamel.

6.4 Gaskets

Check the door and window gaskets for tightness. To check the front door gasket, put a dollar bill halfway into the stove, close and latch the door, and try pulling the dollar out. If it can be removed easily the seal is too loose. Check several spots around the door. To replace the gasket, scrape out all old gasket material and gasket cement. Spread a 1/8" bead of stove cement into the bottom of the groove and press in new gasket.

The door requires 3/6" of 1/4" diameter high density gasket. The gasket between the glass panel and the door receives very little wear. The best indication that it needs to be replaced is streaks on the glass caused by air leaking around the gasket.

6.5 Chimney System

The Jøtul F 602 is designed to burn cleanly and efficiently when used according to the guidelines in this manual. In order to maintain proper performance, you should inspect the chimney and chimney connector at the beginning of

each heating season and then, twice a month during the heating season. Clean the chimney whenever creosote and fly ash accumulation exceeds 1/4 inch in any part of the system.

Chimney brushes are available from your local Jøtul dealer or hardware supply store. Your dealer can also refer you to a reputable, professional chimney sweep who will have all the equipment to ensure a complete and proper job. Failure to keep the chimney system free of creosote and build up could result in a serious chimney fire.

7.0 Jøtul N. A. wood-burning product limited warranty

Effective February 1, 2010

This warranty policy applies to wood-burning products identified by Jøtul and Scan trade names, as set forth below.

A. Cast Iron, Enamel, and Steel Components:

Jøtul North America Inc. (JØTUL) warrants, to the original retail purchaser, that those components of the Jøtul or Scan Stove or Fireplace specified above will be free of defects in material and workmanship for a period of five (5) years from the date of purchase. This warranty is subject to the terms, exclusions and limitations set forth in the following text.

B. Electrical Components (blowers, thermostatic switches):

JØTUL warrants, to the original retail purchaser, that those components of the Jøtul or Scan Stove or Fireplace specified above will be free of defects in material and workmanship for a period of one (1) year from the date of purchase. This warranty is subject to the terms, exclusions, and limitations set forth in the following text

JØTUL will repair or replace (including parts & labor), at its option, any of the above components determined by JØTUL to be covered by this warranty. You must, at your own expense, arrange to deliver or ship the component to an authorized Jøtul or Scan dealer and arrange for pickup or delivery of the component after repairs have been made. If, upon inspection, JØTUL determines that the component is covered by this warranty, the repair or replacement will be made as set forth above. This warranty is not transferable and is extended only to, and is solely for the benefit of, the original retail purchaser of the Jøtul or Scan Stove or Fireplace. This paragraph sets forth the sole remedy available under this warranty in the event of any defect in the Jøtul or Scan Stove or Fireplace.

The warranty period for any replaced component will be the remaining unexpired portion of the warranty period for the original component.

Please retain your dated sales receipt in your records as proof of purchase.

Exclusions and limitations

Notice: This warranty is void if installation or service is performed by someone other than an authorized installer or service agency, or if installation is not in conformance with the installation and operating instructions contained in this owner's manual or local and/or national fire and building regulations. A listing of local authorized installers, service agencies and gas suppliers can be obtained from the National Fireplace Institute at <http://www.nficertified.org/>.

This warranty does not cover the following:

1. Repair or replacement of parts that are subject to normal wear and tear during the warranty period or to parts that may require replacement in connection with normal maintenance. These parts include paint, gaskets, burn plates, baffles, air manifolds, firebricks, fire grates, or glass (glass is only warranted against thermal breakage).
2. Damage due to incorrect installations not in conformance with the installation instructions contained in this owner's manual or local and/or national fire and building regulations.
3. Damage, including damage to enamel surfaces, caused by improper operation, over-firing, and/or misuse. Improper operation, such as burning the stove with the ash door open, can damage the stove. Over-firing occurs when any part of the stove glows red. Over-firing can also be identified by warped plates, rust-colored cast iron, paint pigment that has turned dusty white, or bubbling, cracking and discoloration of the enamel finish. Misuse includes, without limitation, use that is not in conformance with the operating instructions contained in this owner's manual.
4. Damage due to service performed by an installer or service agency, unless otherwise agreed to in writing by JØTUL.
5. Damage caused by unauthorized modification, use or repair.
6. Costs incurred by travel time and/or loss of service.
7. Labor or other costs associated with the repair of components beyond the warranty period.
8. Damage incurred while the Jøtul or Scan Stove or Fireplace is in transit.

IN NO EVENT SHALL JØTUL, ITS PARENT COMPANY, SHAREHOLDERS, AFFILIATES, OFFICERS, EMPLOYEES, AGENTS OR REPRESENTATIVES BE LIABLE OR RESPONSIBLE TO YOU FOR ANY SPECIAL, INDIRECT, INCIDENTAL, CONSEQUENTIAL, PUNITIVE OR OTHER SIMILAR DAMAGES, INCLUDING, BUT NOT LIMITED TO, LOST PROFITS, LOST SALES, INJURY TO PERSON OR PROPERTY, OR DAMAGES TO A STRUCTURE OR ITS CONTENTS, ARISING UNDER ANY THEORY OF LAW WHATSOEVER. ALL IMPLIED WARRANTIES, INCLUDING THE IMPLIED WARRANTIES OF MERCHANTABILITY AND FITNESS FOR A PARTICULAR PURPOSE, OR OTHERWISE, ARE LIMITED IN DURATION TO THE LENGTH OF THIS WRITTEN WARRANTY. EXCEPT AS EXPRESSLY SET FORTH HEREIN, JØTUL MAKES NO ORAL, WRITTEN OR OTHER WARRANTY WITH RESPECT TO JØTUL OR SCAN STOVES OR FIREPLACES.

Some states do not allow the exclusion or limitation of incidental or consequential damages, or limitations on the length of implied warranties. Therefore, the above exclusions or limitations may not apply to you. This warranty gives you specific legal rights, and you may have other rights, which vary from state to state.

JØTUL reserves the right to discontinue, modify or change the materials used to produce the Jøtul or Scan Stove or Fireplace.

USA

JØTUL shall have the right to replace any defective component with substitute components determined by JØTUL to be of substantially equal quality and price.

The dollar value of JØTUL's liability for breach of this warranty shall be limited exclusively to the cost of furnishing a replacement component. JØTUL shall not in any event be liable for the cost of labor expended by others in connection with any defective component. Any costs or expenses beyond those expressly assumed by JØTUL under the terms of this warranty shall be the sole responsibility of the owner(s) of the Jøtul or Scan Stove or Fireplace.

No dealer, distributor, or other person is authorized to modify, augment, or extend this limited warranty on behalf of JØTUL. **NO MODIFICATION OR CHANGE TO THIS WARRANTY WILL BE EFFECTIVE UNLESS IT IS MADE IN A WRITTEN DOCUMENT MANUALLY SIGNED BY AN AUTHORIZED OFFICER OF JØTUL.**

An authorized installer may have been provided with certain information related particularly to the Jøtul or Scan Stove or Fireplace; however, no authorized installer or other person who may service the appliance is an agent of JØTUL. No inference should be made that JØTUL has tested, certified, or otherwise pronounced any person as qualified to install or service the appliance. JØTUL shall not be liable or otherwise responsible for any error or omission by a person installing or servicing a Jøtul or Scan Stove or Fireplace.

If you believe your Jøtul or Scan Stove or Fireplace is defective, you should contact your nearest authorized Jøtul or Scan dealer, who will process a warranty claim. **IN ORDER TO QUALIFY FOR WARRANTY COVERAGE, JØTUL MUST RECEIVE NOTICE OF A POSSIBLE DEFECT WITHIN SIXTY (60) DAYS OF THE DATE THE DEFECT IS FIRST DISCOVERED, OR REASONABLY COULD HAVE BEEN DISCOVERED.**

*This warranty is given by Jøtul North America, Inc.,
55 Hutcherson Drive, Gorham, Maine 04038 USA*

Table des matières

Information d'ordre général

Dangers possibles à éviter pendant L'utilisation du "Jøtul F 602 USA"	13
---	----

1.0 Installation

Avis de sécurité	14
Sortie des fumées par le dessus ou par l'arrière.....	14
Fixation des pieds.....	14

2.0 Organisez-vous d'avance

Raccord de cheminée (tuyau de poêle).....	15
Traverse murale.....	15
Cheminées	16
Cheminées de maçonnerie	16
Cheminées métalliques préfabriquées homologuées.....	16

3.0 Connexion à la cheminée

Cheminées de maçonnerie	17
Cheminées préfabriquées	17

4.0 Dégagement jusqu'aux matériaux

Protection de plancher.....	17
Alternante Protection de plancher	17
Dégagements jusqu'aux matériaux combustibles adjacents.....	17
Utilisation d'écrans thermiques pour diminuer les dégagements.....	18
Utilisation de protège-murs pour diminuer les dégagements d'installations en alcôve ..	18
Installation en alcôve	18

5.0 Fonctionnement

Ce poêle a été conçu uniquement pour le brûlage de bois naturel.....	18
Entreposage/Rangement du bois.....	18
Formation de créosote et de suie et nécessité de les éliminer.....	18
Loquet - Porte de devant	19
Commande d'air	19
Rodage de poêle	19
Préparation de feu.....	19
Bonne fondation.....	19
Rechargement.....	20
Vue sur le feu porte ouverte.....	20
Retrait des cendres.....	20

6.0 Entretien

Nettoyage de panneau du verre.....	21
Remplacement du verre	21
Généralités.....	21
Les joints	21

7.0 Garantie limitée de Jøtul sur les appareils de chauffage au bois.....22

Jøtul F 602 Woodstove Clearances.....24 Diagrammes 25-30

Information d'ordre général

Le manuel du propriétaire décrit l'installation et le fonctionnement du poêle à bois, non catalytique, Jøtul F 602 USA. Ce poêle est conforme aux limites imposées par l'agence américaine pour la protection contre les émissions des poêles à bois vendus après le 1er juillet 1990. Ce poêle a en outre démontré, sous conditions de test spécifiques, que sa puissance calorifique pouvait s'étendre entre 9 600 et 42 000 Btu/h.

Pendant l'installation, le fonctionnement ou l'entretien du poêle Jøtul F 602 USA, veillez à suivre les directives du présent manuel. Conservez-les et tenez-les à la disposition de toute personne susceptible de se servir de ce poêle.

Plusieurs régions des États-Unis et du Canada requièrent un permis de construction pour l'installation d'un appareil de chauffage à combustible solide. La norme canadienne CAN/CSA(ACNOR) B-365 (Code d'installation pour appareils et équipement à combustible solide) ou codes similaires pourront s'appliquer à l'installation d'appareils de chauffage à combustible solide dans votre région. Votre concessionnaire Jøtul est au courant de ces codes locaux et pourra vous renseigner sur la sûreté et la légalité de votre installation. Communiquez, en outre, avec votre agent d'assurance, votre inspecteur de la construction ou les responsables officiels de la prévention des incendies afin de déterminer quels règlements s'appliquent dans votre région.

Le Jøtul F 602 USA a été testé et homologué conformément à la norme CAN-ULC S627 de Scarborough, Ontario.

Dangers possibles à éviter lorsque vous employez un poêle à bois Jøtul F 602 USA

Un feu allumé dans une maison représente toujours certains dangers. Les surfaces d'un poêle Jøtul F 602 USA soumises à une surchauffe intense pourront en pousser la température au-delà de 1 000°F (536°C).

Conformez-vous aux directives suivantes :

- Ne surchauffez jamais le poêle. L'incandescence de l'une quelconque des parties du poêle signifie surchauffe et risque éventuel d'un incendie ou de graves dommages au poêle ou à la cheminée. En l'occurrence, fermez immédiatement le distributeur d'air.
- Faites comprendre aux enfants qu'un poêle chauffe et qu'ils risquent de se brûler en y touchant.
- N'employez jamais de l'essence, du carburant pour lanternes genre essence, kérosène, allumeur liquide de charbon de bois ou autre liquide similaire dans ce poêle pour commencer un feu ni pour le raviver. Ceux-ci risquent de s'enflammer avec une vigueur explosive pouvant causer des blessures graves et parfois mortelles. Conservez tous ces liquides éloignés du poêle en fonctionnement.

CANADA

- N'employez jamais ce poêle dans une résidence où sont conservées des sources de gaz de combustion tels que certains liquides nettoyants d'usage domestique, adhésifs et peintures pour n'en nommer que quelques-uns. Souvenez-vous qu'un poêle à bois est, lui-même, une «source de flammes nues».
- Évitez de créer une pression basse dans la pièce chauffée généralement causée par l'utilisation d'un appareil tel qu'un ventilateur d'échappement, une sècheuse à linge etc., ceci pouvant libérer les vapeurs toxiques du poêle dans la pièce chauffée. Pour parer à cette condition, prévoyez suffisamment d'air de combustion extérieur dans un rayon de 24 po. (61 cm) autour du poêle.
- N'employez jamais un poêle Jøtul F 602 USA si une vitre est fêlée ou brisée. Ne remplacez le verre endommagé que par un panneau Jøtul F 602 USA approprié acheté chez votre concessionnaire Jøtul.
- Ne brûlez jamais aucun déchet quel qu'il soit dans ce poêle.
- Éloignez tous matériaux combustibles à une distance considérable du poêle.
- Ne modifiez jamais le poêle de quelque manière que ce soit.
- Ne suspendez jamais du linge au-dessus du poêle; il risquerait en effet de s'enflammer en tombant.
- N'employez que du bois sec dans votre poêle.
- N'utilisez jamais de charbon de bois pour cheminées ni des bûches synthétiques non approuvés pour poêles à bois.
- Portez toujours des gants protecteurs pour ajouter du carburant au feu.
- Si des fumées s'échappent du foyer, cela peut activer les détecteurs de fumées (s'ils sont installés).
- Ne reliez pas ce poêle à un conduit de distribution d'air.
- Ce poêle n'a pas été approuvé pour usage dans les maisons mobiles.

1.0 Installation

Avis de sécurité

L'installation non appropriée de ce poêle à combustible solide risque de causer un incendie. Assurez votre sécurité en respectant les directives d'installation et consultez les autorités locales de la construction et de la prévention des incendies au sujet des limitations et des exigences relatives aux inspections particulières à votre région.

Veillez lire ce manuel tout entier avant d'installer et d'utiliser votre nouveau poêle. Tout manquement à observer ces directives risque de causer dommages matériels, blessures graves ou même la mort de personnes présentes.

Nous vous recommandons de faire installer votre poêle Jøtul F 602 USA par un installateur professionnel de poêles à combustible solide.

1.1 Sortie des fumées par le dessus ou par l'arrière

Votre poêle Jøtul F 602 USA vous offre deux positions de sortie de fumée.

Si vous choisissez la position supérieure, posez la plaquette appropriée en position arrière, maintenez-la avec vis et écrous puis fixez la virole du conduit de fumée à la partie supérieure au moyen des deux vis restantes.

Si vous préférez la position arrière, posez la plaquette appropriée en position par le dessus, maintenez-la avec les deux vis, puis fixez la virole du conduit de fumée à l'arrière au moyen des deux vis restantes et des deux écrous.

Lorsque vous attachez la plaquette ou la virole du conduit de fumée à l'arrière, il sera peut-être nécessaire d'introduire votre main dans l'orifice supérieur et de maintenir les écrous avec une clé anglaise.

1.2 Fixation des pieds

Le Jøtul F 602 USA est fourni avec quatre orifices prépercés dans la plaque du fond. Attachez chaque pied à cette plaque de fond avec un boulon et une rondelle entre la tête de boulon et le pied.

2.0 Organisez-vous d'avance

Plusieurs éléments, d'importance égale, contribuent à l'installation sûre de votre poêle : (2.1) le raccord de cheminée; (2.2) la cheminée-même; (3.0) la connexion entre le raccord et la cheminée et (4.0) la protection des matériaux combustibles dans la proximité immédiate du poêle.

2.1 Raccord de cheminée (Tuyau de poêle)

Le raccord de cheminée, également appelé tuyau de poêle ou conduit de fumée est employé pour relier le poêle à la cheminée. Il se composera d'acier noir, son diamètre sera de 15-1/4 cm et son calibre d'épaisseur #24.

Ne vous servez jamais d'un raccord composé de tuyau d'aluminium ou d'acier galvanisé, ces matériaux chauffés ne pouvant soutenir les températures extrêmes d'un feu de bois et risquant de dégager des vapeurs toxiques.

Un tuyau d'émail assorti est disponible pour votre poêle Jøtul F 602 USA. Veuillez demander de plus amples renseignements à votre concessionnaire Jøtul. N'employez jamais un tuyau de raccord en guise de cheminée.

L'adaptateur fourni en usine servira à ajuster l'orifice d'échappement de fumée de votre poêle au raccord de cheminée.

Les sections de raccord de cheminée doivent être attachées à l'adaptateur de sortie de fumée du poêle puis l'une à l'autre - l'extrémité plissée dirigée vers le poêle. (Illustr. 2, page 21).

L'espace entre l'adaptateur de sortie des fumées du poêle et le raccord de cheminée doit être scellé avec un ciment à poêle ou un joint de mastic de poêle à bois, approximativement dimensionné. Ceci permettra à toute petite quantité de crésote condensée de passer dans le poêle plutôt que de s'accumuler à l'extérieur du tuyau ou à l'orifice du dessus de poêle. Tous les joints, y compris l'adaptateur de sortie des fumées seront fermement maintenus par trois vis à tôle, pour empêcher les sections de se séparer.

Pour un fonctionnement approprié, le raccord de cheminée sera aussi court que possible. Les tuyaux horizontaux auront une pente ascendante, depuis le poêle, d'0.6 cm. Évitez d'utiliser plus de deux coudes à 90° ou une longueur totale de tuyau supérieure à 305 cm.

Aucune partie du raccord de cheminée ne passera à travers combles ou vides sous toits, armoires ou autres espaces dissimulés, planchers ni plafonds. Évitez autant que possible de faire passer un raccord de cheminée à travers un mur combustible.

Traverses murales

Lorsque votre installation requiert inévitablement de faire passer le raccord de cheminée de votre poêle à travers un mur combustible, d'extrêmes précautions devront être prises. La norme CAN/CSA(ACNOR) B-365 (*Code d'installation pour appareils et équipement à combustible solide*) prévoit quatre méthodes à cet effet.

Avant de commencer votre installation, renseignez-vous auprès de vos autorités locales de la construction sur la méthode de traverse proposée, pour votre poêle, compatible avec les codes locaux de la construction.

La méthode la plus commune de traverser un mur pour atteindre une cheminée de maçonnerie exige le retrait de tous matériaux combustibles dans un rayon d'au moins 30.5 cm autour du raccord tout entier pour être remplacés par une épaisseur de briques de 30.5 cm (35.5 cm) cm au moins autour d'une chemise argileuse. Veillez à placer celle-ci de sorte que le dessus du raccord de cheminée soit au moins 45-314 cm plus bas que le plafond.

Pour construire le «passe muraille» de brique, une ouverture d'au moins 76 cm x 76 cm est nécessaire. Des poteaux muraux seront en outre coupés, des boutisses installées et un encadrement construit conformément aux dimensions appropriées pour soutenir le poids des briques. Des briques solides de 9 cm (format nominal 10 cm seront employées. La chemise argileuse (ASTM C35 ou équivalent) d'une épaisseur murale de 1 -1/2 cm ne pénétrera pas la cheminée au-delà de la surface intérieure de la chemise de celle-ci et sera fermement cimentée en position.

S'il s'avère nécessaire de découper un cercle dans la chemise de la cheminée, prenez toutes précautions possibles pour l'empêcher de se briser. Un mortier réfractaire sera employé au point de jonction de la chemise de cheminée. (Illustr. 3, page 21)

Une installation approuvée utilisant une section de cheminée isolée homologuée pour combustible solide, construite en usine en guise de traverse murale (passe-muraille) pour le raccord de cheminée.

Le diamètre intérieur de la section de cheminée sera 5 cm plus large que celui du raccord de cheminée; il mesurera 30.5 cm au moins et sera isolé sur une épaisseur d'au moins 2-1/2 cm.

Cette section installée présentera un espace d'air d'au moins 5 cm entre la paroi extérieure de la cheminée proprement dite et les matériaux combustibles adjacents.

Des plaques d'appui en feuille d'acier sont utilisées à chaque extrémité de la section de cheminée afin que le raccord demeure bien centré. L'orifice autour de la section de cheminée est bouché de chaque côté de la paroi murale avec des plaques en feuille d'acier auxquelles la section de cheminée est alors fermement attachée. Les attaches utilisées pour soutenir la section de cheminée ne pourront, en aucune circonstance, pénétrer la chemise intérieure du conduit de fumée.

Voyez la norme ; La norme CAN/CSA(ACNOR) B-365 pour toute autre méthode passe-muraille, approuvée.

CANADA

2.2 Cheminées

Deux types de cheminée conviennent pour votre poêle Jøtul F 602 USA : une cheminée de maçonnerie approuvée ou une cheminée d'appareil de chauffage de type résidentiel, homologuée pour sa sûreté.

Rappelez-vous, lorsque vous choisissez un type de cheminée et son emplacement dans la maison que c'est grâce à elle que le poêle peut fonctionner et non pas grâce au poêle que la cheminée fonctionne. Cela est dû au fait que la cheminée crée une aspiration appelée tirage qui attire l'air à travers le poêle.

Le tirage réagit à plusieurs facteurs : hauteur, superficie en coupe et température de la cheminée, ainsi que la proximité d'arbres ou de constructions environnantes.

Une courte cheminée de maçonnerie à l'extérieur de la maison donne, généralement la performance la moins satisfaisante du fait qu'elle s'avère exceptionnellement difficile à chauffer et même impossible dans certaines régions extrêmement froides du Grand Nord.

Une haute cheminée de maçonnerie à l'intérieur de la maison facilite le chauffage et fonctionne le mieux.

Les présentes directives vous indiquent les exigences spéciales requises d'après le code national canadien, la norme CAN/CSA(ACNOR) B-365. Néanmoins, de nombreux codes locaux diffèrent du code national afin de tenir compte de facteurs tels que climat et altitude etc. Il est important que vous vérifiiez, auprès des autorités locales de la construction quels codes s'appliquent dans votre région avant de procéder à la construction d'une cheminée.

Cheminées de maçonnerie

Les exigences minimales pour construction appropriée d'une cheminée de maçonnerie comprennent ce qui suit :

La fondation doit être suffisamment large pour soutenir la cheminée envisagée sans affaissement.

Le mur de maçonnerie de la cheminée, soit en briques, soit en blocs modulaires, sera d'une épaisseur nominale d'au moins 10 cm. Un mur de blocaille ou de moellons bruts aura au moins 30.5 cm d'épaisseur.

La cheminée doit être doublée d'une chemise argileuse (ou équivalente) d'au moins 1-1/2 cm et doit être installée au moyen de mortier réfractaire. Un espace minimal d'1-1/4 doit séparer la chemise du conduit de fumée du mur de la cheminée.

Le diamètre nominal préférable de la chemise argileuse de cheminée est de 20-1/4 x 20-1/4 cm; il ne pourra, en aucun cas, dépasser un diamètre maximal 20-1/4 x 30.5 cm. Une chemise circulaire requiert un diamètre intérieur de 15-1/4 cm - jamais plus de 20-1/4 cm. Si une cheminée à tuiles de plus grande dimension est employée, elle sera redoublée avec une chemise aspirée.

Aucun autre appareil ne sera aéré par le même conduit.

Une trappe de nettoyage hermétique sera située à la base de la cheminée.

Le dégagement d'une cheminée à l'intérieur de la maison doit être d'au moins 5 cm jusqu'à la structure combustible. Celui d'une cheminée extérieure sera d'au moins 2.5 cm jusqu'à la structure combustible. Des coupe-feu doivent être installés aux endroits où la cheminée traverse le plancher et (ou) le plafond.

Souvenez-vous que la cheminée doit être entourée d'un vide d'air suffisant et que le matériau isolant doit être éloigné de 5 cm ou plus de la cheminée.

Une cheminée, de maçonnerie ou métallique préfabriquée, sera de la hauteur requise, au-dessus du toit, ou de toute autre obstruction, pour en assurer la sécurité et le tirage approprié. Il est par conséquent nécessaire qu'elle soit d'au moins 3 pieds (91-1/2 cm) plus haut que le point le plus élevé auquel elle traverse le toit et d'au moins 2 pieds (61 cm) plus haut que la partie du toit ou de la structure la plus élevée dans une limite de 10 pieds (305 cm) de distance de la cheminée, mesurés horizontalement. (Illustr. 4, page 21).

Aucune cheminée de moins de 14 pieds ne peut assurer un tirage adéquat ; elle permettra, au contraire, à la fumée de s'échapper dans la pièce par la porte ou les joints du poêle ou du conduit de fumée. En outre, un tirage inadéquat pourra causer des retours de flammes dans la boîte à feu. D'autre part, un tirage trop vigoureux, en causant des températures excessives, risque de raccourcir les durées de combustion. Vous pourrez remédier à des tirages excessifs en faisant installer, par votre concessionnaire, un registre barométrique réglé pour une colonne d'eau de 0-1/4 cm. Si vous soupçonnez un problème de tirage, consultez donc votre concessionnaire.

Cheminées métalliques préfabriquées, homologuées.

Lorsque vous employez une cheminée métallique préfabriquée, suivez à la lettre les directives d'installation du fabricant. Vous devrez en outre acheter et installer l'ensemble de support de plafond, ou de «passe-muraille», l'ensemble de section en Té, les coupe-feu éventuellement requis, l'écran isolant, le chaperon de toiture, chapiteau de cheminée etc., tous provenant du même fabricant. Respectez le dégagement approprié jusqu'à la structure, tel que recommandé par le fabricant. De règle générale, ce dégagement doit être d'au moins 5 cm bien qu'il puisse varier selon le fabricant ou le type de certaines composantes. (Illustr. 5 page 22)

3.0 Connexion à la cheminée

Cheminées de maçonnerie

Lorsque vous raccordez votre poêle à une cheminée de maçonnerie, le raccord doit glisser complètement à l'intérieur de la rosace (ou «trouée») jusqu'à la surface intérieure de la chemise argileuse. Assurez-vous que le raccord ne fasse pas saillie au-delà de l'intérieur de la chemise, ce qui risquerait de diminuer la section de passage de fumée et de causer, en conséquence, des problèmes pour votre système de cheminée. Le raccord de cheminée sera scellé dans la rosace au moyen d'un ciment réfractaire et sera, en outre, attaché mécaniquement à la cheminée. (Illustr. 6, page 22).

Cheminés préfabriqués

Suivez toujours les directives du fabricant de cheminée et n'employez que les composantes recommandées par lui. Ne vous laissez pas tenter par des «raccourcis» ou des solutions de facilité lorsque vous fixez le raccord à la cheminée.

4.0 Dégagements jusqu'aux combustibles

4.1 Protection de plancher

Un écran de fond thermique est inclus aux éléments standard du poêle Jøtul F 602 USA et doit être présent dans toutes installations. De plus, le poêle sera placé sur une protection de plancher non combustible s'étalant sur 20-1/4 cm au moins au-delà des côtés et de l'arrière du poêle et de 40-1/2 cm par-devant ce qui vous donnera une protection de plancher de 84 cm de long par 115-1/2 cm de côté. Cette protection doit aussi recouvrir la surface par-dessous toutes sections horizontales de raccord de cheminée (tuyau de poêle) et doit s'étaler sur au moins 5 cm au-delà de chaque côté du tuyau. (Illustr. 7, page 22).

4.2 Alternante Protection de plancher

Le poêle sera posé sur un protège-plancher non combustible, homologué, comprendra de 0.9 cm d'épaisseur de carton à l'enrouleuse, d'une conductivité thermique de $K=0.84 \text{ Btu} \cdot \text{po} \cdot \text{par} \cdot \text{pi}^2 / \text{hre} \cdot ^\circ\text{F}$. Veillez à ce qu'il n'y ait aucun espace entre les briques ou les tuiles éventuellement utilisées afin d'éviter que des étincelles ou des braises n'enflamment le plancher.

Une bonne méthode à suivre pour la fabrication de votre protection de plancher est de couvrir la couche de protection avec une plaque décorative non combustible ou d'un renfort de carrelage tel que Wonderboard (MD) ou Durock (MD)

Ne posez jamais aucun genre de protection de plancher par-dessus tapis ou moquette.

4.2 Dégagements jusqu'aux matériaux combustibles adjacents

Le diagramme de l'illustr 8-9-10-page 22, stipule les dégagements requis à respecter jusqu'aux matériaux ou objets combustibles, non protégés.

Un combustible signifie tout ce qui est susceptible de brûler et peut parfois être invisible, en ce qui concerne les installations de poêle. Si vous n'êtes pas rassuré sur la combustibilité des matériaux environnant la surface d'installation prévue pour votre poêle, vérifiez auprès des responsables locaux de la prévention des incendies. Souvenez-vous que les matériaux soi-disant «résistants au feu» bien que longs à s'allumer, brûleront éventuellement. Ils sont, par conséquent, considérés comme combustibles.

Si vous avez récemment acheté une maison avec un âtre que vous prévoyez d'utiliser, il s'avère essentiel que la sécurité du système soit vérifiée auparavant. De nombreuses

CANADA

maisons anciennes ont des cheminées défectueuses ou les murs et poteaux combustibles peuvent avoir été recouverts d'un placage de briques par les propriétaires précédents. La brique étant un excellent conducteur de chaleur risque d'enflammer les combustibles qu'elle dissimule.

Communiquez avec vos autorités locales de la construction et de la prévention des incendies au sujet des limitations et exigences d'installation imposées dans votre région.

4.4 Utilisation d'écrans thermiques pour diminuer les dégagements

L'écran thermique arrière facultatif du poêle Jøtul F 602 USA peut être employé pour sortie des fumées par le dessus pour diminuer le dégagement d'installations parallèles, (Illustr. 11,12,13, page 23).

4.5 Utilisation de protège-murs pour diminuer les dégagements d'installations en alcôve

Le protège-mur d'une installation en alcôve sera non combustible - en acier galvanisé, par exemple, de calibre minimal #24 ou équivalent. Il sera élevé d'2.5 cm d'espace d'air au-dessus du plancher et sera monté de manière à ménager également 2.5 cm d'espace d'air au moins entre l'écran et le combustible. La hauteur du protège-mur, y compris celle de l'espace d'air au bas du mur doit être d'au moins 102-1/2 cm (Illustr. 15, page 21). Les deux murs latéraux ainsi que le mur arrière seront protégés par ce matériau. (Illustr. 14, page 23).

4.6 Installation en alcôve

Lorsque vous installez votre poêle Jøtul F 602 USA avec un tuyau homologué à double paroi et une protection murale, vous pourrez le poser dans une alcôve dont la hauteur minimale est de 244 cm et la largeur maximale 122 cm et la longueur minimale 103 cm.

Les dégagements pour une installation de ce genre sont indiqués dans l'illustration 14-15, page 23.

Lorsque vous installez votre poêle Jøtul F 602 USA avec un tuyau homologué à double paroi et un écran thermique pour poêle, vous pourrez le poser dans une alcôve dont la hauteur minimale est de 244 cm⁽¹⁾. l et la largeur maximale 61 cm⁽²⁾ et la longueur minimale 139-3/4 cm. Les dégagements pour une installation de ce genre sont indiqués dans l'illustr. 12-13, page 23.

Notes :

¹ Renseignez-vous auprès de votre concessionnaire sur les diminutions de dégagement de plafond avec protection.

² Si la largeur de l'un des deux murs latéraux est supérieure à 61 cm, (le dégagement du mur latéral le plus large sera de 63-1/2 cm.

5.0 Fonctionnement

Avant de préparer un feu dans votre nouveau poêle, veuillez lire attentivement le chapitre suivant.

5.1 Ce poêle a été conçu uniquement pour le brûlage de bois naturel

Le brûlage de bois séché à l'air a pour résultat des rendements plus efficaces et des émissions moins élevées comparativement au brûlage de bois tendre, vert ou bois dur fraîchement coupé.

Ne brûlez jamais :

- * ni charbon
- * ni ordures ménagères
- * ni carton
- * ni solvants
- * ni bois sec peint
- * ni nettoyeurs chimiques de cheminée
- * ni papier peint
- * - ni déchets
- * ni aucun carburant ou bûche synthétique quel qu'il soit, non approuvé pour poêles à bois.

Le brûlage de bois traité, ordures ménagères, solvants, papier peint, nettoyeurs chimiques de cheminée et déchets risque de libérer des vapeurs toxiques.

N'employez jamais de l'essence, du carburant pour lanternes genre essence, kérosène, allumeur liquide de charbon de bois ou autre liquide similaire dans ce poêle pour commencer un feu ni pour le raviver. Conservez tous ces liquides éloignés du poêle en fonctionnement. Entreposage/Rangement du bois.

5.2 Entreposage/Rangement du bois

Tout bois entreposé à l'extérieur sera couvert et le tas sera surélevé au-dessus du sol pour le protéger des intempéries. Veillez à l'entasser de manière à laisser suffisamment d'espace pour la circulation d'air afin de faciliter le processus de séchage.

Pour que votre poêle vous offre le meilleur rendement possible, nous vous recommandons d'utiliser du bois dur, séché et entreposé couvert pendant au moins un an. Le brûlage de bois non séché ou encore humide en diminuera la capacité calorifique en causant l'accumulation rapide de crésote et diminuera la puissance calorifique du bois employé.

Formation de crésote et de suie et nécessité de les éliminer

Lorsque le bois brûle lentement, il produit du goudron et d'autres vapeurs organiques qui, combinés à l'humidité expulsée, forment de la crésote, dont les vapeurs se condensent dans le conduit de fumée relativement froid

du tuyau de cheminée. Cette créosote accumulée est extrêmement inflammable ; elle est à l'origine de la plupart des feux de cheminée. Pour éviter un feu de cheminée, il vous faudra donc l'éliminer en ramonant la cheminée et le raccord du tuyau de fumée. La fréquence de ramonage dépendra du fonctionnement de votre poêle; néanmoins, il sera prudent de vérifier le tuyau de cheminée toutes les deux semaines d'utilisation du poêle. Une accumulation d'1/4 po. (0.6 cm) ou plus sur les parois de tuyau ou de raccord est considérée dangereuse et doit être nettoyée.

Au cas où la créosote accumulée dans le tuyau de cheminée ou le raccord s'enflammerait, le feu de cheminée est généralement signalé par un ronflement bruyant et des crépitements au fur et à mesure que la créosote se détache. Si vous soupçonnez un feu de cheminée, fermez immédiatement le régulateur de tirage et assurez-vous que la porte du poêle est close. Appelez les pompiers et faites sortir toutes les personnes présentes pour les mettre à l'abri.

Vous ne pouvez essayer d'éteindre le feu depuis l'intérieur du poêle; en fait, vous risqueriez d'empirer la situation en permettant la pénétration d'oxygène par la porte qui à son tour, continuerait d'alimenter le feu de cheminée. Lorsque le ronflement et les crépitements cessent, résistez à la tentation d'ouvrir la porte du poêle pour examiner le feu. Même si vous êtes parvenu à le suffoquer, il risque de se raviver lorsque vous ouvrez la porte. Après un feu de cheminée, n'employez votre poêle que lorsque la cheminée et le raccord auront été nettoyés et inspectés afin de vous assurer de l'absence de tout dommage.

5.3 Commandes

Loquet - Porte de devant

Le loquet de la porte avant est situé de manière pratique à gauche du centre de la porte. Pour ouvrir celle-ci, soulevez simplement le loquet et tirez la porte vers vous. Pour fermer, soulevez le loquet, pressez la porte fermement contre l'avant du poêle et abaissez le loquet. (**Voyez illustr. 19 A, page 24**)

Commande d'air

La commande d'air coulissante (**Illustr. 19 B, page 24**) est située sur le panneau avant, au-dessus de la porte de chargement de combustible.

Le glissement de la commande vers la droite augmente l'admission d'air et la sortie de chaleur ; son glissement vers la gauche diminue l'admission d'air et la sortie de chaleur.

Glissez intégralement la commande vers la droite pour mettre un feu en marche, pour le raviver ou lorsqu'un chauffage maximal est désiré. Positionnez la commande au milieu ou à gauche du milieu pour une chaleur moins forte et lorsque des durées prolongées de brûlage sont requises. Vous déterminerez les meilleurs réglages pour votre usage personnel au fur et à mesure que vous vous familiariserez avec votre poêle.

Le poêle est chaud pendant son fonctionnement. Eloignez les enfants et ne gardez pas de vêtements ou de meubles à proximité. Ne stockez pas de combustible à l'intérieur des dégagements énumérés précédemment.

5.4 Rodage du poêle

Un poêle de fonte doit être «rodé» graduellement. Cinq petits feux seront allumés consécutivement avant d'utiliser le poêle en continu. Chaque feu sera un peu plus conséquent que le précédent et le dernier sera d'importance normale. Laissez le poêle refroidir complètement entre les feux.

Une certaine odeur et même de la fumée sont normales pendant les quelques premiers feux. Ceci est dû au traitement de la peinture soumise à une température élevée ; l'odeur devrait diminuer avec chaque feu et éventuellement disparaître. Une fenêtre ou porte ouverte à proximité du poêle produira un supplément d'aération et aidera à diminuer l'odeur.

5.5 Préparation d'un feu

Un feu bien préparé utilisera efficacement votre combustible, conservera la vitre propre, les émissions et la créosote au minimum, demandera moins de travail et ses réactions seront extrêmement faciles à prévoir.

Bonne fondation

Assurez-vous que la poignée de commande d'air primaire est bien poussée intégralement vers la droite et que le tisonnier de la commande de mise en marche est en position ouverte (tiré intégralement vers l'extérieur). Ouvrez la porte du devant et couvrez le fond du poêle de papier journal chiffonné serré. Entrecroisez une généreuse double poignée de bûchettes sèches - des morceaux de bois de retaille fendu par exemple, par-dessus le papier. Si vous ne disposez pas de bois de retaille, fendez-en vous-même dans du bois sec, en bâtonnets d'un doigt d'épaisseur environ et servez-vous en comme de bûchettes. Placez alors quatre morceaux de 2-1/2 à 5 cm de bois sec fendu sur le dessus des bûchettes.

Allumez uniformément le papier tout au long de l'avant du poêle et fermez la porte.

Continuez à ajouter des morceaux de 2-1/2 à 5 cm de bois sec fendu jusqu'à ce qu'un lit de braises incandescentes ait bien pris.

Vous pouvez maintenant ajouter trois ou quatre morceaux de bois - petite à moyenne dimension, que vous laisserez brûler plusieurs minutes. Dès que vous êtes convaincu que ce bois brûle bien, fermez l'admission d'air de mise en marche (tisonnier intégralement enfoncé) et réglez la commande d'air primaire au niveau de sortie de chaleur désiré et pour maintenir des températures de fonctionnement sûres et sans danger. Un déplacement vers la droite augmente la chaleur ; vers la gauche, il la diminue. Évitez d'employer le poêle si la commande d'air est complètement fermée.

CANADA

Lorsqu'un feu meurt, cela est probablement dû à un lit de braises insuffisant, lequel diminue l'admission d'air trop rapidement ou à l'usage d'un bois trop épais ou insuffisamment séché.

5.6 Rechargement

Rechargez le poêle encore chaud et dont les braises restantes suffisent à enflammer la nouvelle charge de combustible. Il sera bon d'insérer un morceau ou deux de bois plus petits à la base de la nouvelle charge pour aider le poêle à récupérer plus rapidement sa température de fonctionnement.

Méthode de rechargement

- Portez toujours des gants lorsque vous prenez soin de votre poêle.
- Poussez la commande d'air à droite, en position ouverte intégrale.
- Attendez quelques secondes avant d'ouvrir la porte.
- Employez une pelle à poêle ou un outil similaire pour briser les restes de charbon de bois et pour attirer quelques braises vers l'avant du poêle par lequel entre l'air de combustion.
- Chargez le combustible (morceaux plus petits d'abord).
- Fermez la porte.
- Attendez 5 à 10 minutes puis réglez la commande d'air au niveau désiré.

Avis : Si le lit de charbon de bois présent au moment de recharger est relativement profond (5 à 7 1/2 cm) et si votre bois est bien sec, le moment est venu d'ajouter une nouvelle charge de combustible, de fermer la porte, de régler à nouveau la commande d'air au taux désiré de sortie de chaleur - tout cela en 5 minutes seulement.

5.7 Vue sur le feu porte ouverte

Attention : Ce poêle doit fonctionner soit porte ouverte avec un pare-étincelles soit porte complètement fermée. Si la porte reste partiellement ouverte, il y a un risque de surchauffe.

Il y a également un risque d'échappement des gaz et des flammes hors de l'appareil, pouvant entraîner un incendie ou l'asphyxie. N'oubliez pas que le fonctionnement porte ouverte risque d'entraîner l'émanation de monoxyde de carbone suivant les carburants (par exemple le charbon) le monoxyde de carbone est extrêmement dangereux. Assurez-vous que le poêle et la pièce bénéficient d'une bonne ventilation.

5.8 Retrait des cendres

Le retrait des cendres est requis chaque jour ou deux pendant une saison de fonctionnement normal ; il est bien plus facile à effectuer lorsque le bois brûlé est calciné en charbons.

Avec une pelle, poussez tout d'abord les braises chaudes d'un côté ou de l'autre. Ramassez à la pelle les cendres exposées et repoussez les braises chaudes de l'autre côté. Enlevez également les cendres de ce côté puis étalez uniformément les braises chaudes à travers la boîte à feu. Vous pouvez maintenant ajouter du nouveau bois pour commencer un nouveau feu.

Lorsque vous enlevez les cendres d'un poêle en fonctionnement, fermez et loquetez la porte avant de sortir les cendres à l'extérieur pour en disposer sans danger. Le port de gants protecteurs épais est toujours une bonne idée tandis que vous enlevez et disposez des cendres de votre poêle.

Les cendres devraient être placées dans un contenant de métal avec couvercle bien serré, uniquement réservé à cet effet et que vous conserverez à l'extérieur, bien éloigné de tous les matériaux combustibles, jusqu'à ce que vous puissiez en disposer définitivement. Si votre intention est d'enfouir les cendres dans le sol ou de les dispenser, conservez-les dans le contenant bien fermé jusqu'à ce que toutes les escarbilles soient éteintes et aient eu le temps de refroidir.

Une porte de poêle restant ouverte pourra causer de dangereuses conditions de surchauffe qui risqueraient d'endommager l'appareil, de rendre la garantie nulle et non avenue ou de causer un incendie.

Mise en garde : N'employez votre poêle Jøtul F 602 USA que lorsque la porte est absolument fermée et n'ouvrez celle-ci que pour recharger le poêle ou enlever les cendres. Une porte partiellement ouverte risque de causer une surchauffe.

6.0 Entretien

6.1 Nettoyage du panneau de verre

Nettoyez, de temps à autre, la cendre fine accumulée sur la surface intérieure du panneau de verre étant donné qu'elle risquerait, en demeurant attachée trop longtemps sur le panneau de verre, de le rayer sans remède au point de le brouiller. La créosote éventuellement déposée sur le panneau de verre sera éliminée en brûlant pendant le prochain grand feu.

Ne nettoyez jamais le verre encore chaud et n'utilisez jamais de nettoyant abrasif. De l'eau fraîche et un chiffon doux ou une serviette de papier suffisent habituellement. Rincez à fond à l'eau fraîche après le lavage et séchez complètement avant de vous servir à nouveau de votre poêle.

6.2 Remplacement du verre

Si une vitre de poêle se fêle ou se brise, vous devez la remplacer avant de pouvoir utiliser le poêle de nouveau. Enlevez soigneusement tout morceau de verre brisé. Ne remplacez le panneau qu'avec un panneau de verre Jøtul identique sans possibilité de substitut.

Le verre peut être remplacé sans démonter la porte du poêle ou vous pouvez démonter celle-ci et la poser sur une surface plate.

- Nettoyez la porte de tout résidu de joint au moyen d'une brosse métallique, si nécessaire.
- Le joint sera auto-adhésif. Mesurez une longueur de joint suffisante pour entourer la vitre - depuis le coin supérieur de droite, au long du côté droit et du bord inférieur puis en remontant vers le coin supérieur de gauche plus 5 cm environ. Vous remarquerez que le côté supérieur de la vitre ne requiert pas de joint. La petite quantité d'air qui pénétrera par cet endroit aidera à conserver la vitre propre.
- Pelez environ 25 cm de revêtement protecteur du collant auto-adhésif. Prévoyez environ 3 cm de joint pour chevauchement puis insérez le joint dans la rainure de la porte en vous assurant que le côté adhésif est dirigé vers la porte. Pressez le joint fermement en position; continuez à peler l'adhésif et à appliquer le joint jusqu'à ce qu'il vous reste un court morceau lorsque vous atteindrez le coin supérieur de gauche. Pressez alors le joint fermement en position.
- Centrez le panneau de verre de remplacement en le déplaçant de gauche à droite sur le joint. Glissez la vitre vers le bas de la porte jusqu'à ce qu'elle se bloque, maintenez le verre en position d'une main tandis que vous passez les morceaux de chevauchement par dessus le côté supérieur du verre et au long des bords extérieurs. Il vous faudra tordre le joint de sorte que l'adhésif soit dirigé vers le verre. Pressez ces morceaux fermement en position sur le verre.
- Remplacez la glissière de la commande d'air, les pattes de fixation supérieures et les vis.

Il est extrêmement important que les pattes soient serrées un peu à la fois et qu'elles imitent le serrage des goujons d'une roue d'automobile. Elles seront toutes aussi serrées les unes que les autres, sans forcer. Veillez à ce que le panneau de verre demeure centré dans l'ouverture et qu'il ne glisse pas vers le bas. Il pourra s'avérer nécessaire de serrer à nouveau lorsque le poêle aura fonctionné et lorsque le joint se sera placé définitivement en position.

6.3 Généralités

Une fois par an, au moins, soumettez votre système à un entretien de routine. Le meilleur moment pour cela est lorsque vous nettoyez la cheminée et le raccord. Ce nettoyage devrait être effectué chaque fois que l'accumulation de créosote et de suie atteint 0.6 cm d'épaisseur, ceci pouvant se produire plusieurs fois par an selon le fonctionnement de l'appareil.

1. Nettoyez à fond le poêle tout entier. Brossez toutes les cendres et la suie du poêle pour les éliminer. Il est préférable de broser les cendres et la suie plutôt que de les nettoyer à l'aspirateur à cause de particules de suie si fines qu'elles peuvent passer à travers la plupart des sacs d'aspirateur.
2. Servez-vous d'une forte lampe dans une pièce sombre pour inspecter l'intérieur et l'extérieur du poêle afin de déceler les fêlures et fuites possibles des coins et des joints. Les parties fêlées seront remplacées ; les fuites de joints pourront être bouchées avec du ciment pour poêle.

6.4 Les joints

Vérifiez si la porte et les joints de fenêtre sont parfaitement étanches. Pour vérifier le joint de porte avant, introduisez à demi un dollar dans le poêle, fermez la porte, loquetez-la puis tentez de retirer le dollar sans le déchirer. S'il s'enlève facilement, le joint n'est pas assez serré. Vérifiez plusieurs endroits autour de la porte. Pour remplacer l'ancien joint défectueux, grattez toute trace du matériau de joint et de ciment. Étalez un cordon de ciment pour poêle d'1/8 po.(0.3 cm) au fond de la rainure et pressez le nouveau joint pardessus.

La porte requiert environ 91-1/2 cm de joint pour poêle, en fibre de verre d'0.6 cm, haute densité. Ce joint s'use très peu entre le panneau de verre et la porte. La meilleure preuve de la nécessité d'un remplacement est l'apparition de stries sur le verre, causées par les fuites d'air autour du joint.

CANADA

7.0 Garantie limitée de Jøtul sur les appareils de chauffage au bois

En vigueur depuis le 1er février 2010

Cette garantie s'applique aux poêles et foyers à bois identifiés par les marques de commerce Jøtul et Scan, tel qu'établi ci-dessous.

A. Composants en fonte, en émail et en acier :

Jøtul North America Inc. (JØTUL) garantit à l'acheteur initial que les composants susmentionnés pour poêles ou foyers Jøtul ou Scan sont exempts de défauts de matériaux et de fabrication pour une période de cinq (5) ans à compter de la date d'achat. Cette garantie est assujettie aux conditions, exclusions et limitations ci-dessous.

B. Composants électriques (ventilateurs, interrupteurs thermostatiques) :

JØTUL garantit à l'acheteur initial que les composants susmentionnés pour poêles ou foyers Jøtul ou Scan sont exempts de défauts de matériaux et de fabrication pour une période d'un (1) an à compter de la date d'achat. Cette garantie est assujettie aux conditions, exclusions et limitations ci-dessous :

JØTUL réparera ou remplacera (incluant les défauts de matériaux et de fabrication), à son choix, tout composant susmentionné que JØTUL jugera couvert par cette garantie. Le client doit, et ce à ses propres frais, faire expédier ou livrer le composant défectueux à un détaillant autorisé Jøtul ou Scan, et s'occuper du retour ou de la cueillette du composant réparé. Si, lors de l'inspection, JØTUL détermine que le composant est couvert par cette garantie, la réparation ou le remplacement sera effectué tel que spécifié ci-dessus. Cette garantie n'est pas transférable et s'applique seulement à l'acheteur initial du poêle ou foyer Jøtul ou Scan. Ce paragraphe établit le seul recours offert en vertu de la présente garantie, en cas de défaillance quelconque d'un poêle ou foyer Jøtul ou Scan.

La période de garantie pour tout composant remplacé sera la portion résiduelle de la période de garantie non expirée du composant initial.

Veuillez conserver toute facture et/ou reçu daté dans vos dossiers, comme preuve d'achat.

Limites et exclusions

Avis : Cette garantie sera annulée si l'installation ou le service après installation n'est pas assuré par un installateur ou service d'entretien autorisé, ou si l'installation n'est pas conforme aux instructions d'installation et d'utilisation fournies dans le présent manuel d'utilisation, ou aux règlements locaux et/ou nationaux des codes du bâtiment et de la sécurité-incendie. Une liste des installateurs, services d'entretien et fournisseurs de gaz autorisés est donnée par le National Fireplace Institute à l'adresse suivante : <http://www.nficertified.org/>.

Cette garantie ne couvre pas les dommages et frais suivants :

1. La réparation ou le remplacement des pièces dont l'usure est normale durant la période de garantie, ou des pièces qui doivent être remplacées dans le cadre d'un entretien normal. Ces pièces incluent la peinture, les joints d'étanchéité, les plaques de combustion, les déflecteurs, les manifolds d'air, les briques réfractaires, les porte-bûches et la vitre (la vitre est garantie uniquement contre les bris thermiques).
2. Tout dommage causé par une installation incorrecte, c'est-à-dire non conforme aux instructions du présent manuel d'utilisation ou aux règlements locaux et/ou nationaux des codes du bâtiment et de la sécurité-incendie.
3. Tout dommage, incluant les dommages aux surfaces en émail, causé par une utilisation inadéquate, une surchauffe et/ou un emploi abusif. Une utilisation inadéquate, p. ex. faire chauffer le poêle avec la porte à cendres ouverte, peut endommager le poêle. Une surchauffe survient lorsqu'un pièce quelconque du poêle rougeoie. Une surchauffe peut aussi être identifiée par l'un des signes suivants : les plaques se déforment (tordent), la fonte présente des signes de rouille, les pigments de peinture prennent une couleur blanc poudre, le fini émaillé montre des signes de craquelure et de décoloration. Un emploi abusif inclut, entre autres, une utilisation non conforme aux instructions d'utilisation du présent manuel d'utilisation.
4. Tout dommage dû aux services effectués par un installateur ou un service d'entretien, sauf si cela est autorisé par écrit par JØTUL.
5. Dommages dus à une modification, utilisation ou réparation non approuvée.
6. Les frais dus au temps de voyage et/ou la perte de service.
7. Les frais de main-d'œuvre et autre frais liés à la réparation de composants en dehors des périodes de garantie susmentionnées.
8. Les dommages encourus pendant la période de transit du poêle ou foyer Jøtul ou Scan.

EN AUCUN CAS JØTUL, SA SOCIÉTÉ MÈRE, SES ACTIONNAIRES, AFFILIÉS, MEMBRES, EMPLOYÉS, AGENTS OU REPRÉSENTANTS, NE POURRONT ÊTRE TENUS RESPONSABLES ENVERS LE CLIENT POUR TOUT DOMMAGE SPÉCIAL, INDIRECT, ACCESSOIRE, CONSÉQUENT, DOMMAGE-INTÉRÊT OU AUTRE DOMMAGE SIMILAIRE, INCLUANT (ENTRE AUTRES) LA PERTE DE PROFITS OU DE VENTES, LES BLESSURES OU DOMMAGES MATÉRIELS, OU LES DOMMAGES À UNE STRUCTURE OU À SON CONTENU, SURVENANT EN VERTU D'UN ARTICLE DE LOI QUELCONQUE. TOUTES GARANTIES IMPLICITES, INCLUANT LES GARANTIES IMPLICITES DE QUALITÉ MARCHANDE ET D'APTITUDE COMMERCIALE, EN VERTU DE LA PRÉSENTE GARANTIE (OU AUTRE), SONT LIMITÉES EN DURÉE À LA DURÉE DE CETTE GARANTIE ÉCRITE. SAUF SI EXPRESSÉMENT ÉTABLI DANS LA PRÉSENTE GARANTIE, JØTUL NE FAIT AUCUNE AUTRE GARANTIE ORALE, ÉCRITE OU AUTRE, SUR LES POÊLES OU FOYERS JØTUL OU SCAN.

Certains États ne permettent aucune limite ou exclusion aux dommages indirects ou consécutifs, ou aucune limite de durée des garanties implicites. Donc, les limites ou exclusions ci-dessus peuvent ne pas s'appliquer à vous. Cette garantie vous donne des droits légaux spécifiques, et vous pourriez avoir d'autres droits, qui peuvent varier d'un État à l'autre.

JØTUL se réserve le droit de discontinuer, modifier ou changer les matériaux utilisés pour produire le poêle ou foyer Jøtul ou Scan. JØTUL a le droit de remplacer tout composant défectueux par des composants de substitution que JØTUL juge être de qualité et prix essentiellement égaux.

La valeur monétaire maximale que peut déboursier JØTUL, en cas de bris de la présente garantie, est limitée exclusivement au coût pour fournir un composant de remplacement. JØTUL ne pourra en aucun cas être tenue responsable des frais de main-d'œuvre encourus par d'autres en rapport avec un composant défectueux quelconque. Tout frais ou dépense au-delà de ceux expressément assumés par JØTUL en vertu de la présente garantie, sera sous la responsabilité exclusive du(des) propriétaire(s) du poêle ou foyer Jøtul ou Scan.

Aucun détaillant, distributeur ou autre personne n'est autorisée à modifier, prolonger ou augmenter les dispositions de cette garantie limitée au nom de JØTUL. **AUCUN CHANGEMENT OU MODIFICATION À CETTE GARANTIE NE SERA VALIDE SAUF SI CELA EST STIPULÉ PAR UN DOCUMENT ÉCRIT ET SIGNÉ À LA MAIN PAR UN REPRÉSENTANT AUTORISÉ DE JØTUL.**

Un installateur autorisé peut avoir reçu certains renseignements particuliers liés au poêle ou foyer Jøtul ou Scan; cependant, aucun installateur autorisé ou autre personne pouvant avoir entretenu cet appareil n'est considéré comme un agent de JØTUL. Aucune inférence ne peut être faite à l'effet que JØTUL a testé, certifié ou déclaré une personne comme étant qualifiée pour installer ou réparer l'appareil. JØTUL ne peut être tenue responsable

d'aucune façon, de quelque erreur ou omission par une personne installant ou réparant un poêle ou foyer Jøtul ou Scan.

Si vous croyez que votre poêle ou foyer Jøtul ou Scan est défectueux, vous devez contacter votre détaillant autorisé Jøtul ou Scan le plus près de chez vous, lequel préparera une réclamation de garantie. **POUR VALIDER LA COUVERTURE DE GARANTIE, JØTUL DOIT RECEVOIR UN AVIS DE DÉFAUT POSSIBLE, ET CE DANS UN DÉLAI DE SOIXANTE (60) JOURS À COMPTER DE LA DATE À LAQUELLE CE DÉFAUT A ÉTÉ DÉCOUVERT POUR LA PREMIÈRE FOIS, OU AURAIT RAISONNABLEMENT PU AVOIR ÉTÉ DÉCOUVERT.**

Cette garantie est établie par Jøtul North America, Inc., 55 Hutcherson Drive, Gorham, Maine 04038 USA

Jøtul F 602 Woodstove Clearances

Stove clearances Top vent/vertical	Unprotected surfaces			Protected surfaces (NFPA 211)		
	Side	Rear	Corner	Side	Rear	Corner
Single wall pipe W/out rear heatshield	21" 535mm	13.5" 345mm	13" 330mm	13" 330mm	11" 280mm	9" 230mm
Single wall pipe With rear heatshield	21" 535mm	11" 280mm	11" 280mm	13" 330mm	11" 280mm	9" 230mm
Shielded single wall pipe With rear heatshield	21" 535mm	9" 230mm	9" 230mm	13" 330mm	8" 205mm	8" 205mm
Double wall pipe With rear heatshield	24" 610mm	9" 230mm	9" 230mm	13" 300mm	8" 205mm	8" 205mm
Double wall pipe W/out rear heatshield	24" 610mm	15" 380mm	15" 380mm	12" 305mm	8" 205mm	8" 205mm

Connector (pipe)	Unprotected surface Vertical installation	Protected surface (NFPA 211) Vertical installation	clearances
Single wall pipe	18" 460mm	6" 150mm	
Double wall pipe	pipe mfggr.listing	pipe mfggr.listing	

Connector (pipe)	Unprotected surface Horizontal installation	Protected surface (NFPA 211) Horizontal installation	clearances
Single wall pipe	18" 460mm	9" 230mm	
Double wall pipe	pipe mfggr.listing	pipe mfggr.listing	

Minimum alcove dimensions:

	Unprotected surface Vertical venting. Assumes top exit:	Protected surface (NFPA 211) Vertical venting Assumes top exit:
Minimum alcove width	55" (1400mm)	41" (1040 mm)
Maximum alcove depth	48" (1220mm)	48" (1220 mm)
Height above the top of the stove	71" (1805mm)	71" (1805 mm)

Fig. 1

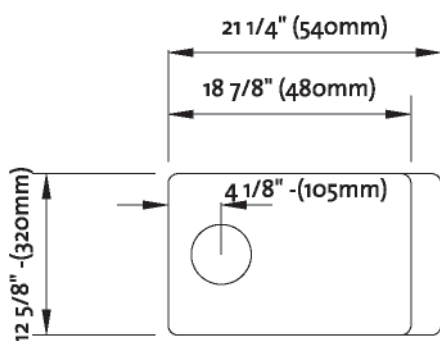
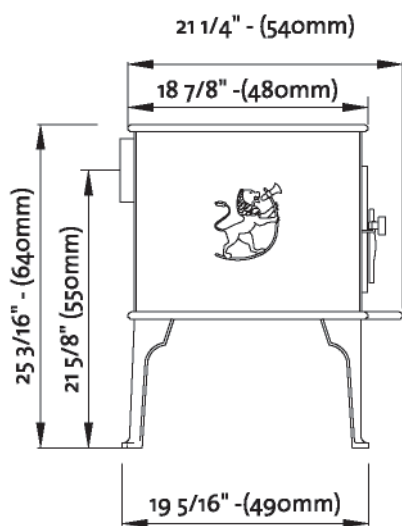
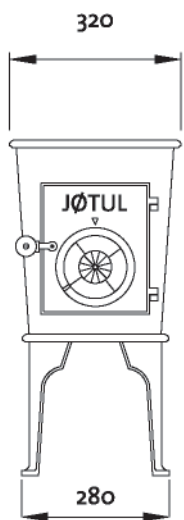


Fig. 2

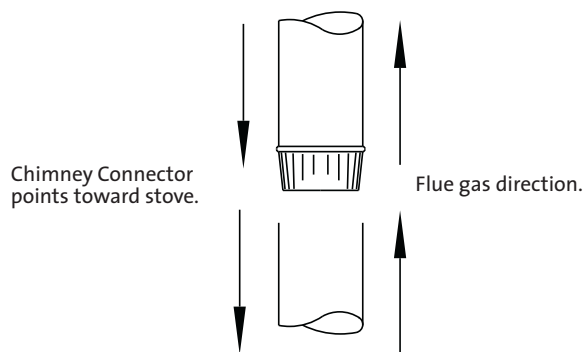


Fig. 3

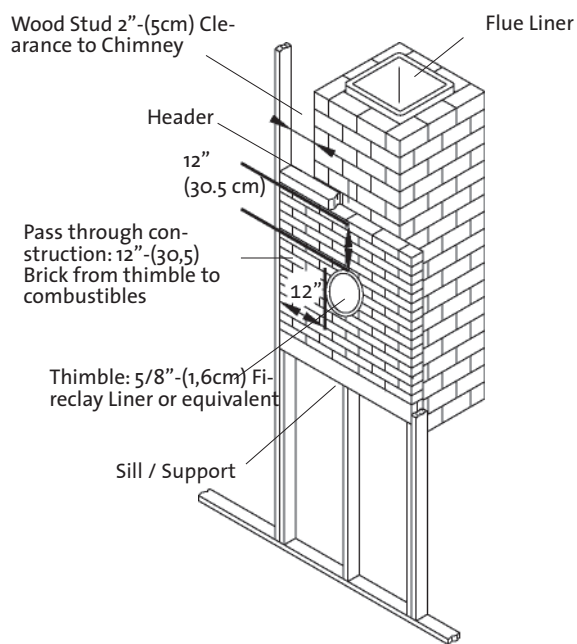
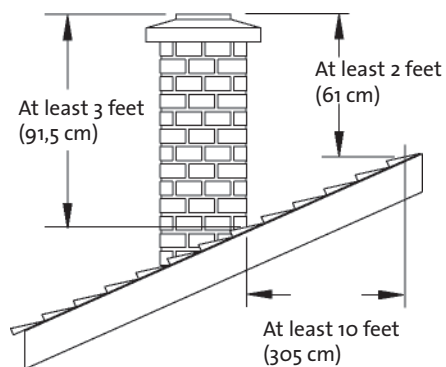


Fig. 4



(Measurements in cm - for Canada)

Fig. 5

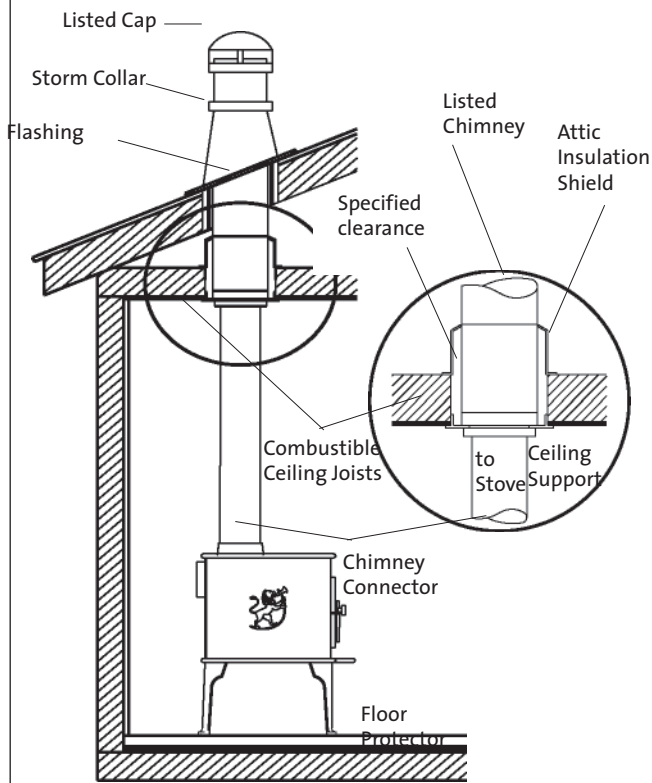
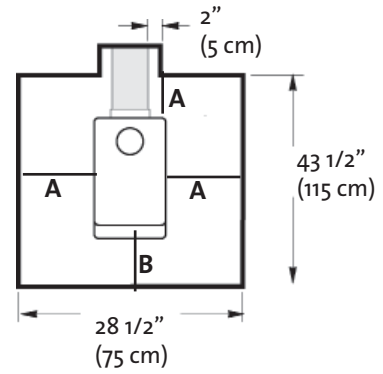


Fig. 7

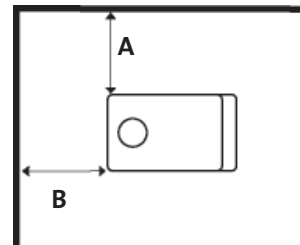
Hearth protection



A: 8" (20 cm)
B: 16" (46 cm)

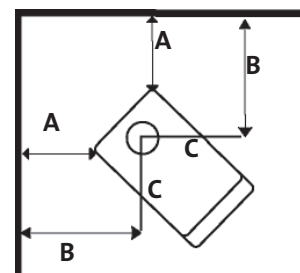
Clearance to Adjacent Combustible

Fig. 8



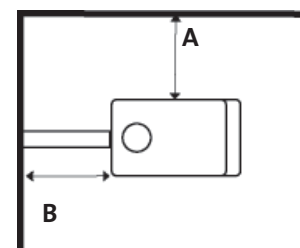
A: 21" (53,5cm)
B: 13,5" (34,5 cm)

Fig. 9



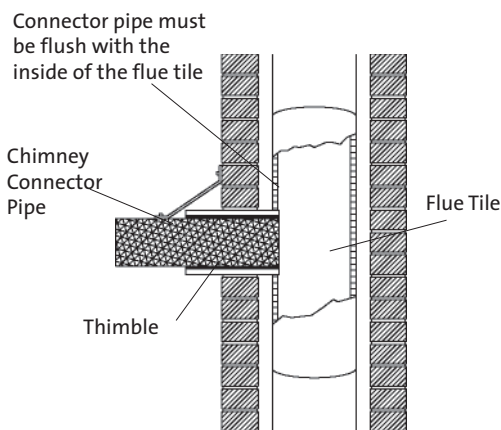
A: 13" (33,5 cm)
B: 20 1/4" (51,5cm)

Fig. 10



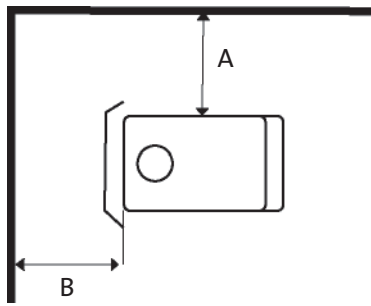
A: 24" (61 cm)
B: 19" (48,3cm)

Fig. 6



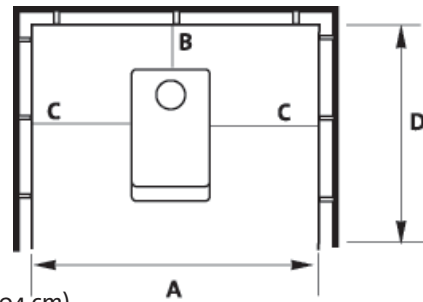
(Measurements in cm - for Canada)

Fig. 11 **Rear Heat Shield to reduce clearance**
Single wall pipe, top exit only



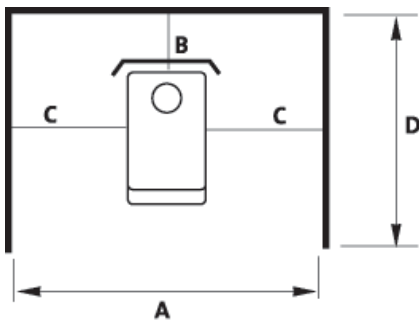
A: 21" - (53,5 cm)
B: 11" - (28 cm)

Fig. 14 **Alcove - double wall pipe and wall protection**



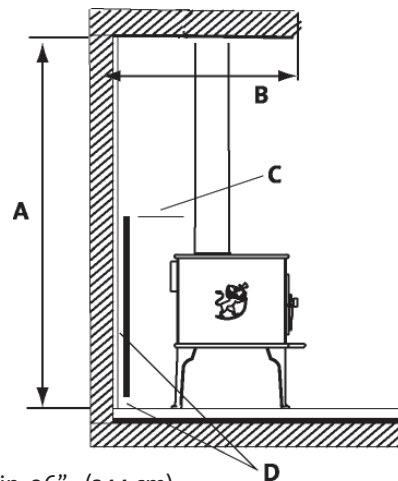
A: 41" - (104 cm)
B: 8" - (20,5cm)
C: 14" - (36 cm)
D: 48" - (122 cm)

Fig. 12 **Alcove Installation**
Double wall pipe and stove heat shield



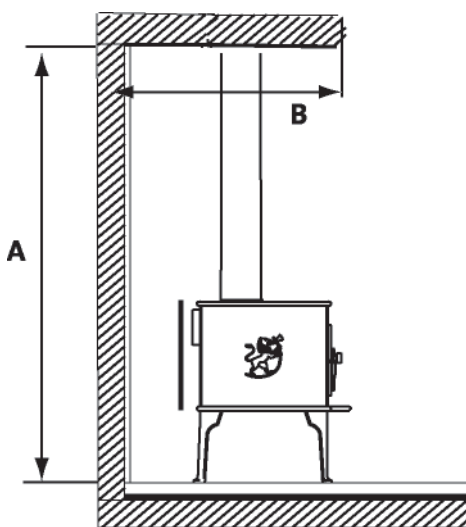
A: 55" - (140 cm)
B: 15" - (39,5 cm)
C: 21" - (53,5 cm)
D: 48" - (122 cm)

Fig. 15 **Alcove with wall protection**



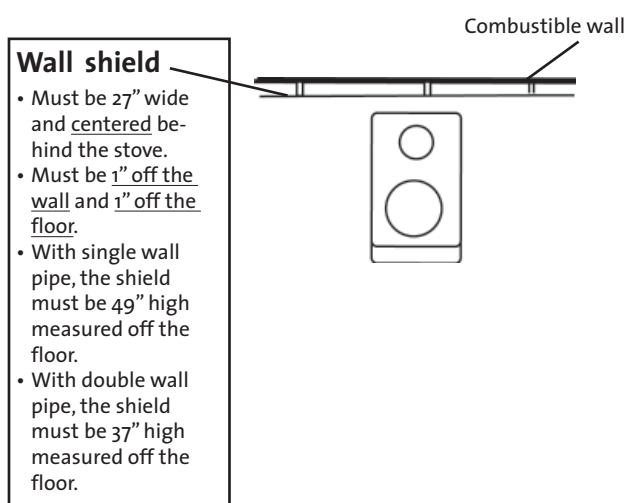
A: Min. 96" - (244 cm)
B: Max. 48" - (122 cm)
C: Min. 41" - (104 cm)
D: 1" - (2,5 cm)

Fig.13 **Alcove with rear heatshield**



A: Min. 96" - (244 cm)
B: Max. 24" - (61 cm)

Fig. 16 **Parallel installation with wall shield**



(Measurements in cm - for Canada)

Fig. 17 Parallel installation in a corner with wall shield

- Wall shield**
- Must be 1" off the wall and 1" off the floor.
 - With single wall pipe, the shield must be 49" high measured off the floor.
 - With double wall pipe, the shield must be 37" high measured off the floor.
 - Both shields **MUST** extend and join in the corner.

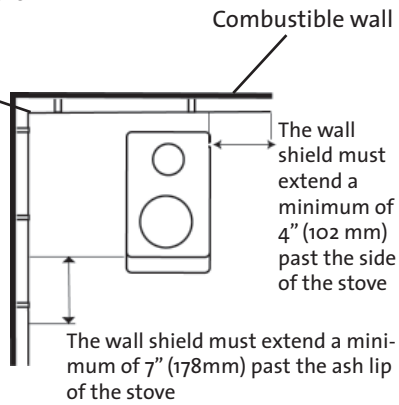
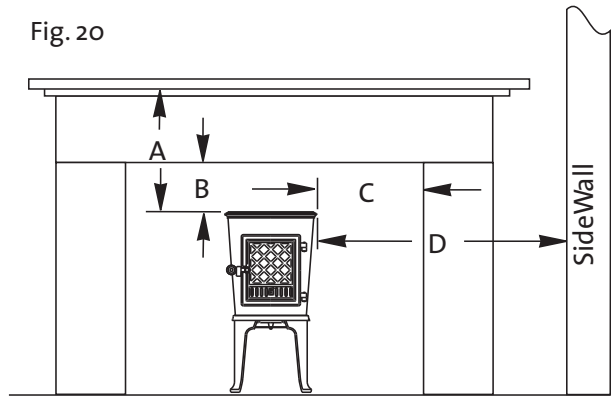


Fig. 20



- | | |
|-----------------------------|------------------|
| A: Unit to 8" Wide Mantel - | 30 in. (76 cm) |
| B: Unit to Top Trim - | 21 in. (53.5 cm) |
| C: Unit to Side Trim - | 18 in. (46 cm) |
| D: Unit to Side Wall - | 24 in. (61 cm) |

Fig. 18 Corner installation with wall shield

- Wall shield**
- Must be 1" off the wall and 1" off the floor.
 - With single wall pipe, the shield must be 49".
 - With the double wall pipe, the shield must be 37" high.
 - Both shields **MUST** extend and join in the corner.

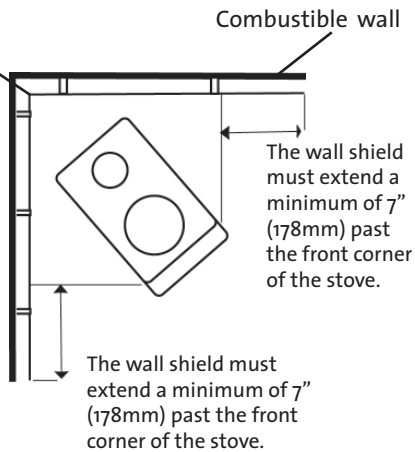
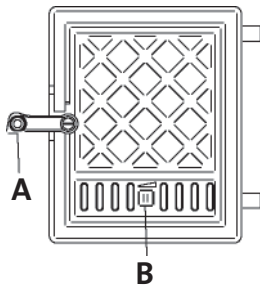
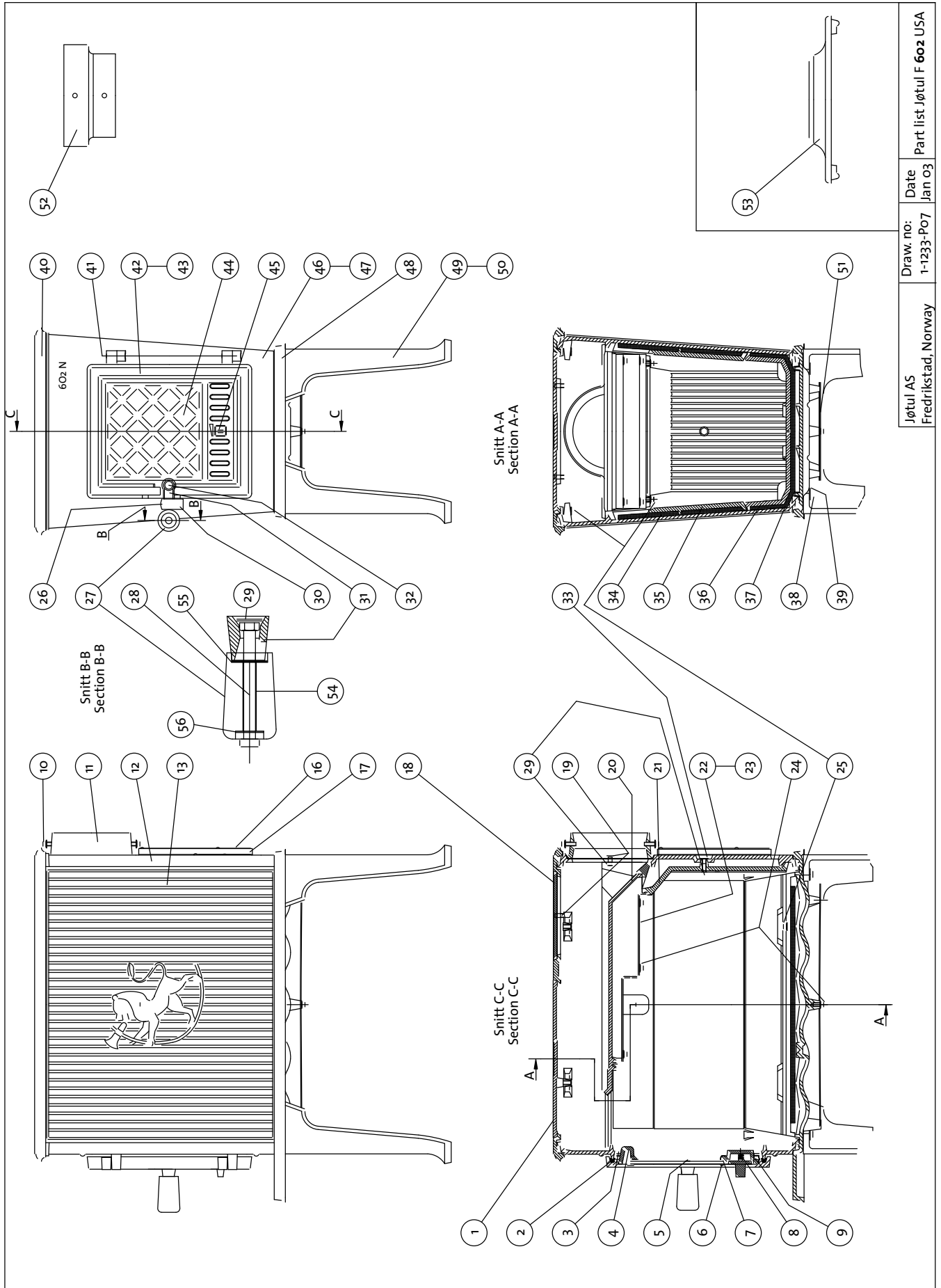


Fig. 19



- A: Lift to open
- B: Left - closed, Right - open

(Measurements in cm - for Canada)



Jøtul AS Fredrikstad, Norway	Draw. no: 1-1233-P07	Date Jan 03	Part list Jøtul F 602 USA
---------------------------------	-------------------------	----------------	---------------------------

Partlist Jøtul F 602 USA

Pos	Description	Dim./Spec.
1	Hot plate	240 mm
2	Gasket	LD 360 Ø8.7x850
3	Screw, panhead	M6x12 DIN 7985
4	Air deflector	
5	Nut	M8
6	Gasket	LD 187-1 Ø4.8x600
7	Gasket	V-125 8x150
8	Spring for glass-door	Ø7.6x13
9	Door vent baffle	
10	Screw, self thread	M6 x 16
11	Flue outlet	
12	Back plate	
13	Side panel	
14	Rivet	Ø3x12
15	Rivet	Ø2,4x4
16	Label	
17	Label shield	
18	Cover for smoke outlet	
19	Countersunk screw	M6x16
20	Baffle plate	
21	Air manifold	
22	Air chamber, complete	
23	Air chamber	
24	Screw, collar head	M6x10
25	Screw, collar head	M6x25
26	Rivet	Ø8x16 mm
27	Knob, wood	
28	Screw, filister head	M6x70
29	Nut w/ collar	M6
30	Door catch	
31	Door handle	
32	Screw, cylinder head	M6x30 DIN 84 S.krom.
33	screw, collar head	M 6x35
34	Insulating blanket	360x185
35	Burnplate, side, with insulation	
36	Burnplate, bottom	
37	Insulating blanket	360x330
38	Screw, hex	M6x25
39	Washer	Ø18x06,4x1.6
40	Top plate	
41	Pin, door	
42	Glass door, complete incl. handle	
44	Glass, ceramic	4x147x154
45	Air slide vent	
46	Front plate, complete	
47	Front plate	
48	Base plate	
49	Legs, package of four	
50	Leg, 1 pcs	
51	Heatshield - bottom	
52	Increaser	Ø 126xØ154 mm
53	Decorative top	
54	Casing	
55	Washer	
56	Washer, black crom.	

Appendix A:

Alternate floor protection

All floor protection materials must be non-combustible (ie. Metal, brick, stone, mineral fiber boards). Any combustible material may not be used.

The easiest means of determining if a proposed alternate floor material meets requirements listed in this manual is to follow this procedure.

R-value = thermal resistance

K-value = thermal conductivity

C-value = thermal conductance

- Convert the specification to r-value;
 - If r-value is given, no conversion is needed.
 - If k-value is given with a required thickness (t) in inches: $R=1/k \times T$.
 - If c-value is given: $R=1/C$.
- Determine the r-value of the proposed alternate floor protector.
 - Use the formula in step 1 to convert values not expressed as "R".
 - For multiple layers, add r-values of each layer to determine overall r-value.
- If the overall R-value of the system is greater than the R-value of the specified floor protector, the alternate is acceptable.

Example:

The specified floor protector should be 3/4" thick material with a k-factor of 0.84. The proposed alternate is 4" brick with a c-factor of 1.25 over 1/8" mineral board with a k-factor of 0.29.

Step A. Use formula above to convert specifications to R-value. $R=1/k \times t = 1/.84 \times .75 = .893$

Step B. Calculate r of proposed system.

4" brick of c-1.25, therefore

$R \text{ brick} = 1/c = 1/1.25 = 0.80$

1/8" mineral board of K = 0.29 therefore

$R \text{ mineral board} = 1/.29 \times 0.125 = 0.431$

Total R = R brick + R mineral board = 0.8 + 0.431 = 1.231

Step C. Compare proposed system R = 1.231 to specified R of 0.893. Since R is greater than required, the system is acceptable.

Definitions:

Thermal conductance =

$$C = \frac{\text{btu}}{(\text{Hr})(\text{ft}^2)(\text{f})} = \frac{\text{W}}{(\text{m}^2)(\text{k})}$$

Thermal conductivity =

$$K = \frac{\text{btu}}{(\text{Hr})(\text{ft}^2)(\text{f})} = \frac{\text{W}}{(\text{m}^2)(\text{k})} = \frac{(\text{btu})}{(\text{hr})(\text{ft})(\text{f})}$$

Thermal resistance =

$$R = \frac{\text{btu}}{(\text{Hr})(\text{ft}^2)(\text{f})} = \frac{(\text{m}^2)(\text{k})}{\text{W}} = \frac{(\text{btu})(\text{inch})}{(\text{hr})(\text{ft}^2)(\text{f})}$$

Sluttkontroll av ildsteder

Quality control of stoves and fireplaces

Checked

Utført	Kontrollpunkt	Controlled item
✓	Alle deler er med i produktet (ifølge struktur).	All parts are included.
✓	Alle festemidler er av korrekt type, og er korrekt anvendt.	Correct fastener items have been used and correctly applied.
✓	Overflater er i samsvar med Jøtuls kvalitetsstandarder.	Surfaces comply with Jøtul workmanship standards.
✓	Lukkemekanismer fungerer som de skal, og uten behov for unødig stor kraft.	Door locking mechanisms function correctly; excessive force is not needed.
✓	Produktet/serien møter kravet for lekkasjetest.	The product/lot complies with the leakage test requirement.
✓	Lakkerte/emaljerte overflater møter kravene i Jøtuls kvalitetsstandarder.	Paint/enamel surface finish complies with Jøtul workmanship standards.
✓	Produktet er fritt for utvendig kitt- eller limklin.	Surfaces are not contaminated by external stove cement or glue.
✓	Produktet har ingen sprekker i glass, støpejern eller andre deler.	There are no cracks in glass, cast iron or other parts.
✓	Pakninger er riktig lagt, og skjemmer ikke produktet ved stygge ender eller ved at pakningen er unødig synlig.	Gaskets are correctly applied and do not degrade product appearance (i.e. loose ends or excessive visible exposure).
✓	Dørpakninger er godt limt.	Door gaskets are firmly glued/fixed to the door.
✓	Dørpakninger har tilfredsstillende pakningstrykk.	Door gaskets provide satisfactory sealing.
✓	Sjekk at det ikke "lyser gjennom" i dørpakning eller andre sammenføyninger.	Check for "light through" at door seals and other relevant locations.
✓	Trekkehendler osv fungerer normalt.	The function of air valve handle etc is normal.

Jøtul bekrefter herved at dette produktet er kontrollert og funnet å være i samsvar med våre kvalitetsnormer.	Jøtul hereby confirm that this product has been QC inspected and found to comply with our quality standards.
Lot. No. / Serie nr. - Checked by / kontrollert av	

Cat.no. 10031544 (128765)
Draw.no. 4-3436-P09
Jøtul AS, March. 2011

Jøtul maintains a policy of constant product development. Products supplied may therefore differ in specification, colour and type of accessories from those illustrated and described in this manual.

Jøtul vise sans cesse à améliorer ses produits. C'est pourquoi, il se réserve le droit de modifier les spécifications, couleurs et équipements sans avis préalable.

Quality

Jøtul AS has a quality system that conforms to NS-EN ISO 9001 for product development, manufacturing, and distribution of stoves and fireplaces. This policy gives our customers quality and safety piece of mind as a result of Jøtul's vast experience dating back to when the company first started in 1853.

We appreciate your trust in welcoming our product into your home and invite your comment and appraisal of our efforts to provide you with the finest in home hearth products.

Qualité

Le système de contrôle de la qualité de Jøtul AS est conforme à la norme NS-EN ISO 9001 relative à la conception, à la fabrication et à la distribution de poêles, foyers et inserts. Cette politique nous permet d'offrir à nos clients une qualité et une sécurité reposant sur la vaste expérience accumulée par Jøtul depuis sa création en 1853.

Jøtul North America Inc.
55 Hutcherson Drive
Gorham, Maine 04038
USA

Jøtul AS,
P.o. box 1411
N-1 Fredrikstad,
Norway

