



PORTRAIT



Models 530ILN/ILP (logs), 530ICN/ICP (coals), 530IRN/IRP (rocks) Direct Vent Gas Fireplace Heater Installation & Operating Instructions

WARNING



HOT GLASS WILL CAUSE BURNS.
DO NOT TOUCH GLASS UNTIL COOLED.
NEVER ALLOW CHILDREN TO TOUCH GLASS.

This manual contains instructions to install the **ENGINE ONLY**. A front trim kit is **REQUIRED** to install the engine as it affects the framing cavity and position of the engine. **Refer to the manual supplied with the front for framing and finishing.**

WARNING: If the information in these instructions is not followed exactly, a fire or explosion may result causing property damage, personal injury or loss of life.

INSTALLER: Leave this manual with the appliance.
CONSUMER: Retain this manual for future reference.

Do not store or use gasoline or other flammable vapors and liquids in the vicinity of this or any other appliance.

Please read this manual **BEFORE** installing and operating this appliance.

WHAT TO DO IF YOU SMELL GAS

- Do not try to light the appliance.
- Do not touch any electrical switch; do not use any phone in your building.
- Immediately call your gas supplier from a neighbor's phone. Follow the gas supplier's instructions.
- If you cannot reach your gas supplier, call the fire department.

This appliance may be installed in an after-market permanently located, manufactured (mobile) home where not prohibited by local codes.

This appliance is only for use with the type of gas indicated on the rating plate. This appliance is not convertible for use with other gases, unless a certified kit is used.

Installation and service must be performed by a qualified installer, service agency or the gas supplier.

Massachusetts: The piping and final gas connection must be performed by a licensed plumber or gas fitter in the State of Massachusetts. Also, see Carbon Monoxide Detector requirements under "Safety and Warning Information" on page 5.

This appliance is suitable for installation in a bedroom or bed sitting room.

Manufactured by
MILES INDUSTRIES LTD., British Columbia, Canada
www.valorfireplaces.com



Thank You ...

For purchasing a Valor by Miles Industries. Your new radiant gas heater is a technical appliance that must be installed by a qualified dealer. Each Valor is fully tested during the production process for your safety and comfort.


Your unit has been professionally installed by:

Dealer Name _____

Phone Number _____

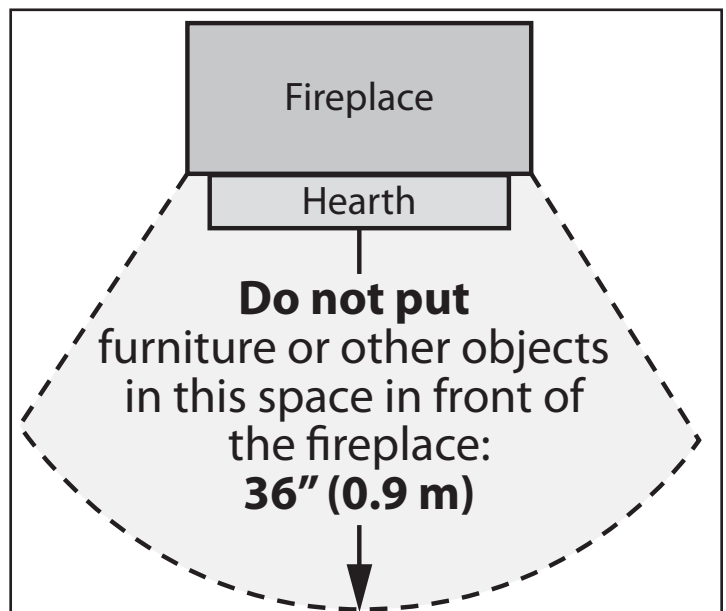
Should you encounter an operational problem, call your dealer immediately. Do not try to repair the unit as you may cause an injury or damage the fireplace.

The information contained in this installation manual is believed to be correct at the time of printing. Miles Industries Ltd. reserves the right to change or modify any information or specifications without notice. Miles Industries Ltd. grants no warranty, implied or stated, for the installation or maintenance of your heater, and assumes no responsibility for any consequential damage(s).



NATIONAL FIREPLACE INSTITUTE
NFI
ADVOCATE

We recommend that our gas hearth products be installed and serviced by professionals who are certified in the United States by NFI (National Fireplace Institute®).



Designed and Manufactured by
Miles Industries Ltd.

190 – 2255 Dollarton Highway, North Vancouver, BC, CANADA V7H 3B1

Tel. 604-984-3496 Fax 604-984-0246

www.valorfireplaces.com

© Copyright Miles Industries Ltd., 2011

Table of Contents

Safety and Warning Information	4
Specifications	7
Dimensions, Clearance and Framing	8
Horizontal Termination Locations.....	9
Horizontal Termination Venting Configurations	10
Horizontal Termination Installations.....	12
Vertical Termination Venting Configurations.....	13
Vertical Termination Installations	15
Appliance Preparation	16
◇ Air Restrictors Installation.....	19
Gas Supply Installation.....	20
Aeration Setting Check.....	21
Ceramic Walls Installation (logs and coals only)	21
Ceramic Logs Installation.....	22
Ceramic Coals Installation.....	23
Ceramic Rocks Installation.....	24
Window Refitting and Checking.....	26
Remote Control Initial Set-up.....	26
Operation Checks.....	27
Remote Control Handset Wall Holder Installation	27
Owner’s Information.....	28
Remote Control Operation.....	30
Options	33
Lighting Instructions.....	34
Wiring Diagram.....	35
Approved Venting Components.....	36
Warranty	38
◇ Replacement Parts	39

◇ = Updated content

Safety and Warning Information

READ and **UNDERSTAND** all instructions carefully before starting the installation. **FAILURE TO FOLLOW** these installation instructions may result in possible fire hazard and will void the warranty.

Prior to the first firing of the fireplace, **READ** the Owner's Information section of this manual.

DO NOT USE this appliance if any part has been under water. Immediately, **CALL** a qualified service technician to inspect the unit and to replace any part of the control system and any gas control that has been under water.

THIS UNIT IS NOT FOR USE WITH SOLID FUEL.

Installation and repair should be **PERFORMED** by a qualified service person. The appliance and venting system should be **INSPECTED** before initial use and at least annually by a professional service person. More frequent cleaning may be required due to excessive lint from carpeting, bedding, etc. It is **IMPERATIVE** that the unit's control compartment, burner, and circulating air passageways **BE KEPT CLEAN** to provide for adequate combustion and ventilation air.

Always **KEEP** the appliance clear and free from combustible materials, gasoline, and other flammable vapors and liquids.

NEVER OBSTRUCT the flow of combustion and ventilation air. Keep the front of the appliance **CLEAR** of all obstacles and materials for servicing and proper operation.

Due to the high temperature, the appliance should be **LOCATED** out of traffic areas and away from furniture and draperies. Clothing or flammable material **SHOULD NOT BE PLACED** on or near the appliance.

Children and adults should be **ALERTED** to the hazards of high surface temperature and should **STAY AWAY** to avoid burns or clothing ignition.

YOUNG CHILDREN should be **CAREFULLY SUPERVISED** when they are in the same room as the appliance. Toddlers, young children and others may be susceptible to **ACCIDENTAL CONTACT BURNS**. A physical barrier is recommended if there are at risk individuals in the house. To restrict access to a fireplace or stove, **INSTALL AN ADJUSTABLE SAFETY GATE** to keep toddlers, young children and other at risk individuals out of the room and away from hot surfaces.

This unit **MUST** be used with a vent system as described in this installation manual. **NO OTHER** vent system or components **MAY BE USED**.

This gas fireplace and vent assembly **MUST** be vented directly to the outside and **MUST NEVER** be attached to a chimney serving a separate solid fuel burning appliance. Each gas appliance **MUST USE** a separate vent system. Common vent systems are **PROHIBITED**.

INSPECT the external vent cap on a regular basis to make sure that no debris, plants, trees, shrubs are interfering with the air flow.

The glass door assembly **MUST** be in place and sealed before the unit can be placed into safe operation.

DO NOT OPERATE this appliance with the glass door removed, cracked, or broken. Replacement of the glass door should be performed by a licensed or qualified service person. **DO NOT** strike or slam the glass door.

The glass door assembly **SHALL ONLY** be replaced as a complete unit, as supplied by the fireplace manufacturer. **NO SUBSTITUTE** material may be used.

DO NOT USE abrasive cleaners on the glass door assembly. **DO NOT ATTEMPT** to clean the glass door when it is hot.

TURN OFF the gas before servicing this appliance. It is recommended that a qualified service technician perform an appliance check-up at the beginning of each heating season.

Any safety screen or guard removed for servicing **MUST BE REPLACED** before operating this appliance.

DO NOT place furniture or any other combustible household objects within 36" of the fireplace front.

BE CAREFUL not to put any decorating objects sensitive to heat to close above or around the fireplace as it gets very hot when operating.

DO NOT use this heater as a temporary source of heat during construction.

This appliance is a **DOMESTIC ROOM-HEATING APPLIANCE**. It must not be used for any other purposes such as drying clothes, etc.

Safety and Warning Information

Operating Your Fireplace for the First Time.

When operating your new fireplace for the first time, some vapors may be released due to the burning of curing compounds used in the manufacture of the appliance. They may cause a slight odor and could cause the flames to be the full height of the firebox, or even slightly higher, for the first few hours of operation. It is also possible that these vapors could set off any smoke detection alarms in the immediate vicinity. These vapors are quite normal on new appliances. We recommend opening a window to vent the room. After a few hours use, the vapors will have disappeared and the flames will be at their normal height.

State of California. Proposition 65 Warning.

Fuels used in gas, wood-burning or oil fired appliances, and the products of combustion of such fuels, contain chemicals known to the State of California to cause cancer, birth defects and other reproductive harm. California Health & Safety Code Sec. 25249.6.

State of Massachusetts Carbon Monoxide Detector/Vent Terminal Signage Requirements

For all side wall horizontally vented gas fueled equipment installed in every dwelling, building or structure used in whole or in part for residential purposes, including those owned or operated by the Commonwealth and where the side wall exhaust vent termination is less than seven (7) feet above finished grade in the area of the venting, including but not limited to decks and porches, the following requirements shall be satisfied:

1. **INSTALLATION OF CARBON MONOXIDE DETECTORS.** At the time of installation of the side wall horizontal vented gas fueled equipment, the installing plumber or gas fitter shall observe that a hard wired carbon monoxide detector with an alarm and battery back-up is installed on the floor level where the gas equipment is to be installed. In addition, the installing plumber or gas fitter shall observe that a battery operated or hard wired carbon monoxide detector with an alarm is installed on each additional level of the dwelling, building or structure served by the side wall horizontal vented gas fueled equipment. It shall be the responsibility of the property owner to secure the services of qualified licensed professionals for the installation of hard wired carbon monoxide detectors.

a. In the event that the side wall horizontally vented gas fueled equipment is installed in a crawl space or an attic, the hard wired carbon monoxide detector with alarm and battery back-up may be installed on the next adjacent floor level.

b. In the event that the requirements of this subdivision can not be met at the time of completion of installation, the owner shall have a period of thirty (30) days to comply with the above requirements; provided, however, that during said thirty (30) day period, a battery operated carbon monoxide detector with an alarm shall be installed.

2. APPROVED CARBON MONOXIDE DETECTORS.

Each carbon monoxide detector as required in accordance with the above provisions shall comply with NFPA 720 and be ANSI/UL 2034 listed and IAS certified.

3. **SIGNAGE.** A metal or plastic identification plate shall be permanently mounted to the exterior of the building at a minimum height of eight (8) feet above grade directly in line with the exhaust vent terminal for the horizontally vented gas fueled heating appliance or equipment. The sign shall read, in print size no less than one-half (1/2) inch in size, "GAS VENT DIRECTLY BELOW. KEEP CLEAR OF ALL OBSTRUCTIONS".

4. **INSPECTION.** The state or local gas inspector of the side wall horizontally vented gas fueled equipment shall not approve the installation unless, upon inspection, the inspector observes carbon monoxide detectors and signage installed in accordance with the provisions of 248 CMR 5.08(2)(a)1 through 4.

(b) **EXEMPTIONS:** The following equipment is exempt from 248 CMR 5.08(2)(a)1 through 4:

1. The equipment listed in Chapter 10 entitled "Equipment Not Required To Be Vented" in the most current edition of NFPA 54 as adopted by the Board; and

2. Product Approved side wall horizontally vented gas fueled equipment installed in a room or structure separate from the dwelling, building or structure used in whole or in part for residential purposes.

Safety and Warning Information

(c) MANUFACTURER REQUIREMENTS - GAS EQUIPMENT VENTING SYSTEM PROVIDED.

When the manufacturer of Product Approved side wall horizontally vented gas equipment provides a venting system design or venting system components with the equipment, the instructions provided by the manufacturer for installation of the equipment and the venting system shall include:

1. Detailed instructions for the installation of the venting system design or the venting system components; and
2. A complete parts list for the venting system design or venting system.

(d) MANUFACTURER REQUIREMENTS - GAS EQUIPMENT VENTING SYSTEM NOT PROVIDED.

When the manufacturer of a Product Approved side wall horizontally vented gas fueled equipment does not provide the parts for venting the flue gases, but identifies “special venting systems”, the following requirements shall be satisfied by the manufacturer:

1. The referenced “special venting system” instructions shall be included with the appliance or equipment installation instructions; and
2. The “special venting systems” shall be Product Approved by the Board, and the instructions for that system shall include a parts list and detailed installation instructions.

(e) A copy of all installation instructions for all Product Approved side wall horizontally vented gas fueled equipment, all venting instructions, all parts lists for venting instructions, and/or all venting design instructions shall remain with the appliance or equipment at the completion of the installation.

Specifications

Approvals and Codes

This appliance is certified to ANSI Z21.88–2009/CSA 2.33–2009 American National Standard/CSA Standard for *Vented Gas Fireplace Heaters* for use in Canada and USA.

The appliance complies with CSA P4.1-09, *Testing method for measuring annual fireplace efficiencies*. The installation must conform with local codes or, in the absence of local codes with the *National Fuel Gas Code*, ANSI Z223.1 or the *Natural Gas and Propane Installation Code* CAN/CGA-B149. Only qualified licensed or trained personnel should install the appliance.

The appliance, when installed, must be electrically grounded in accordance with local codes or, in the absence of local codes, with the *National Electrical Code*, ANSI/NFPA 70 or the *Canadian Electrical Code*, CSA C22.1.

Ratings

	NG	LPG
Altitude (Ft)	0-4500 *	
Input Max. (Btu/h)	20,500	19,000
Input Min (Btu/h)	6,500	12,500
Manifold pressure (in.w.c.)	3.5–3.9	10.3–10.7
Min. Supply pressure (in. w.c.)	5	11
Max. Supply pressure (in. w.c.)	10.5	14

*Tested to CGA - 2.17-91 *Gas fired appliances for use at high altitudes*. In USA, installations may require deration over 2000'—Check local codes.

*High Altitude Installations

Input ratings are shown in BTU per hour and are certified without deration for elevations up to 4,500 feet (1,370 m) above sea level.

For elevations above 4,500 feet (1,370 m) in USA, installations must be in accordance with the current ANSI Z223.1 and/or local codes having jurisdiction. Heating value of gas in some areas is reduced to compensate for elevation—consult your local gas utility to confirm.

For installations at elevations above 4,500 feet (1,370 m) in Canada, please consult provincial and/or local authorities having jurisdiction.

Front Trims

Various fronts are available for the 530I engine. This engine may be installed as a free standing, zero clearance or insert application depending on which style front trim is selected. **The front trim style affects the framing cavity, clearances and position of the engine. A front trim kit is required for all applications and should be on site when the engine is installed** as the parts to make the engine suitable for zero clearance are supplied with the front trim kits (except 549 front).

Fuel Beds

The 530I engine is available in either natural gas or propane gas and comes equipped with either a simulated logs, coals, or rocks fuel bed in either fuel.

Venting options

The 530I engine unit is supplied standard with a rear direct vent outlet and may be converted to a top direct vent outlet with no extra parts required—see *Conversion to Top Outlet for Solid Direct Vent Co-axial Piping* in the *Appliance Preparation* section further on in this manual.

Direct Vent Installations (solid piping)

A list of all approved venting accessories is shown on pages 36–37 of this manual.

Direct Vent Co-Linear Installations for Free Standing or Recessed Installations (flexible piping)

Converts the appliance outlet collars to accept two 3-inch diameter flexible liners for installation into existing solid-fuel burning fireplaces and chimneys. Requires a co-linear adapter at the appliance and either a co-linear terminal or co-linear-to-co-axial terminal at the top of the chimney. A list of approved venting accessories is shown on pages 36–37 of this manual.

Specifications

Wall Thickness

The appliance vent is suitable for penetrating a combustible wall up to 14 inches (36 cm) thick. A non-combustible wall can be any thickness up to the maximum horizontal run of vent pipe allowed for the particular installation—see *Horizontal Termination Venting Configurations* section.

Supply Gas

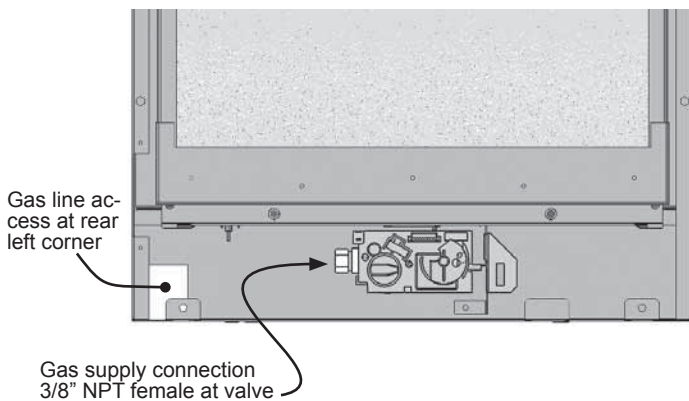
Heater engine 530ILN/ICN/IRN is used for natural gas installations.

Heater engine 530ILP/ICP/IRP is used for propane gas installations.

The supply pressure must be between the limits shown in the *Ratings* table on the previous page.

The supply connection is 3/8 inch NPT female located at the left side of the control valve.

The opening for the gas supply line is at the rear left corner of the appliance.



Controls

The unit is supplied standard with a battery operated, hand-held remote control and receiver which has the ability to light the pilot and adjust the gas input of the unit between the pilot setting and the maximum input. The pilot light may be left on or turned off with each use to save energy. The remote control provides full thermostatic or manual operation with the option of programming thermostat function between certain times of the day. Manual operation of the valve is also possible should the batteries or remote control fail.

Electrical

The unit does not require an electrical power source unless fitted with an optional circulating fan.

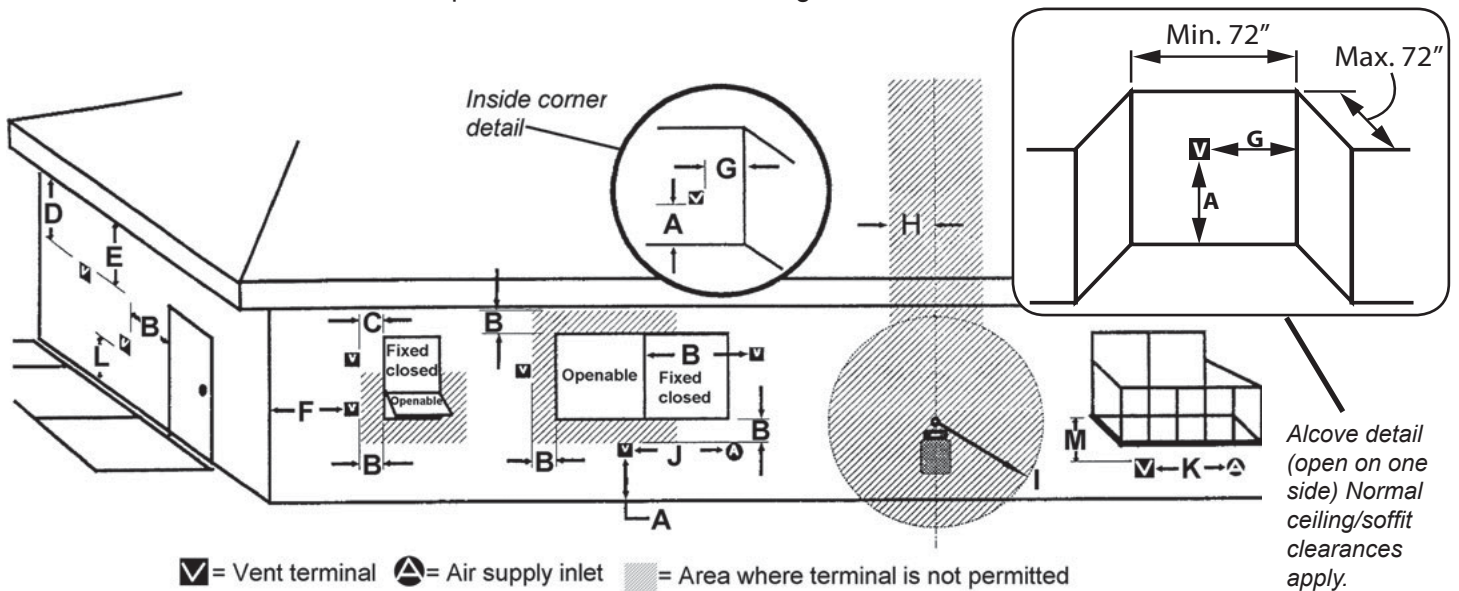
Dimensions, Clearance and Framing

The dimensions, clearances and framing vary with each applications and with the front trim installed. Refer to the installation instructions of the front trim chosen for more information.

Horizontal Termination Locations

- The vent terminal must be located on an outside wall or through the roof.
- This direct vent appliance is designed to operate when an undisturbed airflow hits the outside vent terminal from any direction.
- The minimum clearances from this terminal that must be maintained when located on an outside wall are shown in figure below. Any reduction in these clearances could result in a disruption of the airflow

- or a safety hazard. Local codes or regulations may require greater clearances.
- The vent terminal must not be recessed into a wall or siding.
- The vent terminal should be positioned where any snowdrifts will not cover it.
- 551DVK sidewall vent termination requires the terminal guard 835TG when accessible—within 7' of ground.



KEY	VENT TERMINAL LOCATIONS - MINIMUM DISTANCES	MINIMUM CLEARANCE	
		Inches	Cm
A	Clearance above grade, verandah, porch, deck or balcony	12	30
B	Clearance to window or door that may be opened	12	30
C	Clearance to permanently closed window (recommended to prevent condensation on window)	12	30
D	Vertical clearance to ventilated soffit located above the terminal within a horizontal distance of 2 feet (60 cm) from the center-line of the terminal	18	46
E	Clearance to unventilated soffit	12	30
F	Clearance to outside corner	12	30
G	Clearance to inside corner	12	30
H	Horizontal clearance to center-line of meter/regulator assembly located within 15 feet (4.6 m) below the terminal	36	90
I	Clearance to service regulator vent outlet	36	90
J	Clearance to non-mechanical air supply inlet to the building or the combustion air inlet to any other appliance	12	30
K	Clearance to a mechanical air supply inlet	72	180
L	Clearance above paved sidewalk or a paved driveway located on public property Note: A vent must not terminate directly above a sidewalk or paved driveway, which is located between two single-family dwellings and serves both dwellings	84	210
M	Clearance under a verandah, porch, deck or balcony Only permitted if veranda, porch, deck or balcony is fully open on a minimum of 2 sides beneath the floor	12	30

Note: Local codes and regulations may require different clearances.

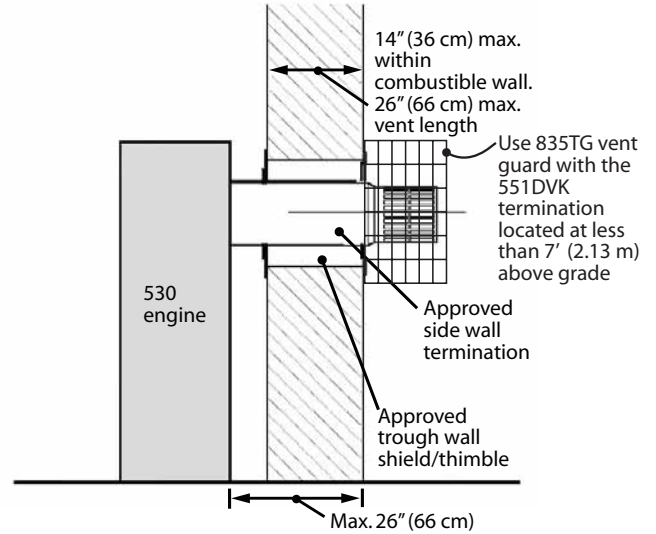
Horizontal Termination Venting Configurations

See venting accessories list on pages 36–37 for allowable components.

Rear Outlet—No Vertical Rise

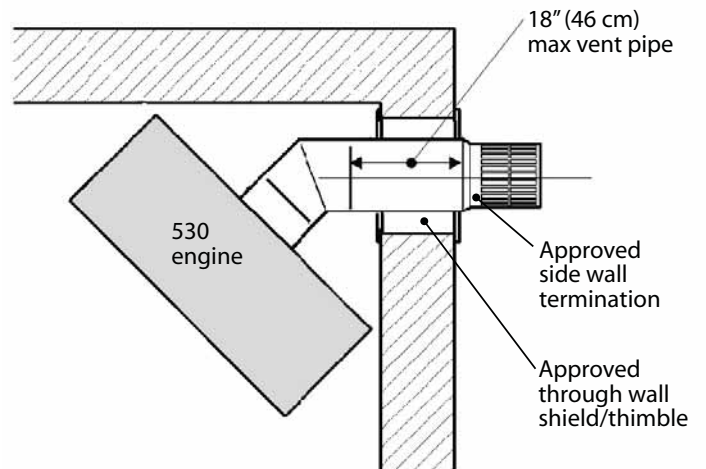
Flat on the Wall

- Maximum 26" horizontal pipe length;
- 817VAK Vent Collar Adapter required if using other than Valor's 551DVK pipe with termination;
- 835TG Terminal Guard is required with 551DVK if terminating within 7'0" of grade or where accessible.



In Corner—No Vertical Rise

- Maximum 1 x 45° elbow allowed;
- Maximum 18" horizontal pipe length;
- 835TG Terminal Guard is required with 551DVK if terminating within 7'0" of grade or where accessible.



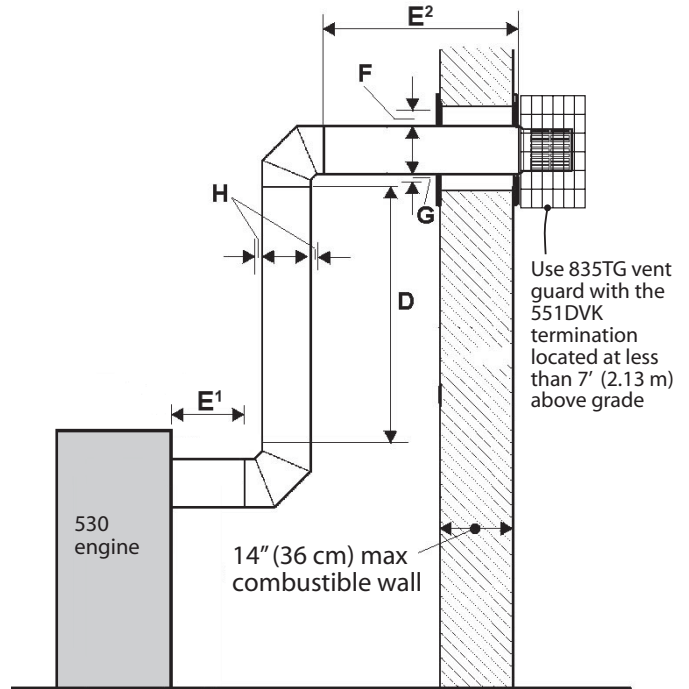
Horizontal Termination Venting Configurations

See venting accessories list on pages 36–37 for allowable components.

Rear Outlet w/Vertical Rise—Horizontal Termination

- 817VAK Vent Collar Adapter required;
- Maximum 2 x 90° elbows allowed (or equivalent: 2 x 45° elbows = 1 x 90° elbow);
- 835TG Terminal guard is required with the 551DVK if terminating within 7'0" of grade or where accessible.

	Minimum	Maximum
D: Vertical pipe run	12" (30 cm)	8' (244 cm)
E: Horizontal pipe run (Total before and after elbows) E ¹ + E ²	-	4'-6" (137 cm)
F: Clearance to combustible materials above horizontal pipe run	2-5/8" (6.7 cm)	-
G: Clearance to combustible materials below horizontal pipe run	1-5/16" (3.3 cm)	-
H: Clearance to combustible materials all round vertical pipe run and at sides of horizontal pipe run	1-5/16" (3.3 cm)	-

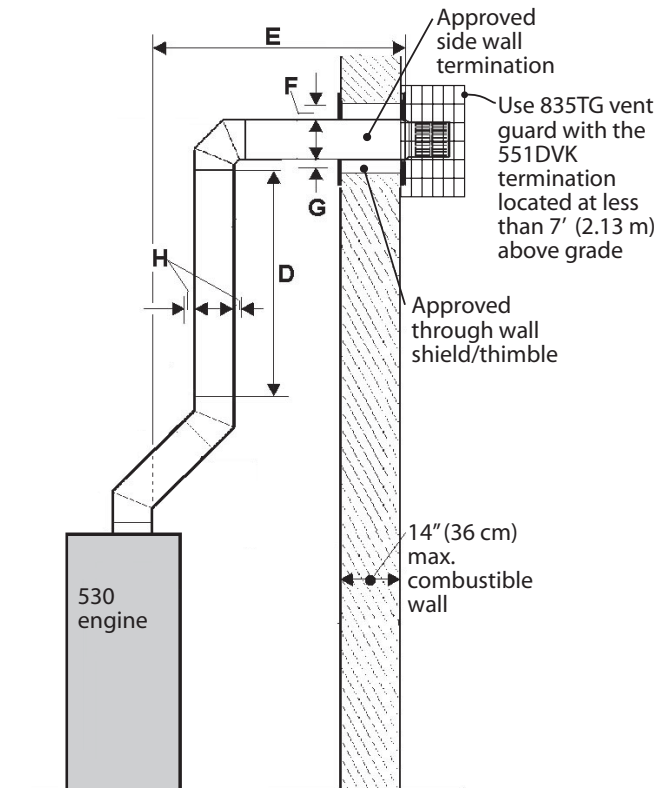


Top Outlet w/Vertical Rise—Horizontal Termination

See *Conversion to Top Outlet for Solid Direct Vent Co-axial Piping in Appliance Preparation* section for conversion to top outlet;

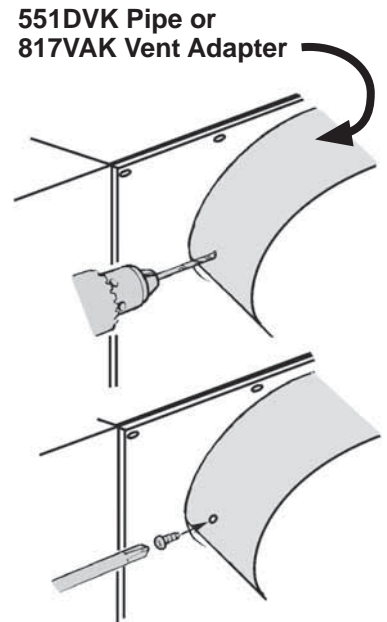
- 817VAK Vent Collar Adapter required;
- Maximum 2 x 90° elbows allowed (or equivalent: 2 x 45° elbows = 1 x 90° elbow);
- 835TG Terminal guard is required with 551DVK if terminating within 7'0" of grade or where accessible.

	Minimum	Maximum
D: Vertical pipe run (total)	9" (23 cm)	8' (244 cm)
E: Horizontal pipe run (Total)	-	4'-6" (137 cm)
F: Clearance to combustible materials above horizontal pipe run	2-5/8" (6.7 cm)	-
G: Clearance to combustible materials below horizontal pipe run	1-5/16" (3.3 cm)	-
H: Clearance to combustible materials all round vertical pipe run and at sides of horizontal pipe run	1-5/16" (3.3 cm)	-



Horizontal Termination Installations

- The 530 heater may be installed using components from a variety of manufacturers listed on pages 36–37.
- Allowable vent configurations and clearances for the 530 heater are listed in this manual and apply for all vent components listed on pages 36–37. For details of component installation, follow instructions packaged with each component.
- The 530 heater is supplied with a smooth 4-by-6-5/8-inch co-axial collar intended to accept the Valor 551DVK Vent Termination with pipe attached. All other applications will require an 817VAK Vent Adapter to convert the collar to a twist-lock type collar. All other manufacturers' components listed (including Valor 551DVK) have designed their components to fit this twist-lock type collar.
- Do not mix components from different manufacturers.
- Do not cut pipe lengths, except the 551DVK which may be cut to desired length. Use adjustable lengths otherwise.



Fix the Vent Unit or 817VAK to Appliance

- Fit the vent unit or 817VAK over the inlet and outlet collars of the appliance, pushing on firmly. If using the 551DVK, ensure that the end of the pipe is cut cleanly and square. Rotate the pipe to ensure that the seam will pass through notch in the wall plates and that the drain hole is at the bottom.
- Drill through the outer tube and the appliance collar with no. 6 screws. *Make sure the drill does not penetrate the inner pipe.*
- Secure the vent unit or 817VAK to the outer collar with two no. 6 thread-cutting screws supplied.

Through the wall details

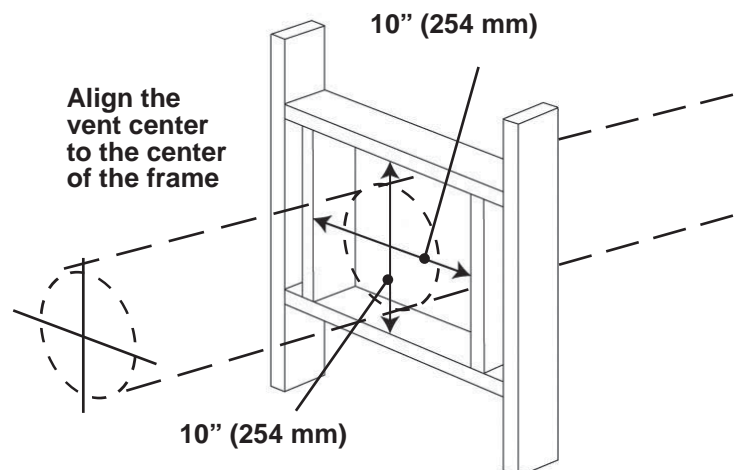
- If the wall has combustible material, appropriate insulation shielding or wall thimble must be used specific to the manufacturer of the venting. In any case, a minimum of 10 x 10 inches square or 10-inch diameter hole is required. If the wall is totally non-combustible (e.g. masonry block or concrete) mark for a 7-inch circular hole. In both cases, the center of the hole should line up with the center line of the horizontal vent.
- See *Horizontal Termination Locations* section for allowable vent terminal locations.
- Avoid structural elements when locating the hole through the wall.

Important Installer Notice – Weather Sealing & Vapor Barriers

It is the installer's responsibility to ensure that vent installations through exterior walls are caulked and weatherproofed in such a manner as to:

- Prevent rain water from entering the wall from the weather side by adequately caulking the outer vent plate to the exterior wall surface.
- Prevent moisture inside the home from penetrating into the wall structure by ensuring the inside wall plate is adequately sealed to the inside vapor barrier.
- Prevent rain water and moisture from entering the walls by sealing the joints between the outer vent tube and the inner and outer wall plates.

We recommend the use of a high quality polyurethane sealant.

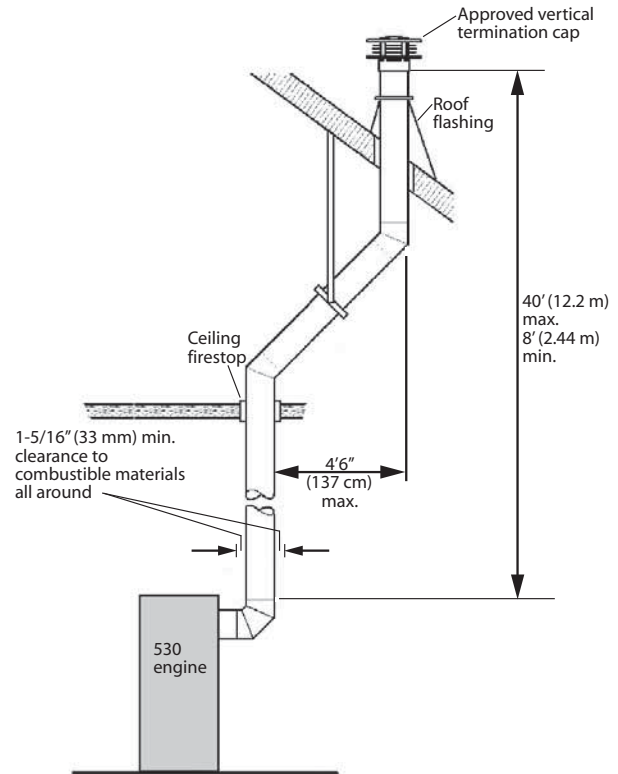


Vertical Termination Venting Configurations

See venting accessories list on pages 36–37 for allowable components.

Rear Outlet through Roof (Co-axial Pipe)

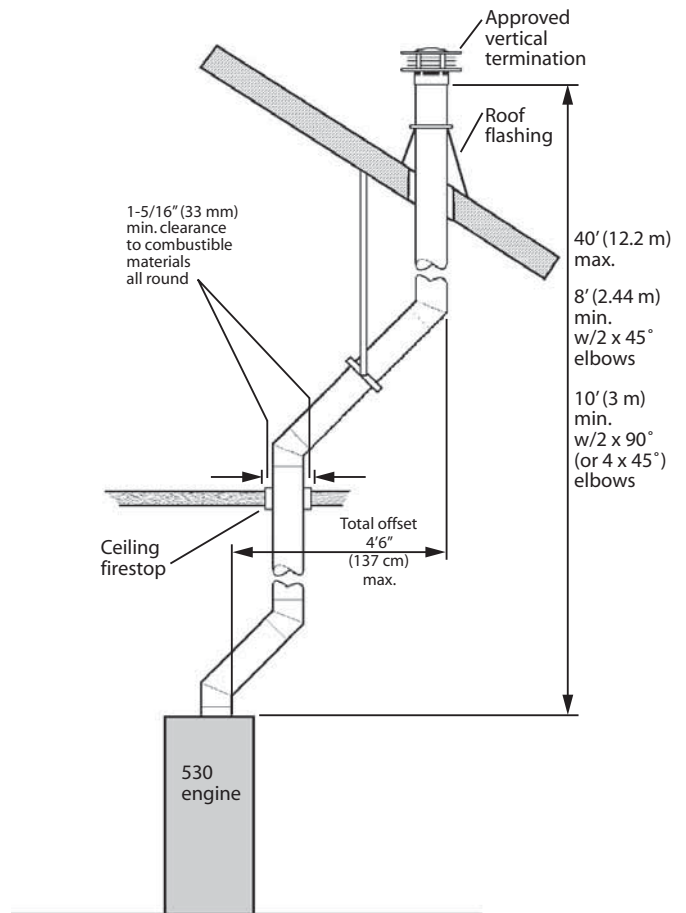
- 817VAK Vent Collar Adapter required;
- Maximum two 45° elbows allowed for offsetting;
- Various other ceiling or roof items may be necessary depending on the particular installation.



Top Outlet through Roof (Co-axial Pipe)

See *Conversion to Top Outlet for Solid Direct Vent Co-axial Piping* in *Appliance Preparation* section for conversion to top outlet.

- 817VAK Vent Collar Adapter required;
- Maximum offset 4'6";
- Maximum two 90° elbows allowed for offsetting (or equivalent: two 45° elbows = one 90° elbow);
- Various other ceiling or roof items may be necessary depending on the particular installation.



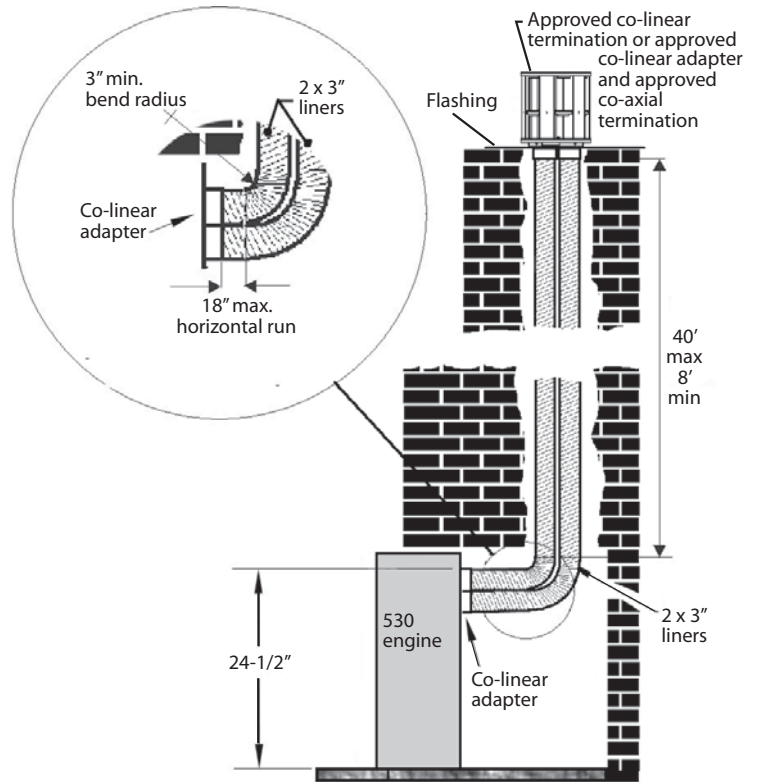
Vertical Termination Venting Configurations

See venting accessories list on pages 36–37 for allowable components.

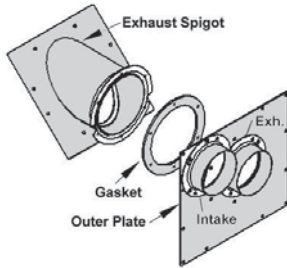
Co-linear Venting into Existing Solid-Fuel Burning Fireplaces and Chimneys

Co-linear adapter may be installed as top or rear outlet—see *Conversion to Top Outlet for Solid Direct Vent Co-axial Piping* in *Appliance Preparation* section for conversion to top outlet.

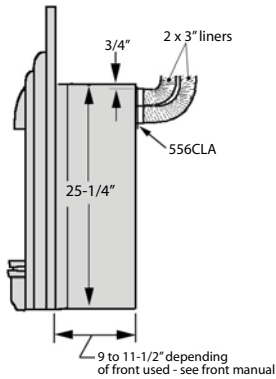
- Co-linear and co-axial venting may be combined in a single venting system provided conversion is done only once using approved components and maintaining proper clearances;
- Three-inch liners may only be installed into solid-fuel burning fireplaces and chimney systems (no combustible construction);
- The appliance must not be connected to a chimney flue serving a separate solid-fuel burning appliance.



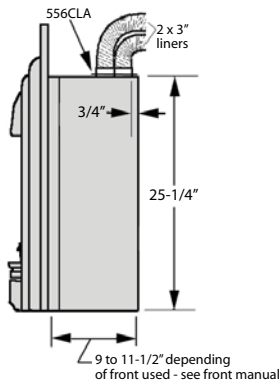
Co-Linear installation into existing F/P



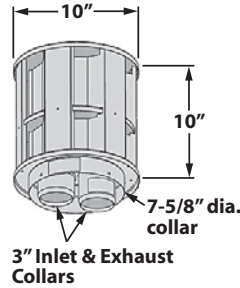
556CLA Kit



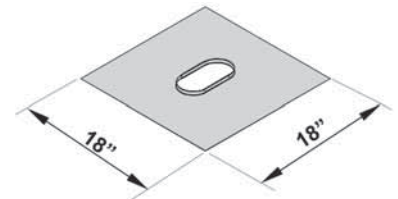
556CLA Rear Mounted



556CLA Top Mounted

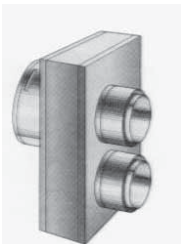


559CLT Co-Linear Terminal

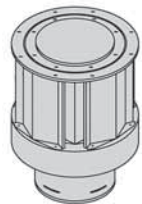


559FSK Flashing Kit

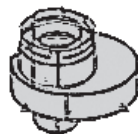
Alternate to 556CLA/559CLT/559FSK Conversion



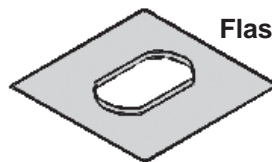
Co-Axial to Co-Linear Adapter



Terminal Cap



Co-Linear to Co-Axial Adapter



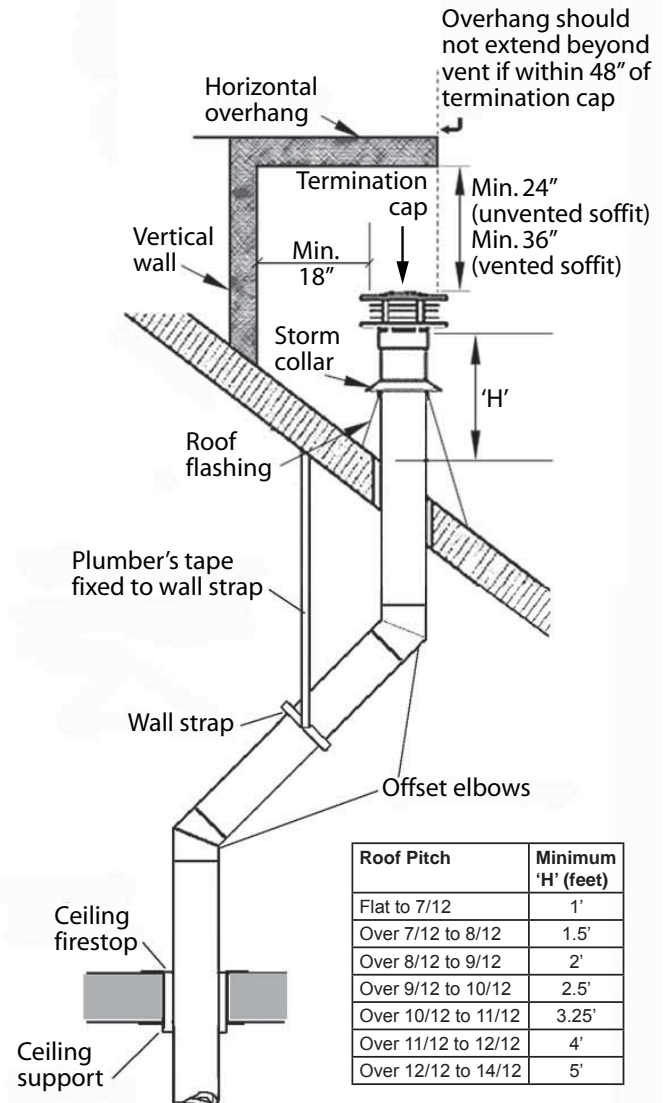
Flashing

Vertical Termination Installations

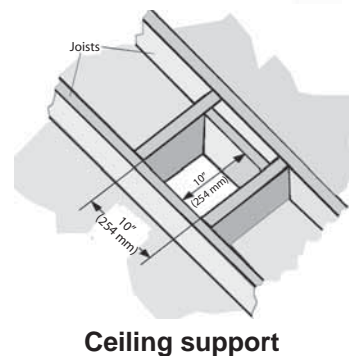
See venting accessories list on pages 36–37 for allowable components.

All Co-axial Vent Installations

- The 530 heater may be installed using components from a variety of manufacturers listed on pages 36–37.
 - Allowable vent configurations and clearances for the 530 heater are listed in this manual and apply for all vent components listed on pages 36–37. For details of component installation, follow instructions packaged with each component.
 - The 530 heater is supplied with a smooth 4 by 6-5/8-inch co-axial collar. All vertical termination applications will require an 817VAK Vent Adapter to convert the collar to a twist-lock type. All other manufacturers' components listed have designed their components to fit the twist-lock type collar.
 - Do not mix components from different manufacturers.
 - Do not cut pipe lengths. Use adjustable lengths. Check the roof pitch to determine which roof flashing will be needed.
 - The minimum clearances to combustible materials all round the vent pipes must be in accordance with the dimensions shown previously in this manual.
1. If using rear vent connection to the appliance, fit a 90 degrees elbow to the appliance vent adapter.
 2. Place the appliance in its proper location.
 3. Drop a plumb from the ceiling to the center of the appliance vent opening. Mark the position on the ceiling. Drill a small hole at the marked position.
 4. Determine the position where the vent will pass through the roof. If directly above the position where it penetrates the ceiling, drop a plumb from the roof to the small hole in the ceiling and mark the roof at this spot. If rafters or other obstructions will prevent a vertical exit or if clear attic space is desired, the roof outlet can be offset using elbows. Drill a small hole at the marked position.
 5. A ceiling firestop must be installed at the second floor and higher floors. A ceiling support should be used below the flat ceiling. To install the firestop and support, cut and frame a 10-inch (254 mm) square hole centered on the small hole previously drilled.
 6. Fit vent accessory elbows and pipe lengths as required up through ceiling support boxes and firestops. If installation includes offset, support the offsetting pipes every 3 feet (0.9 m) with wall straps.
 7. Cut a hole in the roof centered on the small hole. The hole must allow for the minimum clearances to combustible materials
 8. Fit pipe lengths through the roof. Fit roof flashing securing it with roofing nails.
 9. Fit storm collar and termination cap.
 10. FS installations. Secure the appliance to the floor or wall if necessary.



Roof Pitch	Minimum 'H' (feet)
Flat to 7/12	1'
Over 7/12 to 8/12	1.5'
Over 8/12 to 9/12	2'
Over 9/12 to 10/12	2.5'
Over 10/12 to 11/12	3.25'
Over 11/12 to 12/12	4'
Over 12/12 to 14/12	5'



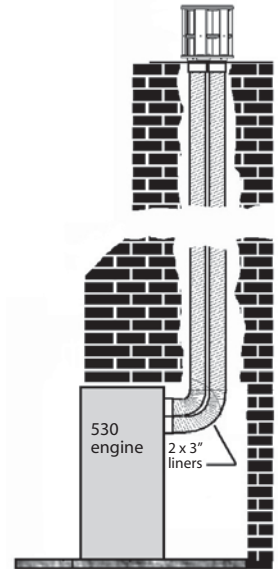
Ceiling support

Vertical Termination Installations

See venting accessories list on pages 36–37 for allowable components.

Co-linear Vent Installations

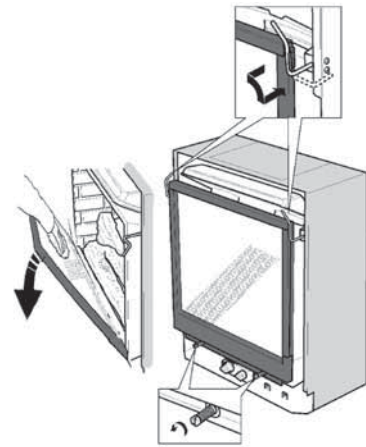
1. The size of the fireplace cavity required to insert the 530 engine varies with the style of front trim chosen. Refer to the front trim installation manual for required dimensions.
2. Place the appliance (fitted with the co-linear adapter) near the fireplace opening but allow space for manipulating the chimney liners on to the appliance.
3. Drop the 3-inch diameter flexible liners into the chimney from outside.
4. Fit the liners to the co-linear adapter paying attention to inlet and exhaust and move the appliance to its proper position. Be aware of the minimum liner bend radius and maximum liner horizontal run as shown on page 14 in this manual.
5. Fit the termination kit and flashing if required to the exterior of the chimney.
6. Secure the appliance to the floor or wall if necessary.



Appliance Preparation

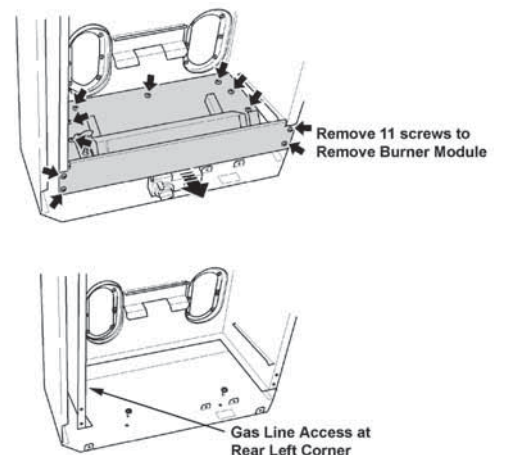
Window Removal

1. Release the top of the window by pulling forward and rotating outwards the two bars at the top corners.
2. Unscrew the two spring-loaded bolts securing the bottom of the window.
3. Carefully lift the window. Keep the window and bolts in a safe place.
4. Remove the packaged ceramic (Bricks/Logs/Coals/Rocks) from firebox.



Burner Module Removal

It may be desirable to remove the burner module to gain access for gas fitting, to install a fan kit, or to fasten the unit to the floor or plinth supplied with the zero clearance fronts.

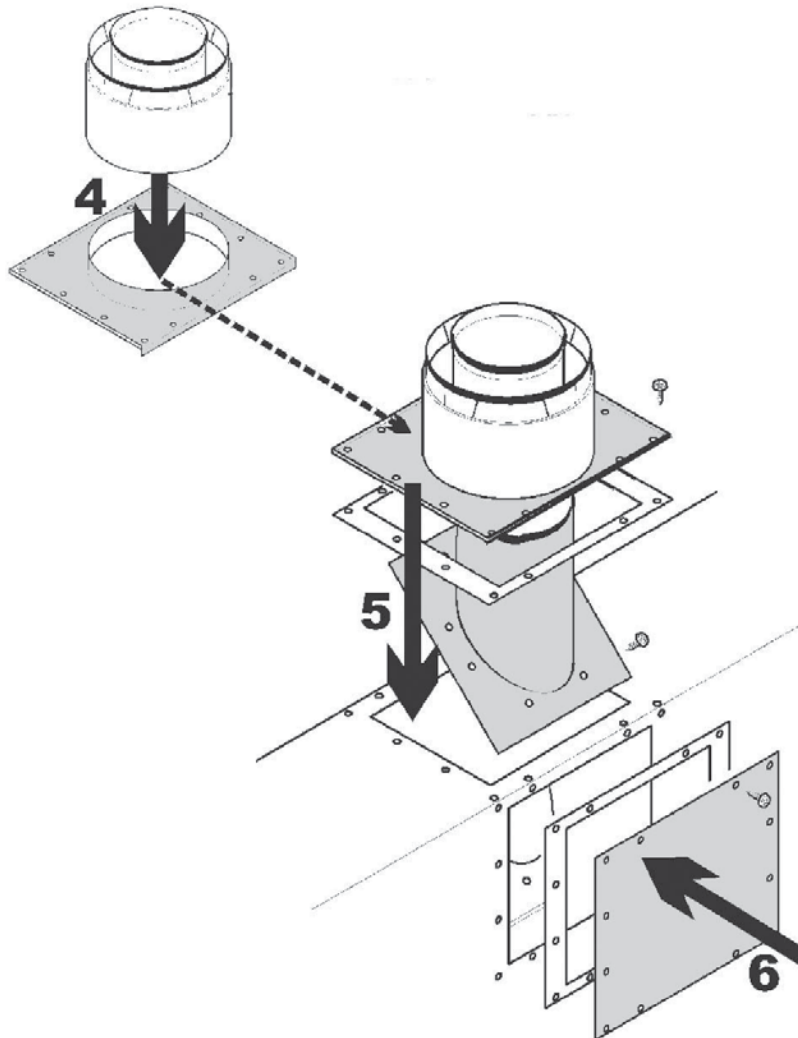
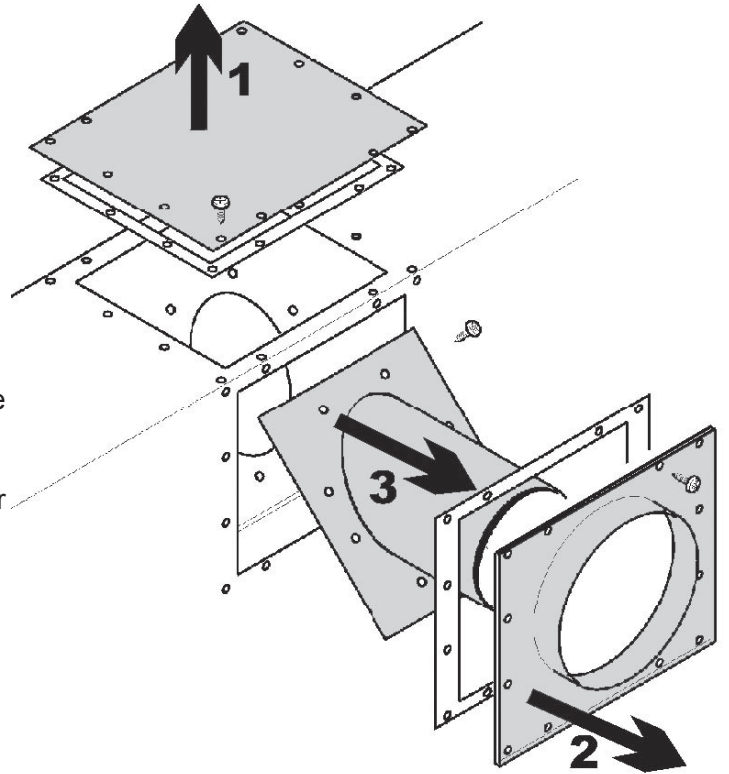


Appliance Preparation

Conversion to Top Outlet for Solid Direct Vent Co-axial Piping

If installing with rear vent outlet, go to next step.

1. Remove the top plate and seal by unscrewing 12 screws. Keep the seal, plate and screws for fitting to the back.
2. Remove the rear outer vent collar and seal by unscrewing 12 screws.
3. Remove the rear inner vent collar and seal by unscrewing 8 screws.
4. To make sure that the collars are axially aligned, fit the adapter 817VAK over the outer vent collar.
5. Position the inner collar and seal vertically inside the top of the appliance. Drop the outer collar with adapter over the inner collar to ensure alignment. Secure the inner collar with 8 screws and the outer collar with 12 screws.
6. Fit the plate and seal (which was previously removed from the top) to the back of the appliance with 12 screws.

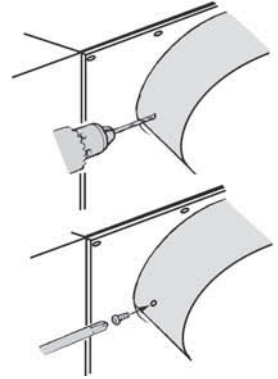


Appliance Preparation

Vent Outlet Preparation for Co-axial Installations using Non-Valor Vent Components

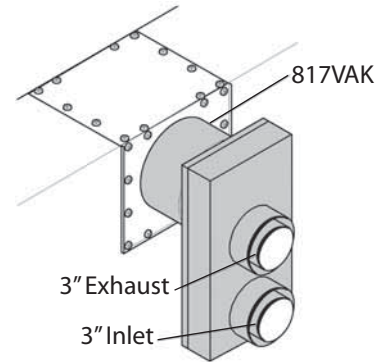
If installing straight off the back venting with Valor terminal kit 551DVK only, ignore this step:

1. Fit the adapter 817VAK over the appliance vent collars pushing on firmly. Align the adapter so that the seam on horizontal pipes is not at the bottom—check by temporarily fitting a pipe.
2. Drill through the adapter outer tube and appliance outer collar for #6 screws. *Make sure that the drill does not penetrate the inner tubes.*
3. Secure the adapter to the outer collar with two #6 thread cutting screws supplied.



Co-linear Conversion using Listed Generic Adapter Box

1. Fit the adapter 817VAK over the appliance vent collars pushing on firmly.
2. Fit and fully twist-lock the co-axial-to-co-linear adapter to the 817VAK adapter.
3. Keeping the connector and adapter fully twist-locked, rotate them so that the air inlet collar on the connector is at the bottom.
4. Drill through the adapter outer tube and appliance outer collar for no. 6 screws. *Make sure the drill does not penetrate the inner tubes.*
5. Secure the adapter to the outer collar with two no. 6 thread cutting screws supplied.

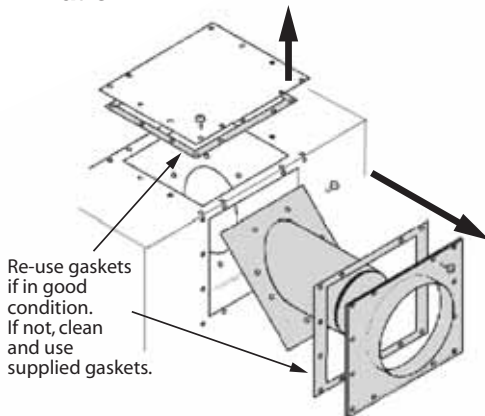


Co-linear Conversion using Valor 556CLA Co-linear Adapter

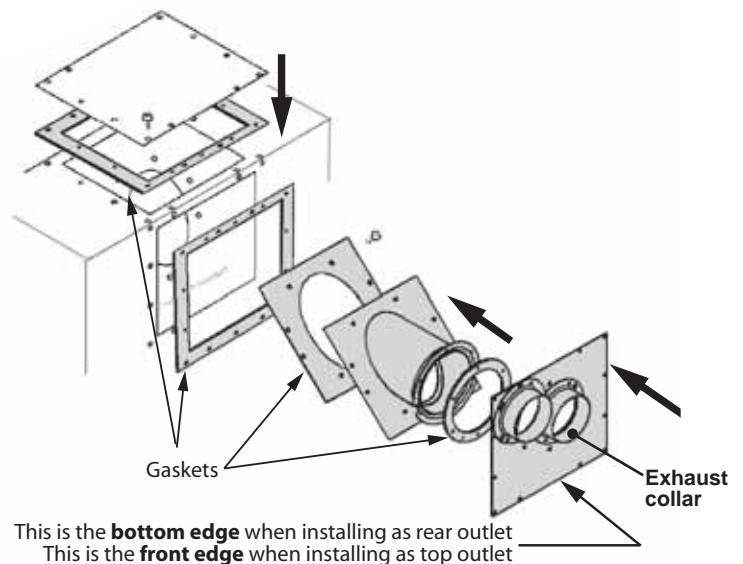
(Note: Instructions may vary as 556CLA may be installed on Top or Back of Heater.)

1. Remove the blank plate and gasket to gain access to the exhaust spigot. Retain the plate and gasket for re-use later.
2. Remove the existing outer intake plate. Retain the gasket only for re-use.
3. Remove the existing exhaust spigot—the gasket below should remain on the heater.
4. Install the new co-linear exhaust spigot re-using existing screws. Ensure all screws are reinstalled tightly.
5. Install the new co-linear outer plate (note: up/down front/back orientation on drawing) re-using existing gasket and screws. Use 6 additional screws supplied to seal outer plate to gasketed flange of exhaust spigot. Connect the 3-inch diameter flex liners directly to outer plate collars using sheet metal screws.

Note: “exhaust” & “intake” must correspond with roof termination.



Remove existing outlet



Replace existing outlet with 556CLA kit

Air Restrictors Installation

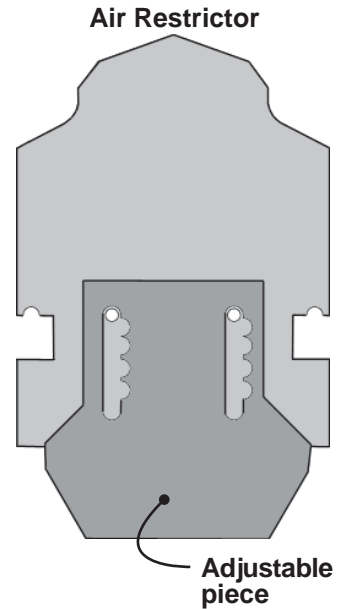
Attaching Air Restrictors—Appliances with Vertical Vent Rise Only

No restrictors are required for appliances which only have a horizontal vent run. If installing an appliance which has a rear vent outlet connection and no vertical vent pipe rise, ignore this stage.

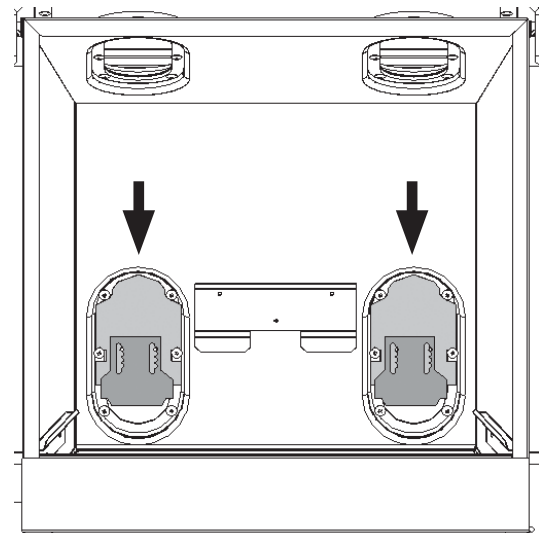
Two restrictor sets, like the one shown right, are supplied with each 530 engine unit. The restrictors cover part of the inlet air openings in the firebox rear wall behind the rear log support.

Each set is assembled with an adjustable piece which can be moved to different positions depending of the vent configuration. See the table below to find out which position is optimal for each type of installation.

- To fit the restrictors, loosen the two center screws of the left and right inlet ports. Place the restrictor assembly under the screw heads and tighten the center screws.
- To set the adjustable restrictor piece, loosen the two screws, position the adjustable piece according to the diagram below and tighten the screws.



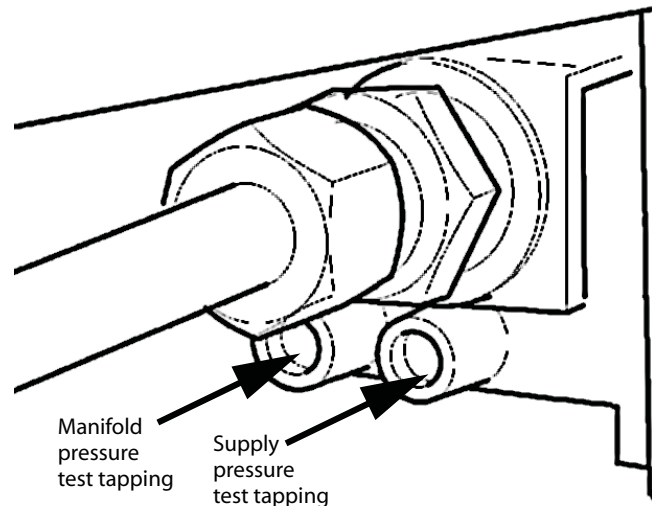
Vent terminal	Vertical vent pipe run	Use restrictor setting	
		Logs/Rocks	Coals
Horizontal through wall (with vertical rise)	Less than 2 ft (61 cm)		
	From 2 ft (61 cm) but less than 4 ft (122 cm)		
	From 4 ft (122 cm) but less than 6 ft (183 cm)		
	6 ft (183 cm) or more		
Vertical through roof	Less than 13 ft (396 cm)		
	13 ft (396 cm) or more		



Install restrictors in the inlet air openings in the firebox rear wall behind the rear log support.

Gas Supply Installation

- It's preferable to rough-in the gas line at this point before proceeding with the firebox installation.
- The appliance is supplied for supply gas connection at the control valve. Supply line connection to the control valve of the appliance is 3/8 inch NPT (female).
Take care not to apply torque to the valve. An isolating valve may be fitted within the appliance case. Be aware that the supply pipe should follow routing to clear the remote receiver or optional fan.
- Use only new black iron or steel pipes or copper tubing if acceptable—check local codes. *Note that in USA, copper tubing must be internally tinned for protection against sulfur compounds.*
- Unions in gas lines should be of ground joint type.
- The gas supply line must be sized and installed to provide a supply of gas sufficient to meet the maximum demand of the appliance without undue loss of pressure.
- Sealant used must be resistant to the action of all gas constituents including LP gas. Sealant should be applied lightly to male threads to ensure excess sealant does not enter gas lines.
- The supply line should include a manual shut-off valve and union to allow the appliance to be disconnected for servicing.
- Pressure test the supply line for leaks.
- **The appliance and its individual shut-off valve must be disconnected from the gas supply piping system during any pressure testing of that system at test pressures in excess of 1/2 psig (3.5kPa).**
- **The appliance must be isolated from the gas supply piping system by closing its individual manual shut-off valve during any pressure testing of the gas supply piping system at test pressures equal to or less than 1/2 psig (3.5kPa).**
- Failure to either disconnect or isolate the appliance during pressure testing may result in regulator or valve damage. Consult your dealer in this case.
- The minimum supply pressure is given in *Specifications* section of this manual.
- All piping and connections must be tested for leaks after installation or servicing. All leaks must be corrected immediately.
- When testing for leaks:
 - Make sure that the appliance is turned off.
 - Open the manual shut-off valve.
 - Test for leaks by applying a liquid detergent or soap solution to all joints. Bubbles forming indicate a gas leak. **Never use an open flame to check for leaks.**
 - Correct any leak detected immediately.
- The pressure test tapping locations are shown in figure above. A built-in non-adjustable regulator controls the burner manifold pressure. The correct pressure range is shown in the table in the *Specifications* section of this manual. The pressure check should be made with the burner alight and at its highest setting. See *Lighting Instructions* section for full operating details.

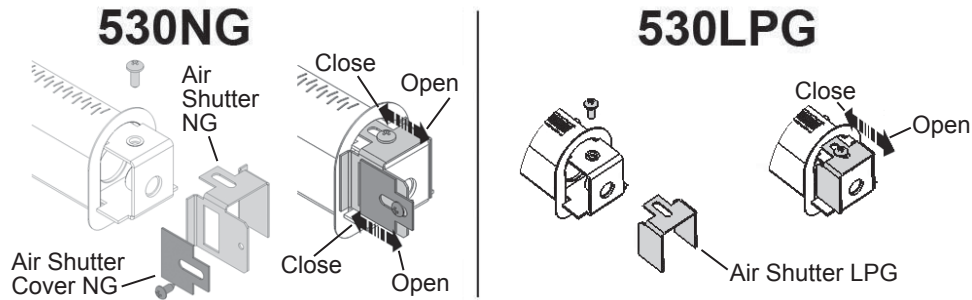


Aeration Setting Check

The burner is equipped with an adjustable shutter to control primary aeration. The shutter is factory set at an aeration gap, which will give optimum performance for the vast majority of installations. In a few unusual installations, performance may be improved by adjusting the aeration. The need for adjustment should be determined by operating the appliance with the

ceramic fuel effects and window installed. See the *Operation Checks* section further on in this manual for adjustment details.

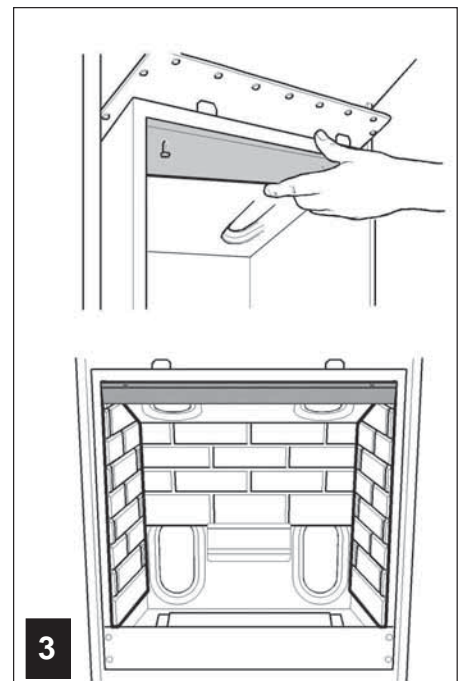
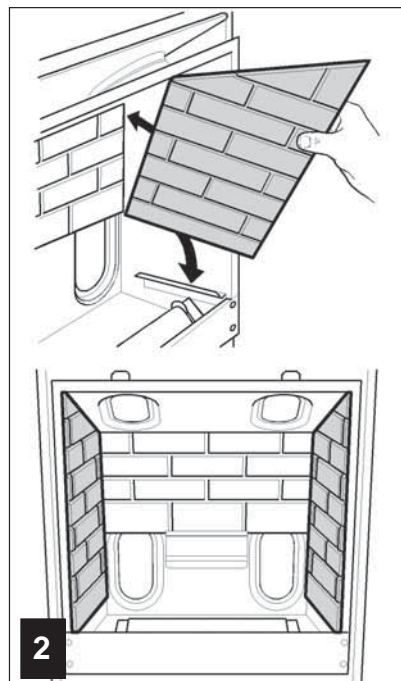
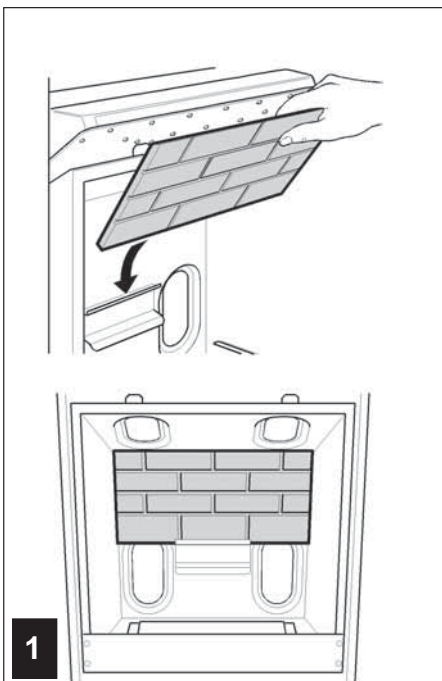
The shutter setting is very critical. A change of 1/64 inch can make a substantial difference to the performance.



Ceramic Walls Installation (logs and coals only)

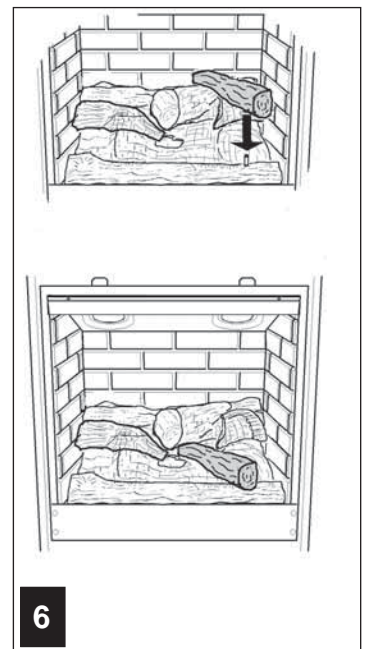
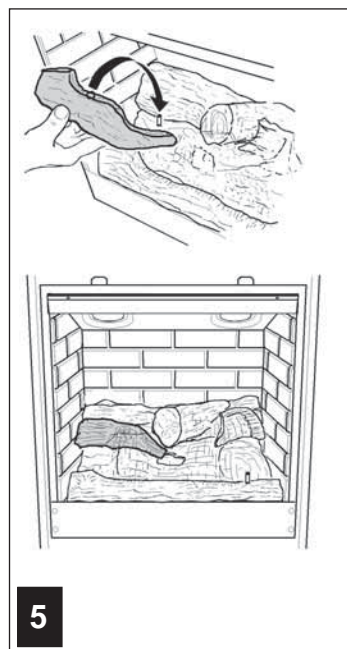
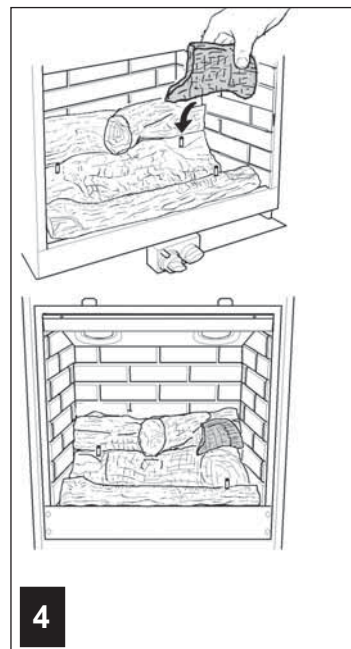
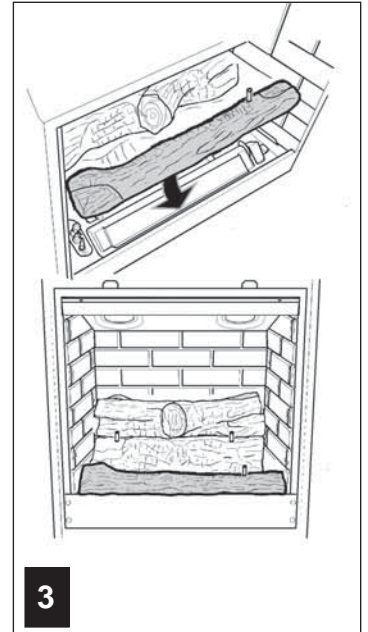
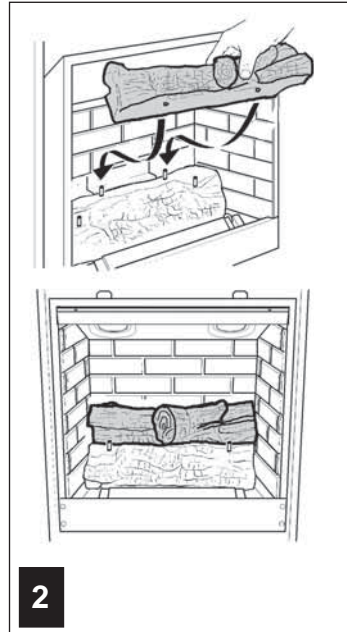
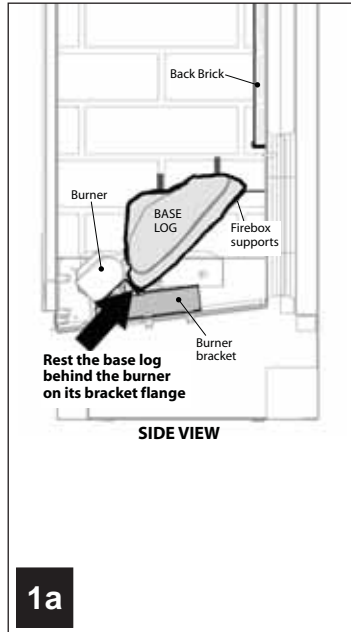
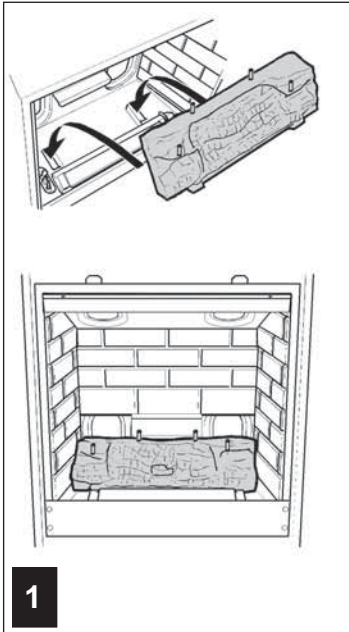
The 530IL and 530IC engines are provided with a set of reversible walls. One side shows the brick pattern and the reverse side shows a black vertical fluted pattern. Follow the instructions below to install the wall set on the chosen side. **For ceramic walls installation for 530IR engine, see *Ceramic Rocks Installation* section in this manual. At this point, you can install the 567FGP Top Grille, if used (logs or rock version only, sold separately or included with 569 Ledge Front Kit or 575/578 Lift Kit).**

1. Locate the ceramic rear wall in the channel at back of the firebox and flat against the back of the firebox.
2. Locate the sidewalls in the channels at the sides of the firebox.
3. Remove two screws from under the top front of the firebox. Using these screws fit the port cover.



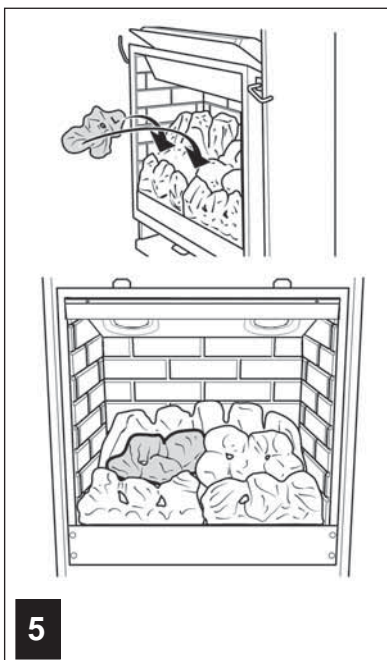
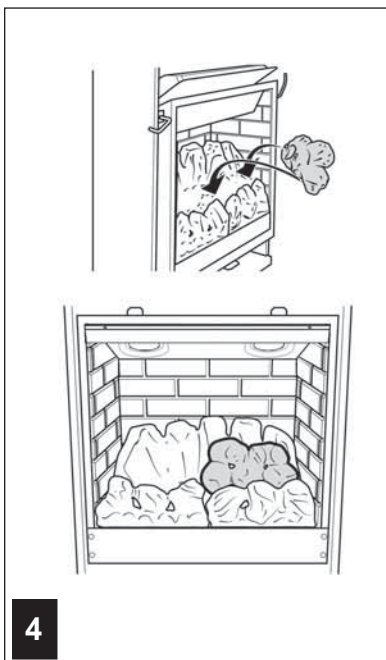
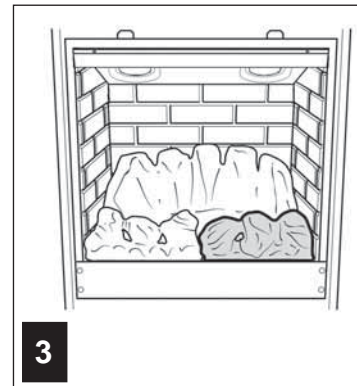
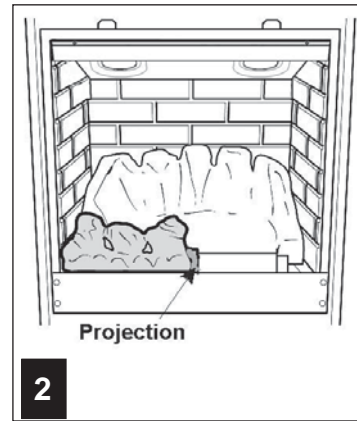
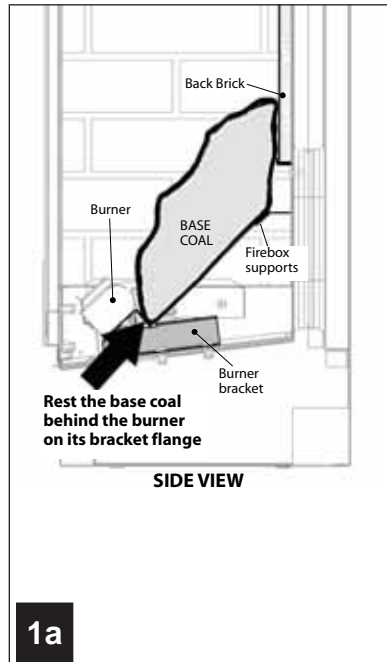
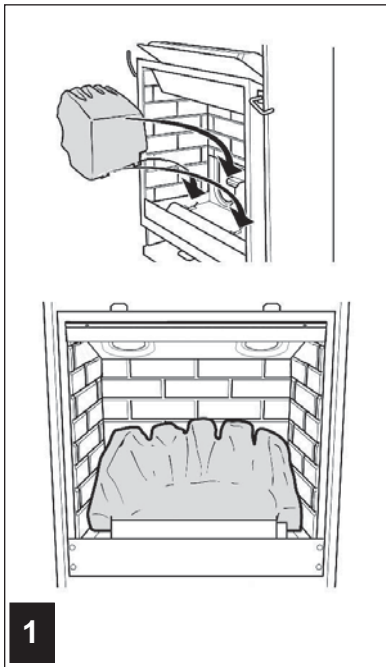
Ceramic Logs Installation

1. Place the base log on the supports in the firebox and against the support at the firebox back.
2. Locate the rear upper log on the two ceramic pins at the rear of the base log.
3. Place the front log behind the metal strip at the front of the firebox.
4. Locate the right middle log on the pin in the right hand side of the base log .
5. Locate the left side log on the ceramic pin on the left hand side of the base log. Rest the narrow nose of of this log on the projection at the front center of the base log—*ensure that the narrow nose does not rest on the burner.*
6. Locate the right side log on the pin in the front log and rest the nose of this log on the projection on the base log—*ensure that the nose does not rest on the burner.*



Ceramic Coals Installation

1. Place the base coal on the supports in the firebox and against the firebox back.
2. Place the left front coal in position behind the metal lip at the front of the firebox. The side projection on this coal should be near the middle front of the firebox.
3. Place the right front coal behind the metal lip at the front of the firebox. Its left side should rest over the projection on the left front coal.
4. The center right coal has letter "R" embossed underneath. Place this coal behind the front right coal.
5. The center left coal has letter "L" embossed underneath. Place this coal behind the front left coal.



Ceramic Rocks Installation

The ceramic rock set is packed in three cartons. Unpack each piece carefully to avoid damages. You should have in hand the following items:

Carton 4001879

- Ceramic platform

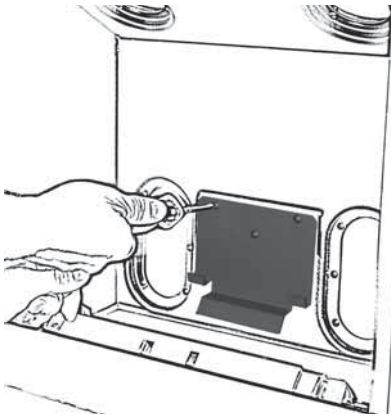
Carton 4002055

- Left and right side reversible brick/fluted ceramic panels
- Rear panel support

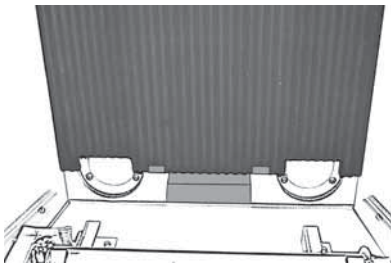
Carton 4002054

- Rear fluted panel
- Ceramic base for rocks
- 12 ceramic rocks

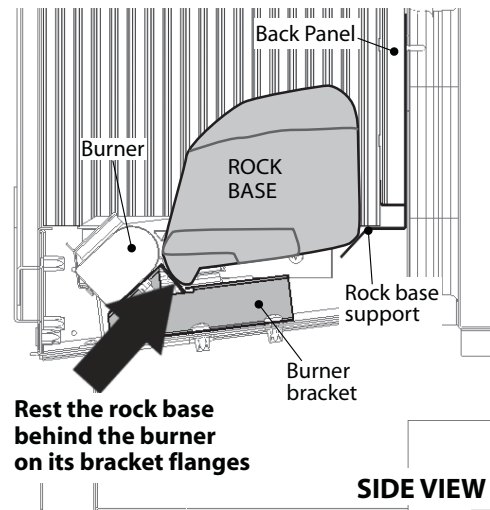
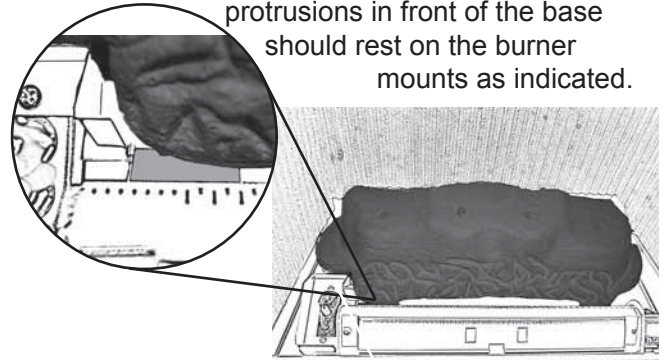
1. Remove the three black screws from the rear panel inside the firebox.
2. Place the rear panel support and fix it with the three screws removed in 1.



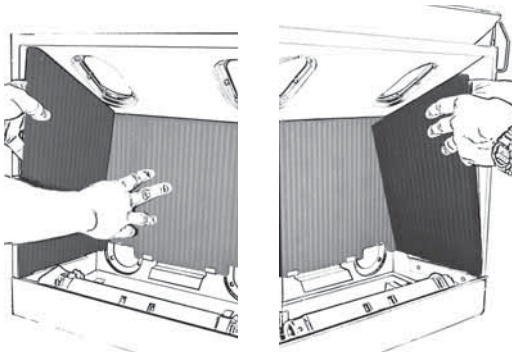
If installing the 567FGP Top Grille (sold separately), fit it now. See instructions supplied with the grille.



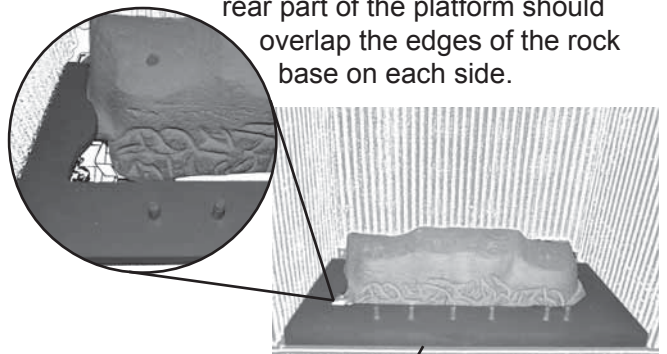
5. Place the rock base behind the burner. The two protrusions in front of the base should rest on the burner mounts as indicated.



3. Place the rear panel on the rear support as indicated. Hold in place and go to next step.
4. Place the left and then the right panels in the firebox showing the black fluted sides.

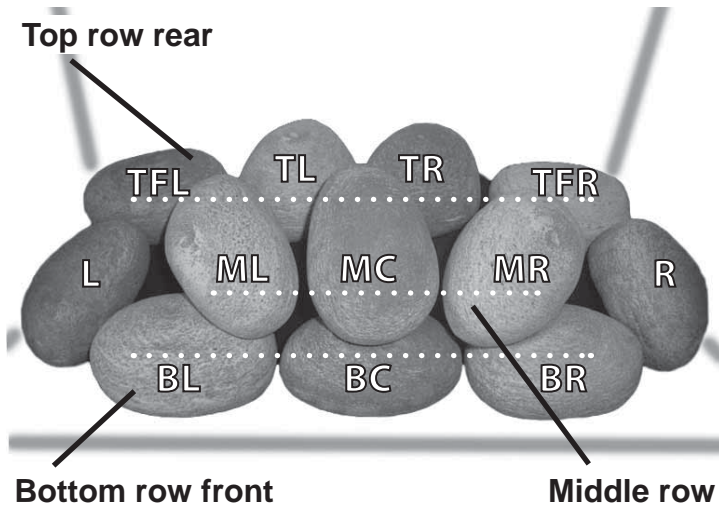


6. Place the ceramic platform over the burner and around the rock base with the pegs on the top. The rear part of the platform should overlap the edges of the rock base on each side.



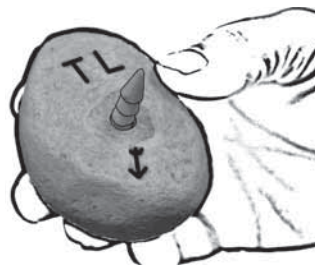
Front edge of platform rests on top of sheet metal lip

Ceramic Rocks Installation



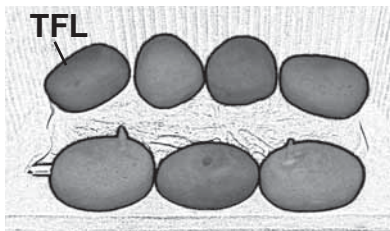
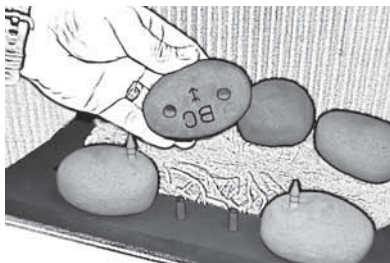
Rock ID	Description	Other markers	Position in the firebox
TFL	Top far left	1 peg under	Top row rear
TL	Top left	1 peg under	Top row rear
TR	Top right	1 peg under	Top row rear
TFR	Top far right	1 peg under	Top row rear
BL	Bottom left	2 holes under, 1 peg above	Bottom row front
BC	Bottom center	2 holes under, 1 hole above	Bottom row front
BR	Bottom right	2 holes under, 1 peg above	Bottom row front
ML	Middle left	1 hole under	Middle row
MC	Middle center	1 peg under	Middle row
MR	Middle right	1 hole under	Middle row
L	Left	—	Left side
R	Right	—	Right side

To get the optimal flame effect, it is important to place the rocks in their appropriate position. Each rock is embossed underneath with letters and an arrow indicating the position of the rock. **The arrows point to the front of the fireplace when the rock is installed.**

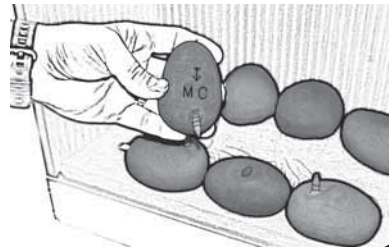


See the image and table at the top of the page to help you with the identification and position of the rocks.

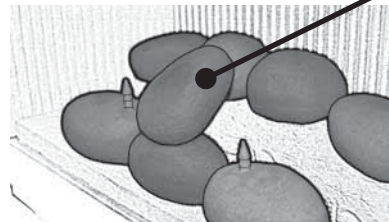
1. Identify the rocks **TFL, TL, TR, and TFR**. These rocks have pegs that fit in the holes on the top of the rock base. Install these rocks positioning them so that the arrow embossed underneath point to the front of the fireplace.
2. Identify the rocks **BL, BC, and BR**. These rocks have two holes that fit on the pegs of the ceramic platform. Install these rocks positioning them so that the arrow embossed underneath point to the front of the fireplace.



3. Identify the rocks **ML, MC, and MR**. Those rocks have pegs that fits in the holes on the top of the rocks on the front row. Install those rocks positioning them so that the arrows underneath point to the front of the fireplace.

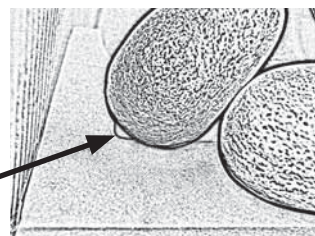


This rock is suspended and does not rest on the rocks of the row behind it.



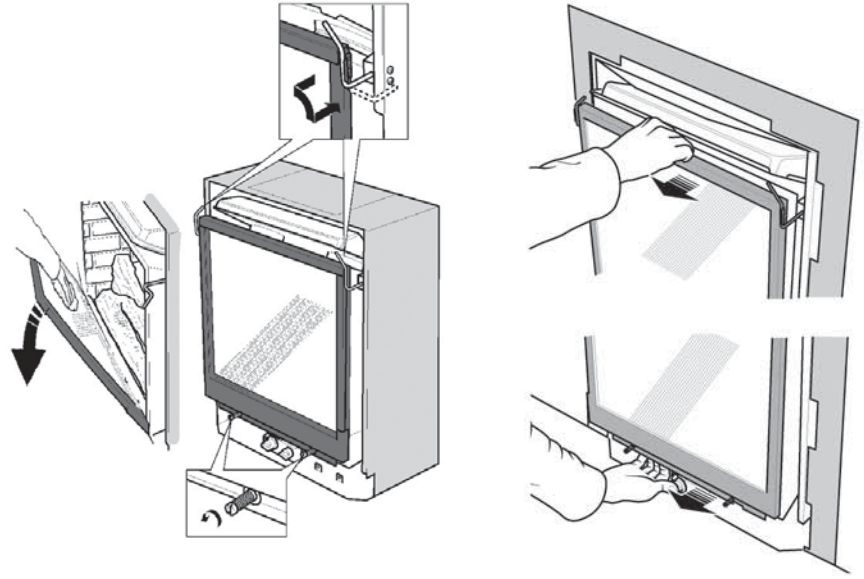
4. Identify the rocks **L and R**. Those rocks don't have any peg or hole. Install those rocks as indicated, at the left and right of the rock pile positioning them so that the arrows underneath point to the front of the fireplace. The rock rests against the other rocks and is at an angled position. *Make sure that the TFL rock at the rear left is in the proper angle*—see image in step 2. See the image at the top of the page. You must be able to see the edge of the platform under the L rock (at left) as indicated below.

The edge of the platform is visible under the rock




Window Refitting and Checking

1. Place the window centrally against the engine unit and resting on the support at bottom front of the engine.
2. Pull the clamping bars forward and rotate inwards to secure the top of the window.
3. Fit the two spring loaded bolts through the bottom of the window and tighten to secure the bottom of the window.
4. Pull the top of the window forward and release to ensure the springs return it in position.
5. Similarly check the bottom of the window by pulling it forward and releasing.
6. Apply light hand pressure against the window frame sides to bed in the window seal.

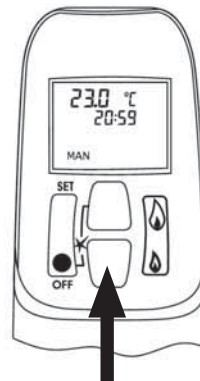


Remote Control Initial Set-up

The receiver and the handset of the remote control system must be initially synchronized before the first use.

1. Insert alkaline batteries in the remote control receiver and handset. The receiver is located left of the control valve under the burner module.
2. With a sharp object, press and hold the receiver's reset button until you hear one short and one long beeps. Release the reset button after the second beep.
3. Within the subsequent 20 seconds, press the small flame button () on the remote handset until you hear two short beeps confirming the synchronization is set.

This is a one time setting only and is not required when changing the batteries in the remote receiver. The remote control system is now ready to use.



Operation Checks

Check ignition, pilot stability, burner flames, and the full range of the thermostat using the rotary switch inside the appliance and the remote control. See the *Lighting Instructions* on page 34 of this manual for full details.

Aeration adjustment

As described on page 21, the burner aeration is adjustable. For the vast majority of installations, no adjustment will be necessary. However, in a very few instances, performance may be improved by adjusting the aeration by sliding the shutter. Evaluate the aeration only after the unit has warmed up—approximately 15 minutes.

The shutter setting is very sensitive. Small adjustments can make a substantial difference to the flames. We strongly advise that adjustments be made in steps of no more than 1/64 inch (0.4 mm). Increasing aeration will cause the flame to appear more transparent and blue making the ceramic fuel effects glow more.

Decreasing aeration will cause the flames to appear more yellow or orange making the fuel effects glow less.

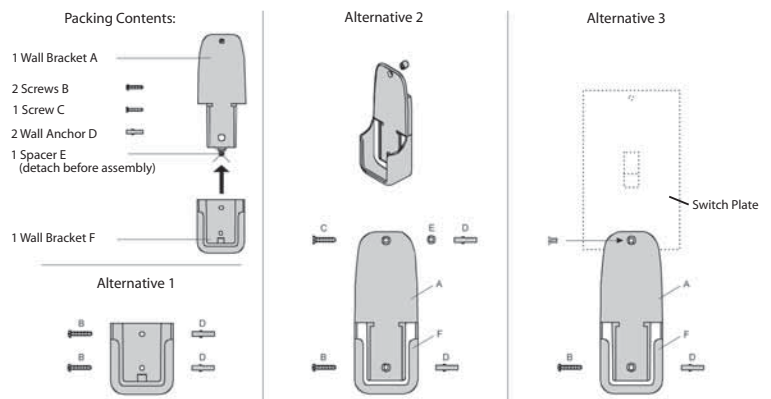
Too little aeration may result in black carbon forming and dropping into the firebox.

Remote Control Handset Wall Holder Installation

The remote control kit for this fireplace comes complete with a wall-mounted holder. This holder is not required in all installations but is provided as an optional feature for those customers who wish to mount the remote handset to the wall.

To install the holder to the wall, find a convenient location and use the hardware provided with the kit. See the diagram on the right for required hardware and configurations. Note that the holder can be installed at the base of a light switch plate.

IMPORTANT. The location of the remote control handset is important to assure proper temperature regulation. To obtain a constant temperature, we recommend that the handset should be between 3 and 15 feet away from the appliance **but not directly above it**. We also advise that the handset should be located away from any other heat source and not in direct sunlight as this may affect the temperature sensor located in the remote handset.



Owner's Information

CAUTION

Your fireplace becomes very hot when operating. Avoid placing decorating objects sensitive to heat within 36 inches (0.9 m) around it.

Performance of LPG appliances may be affected by the quality of commercial gas supplied in your area.

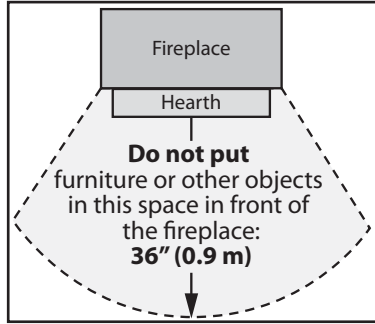
Warranty Card at the back of this manual.



Read the Safety Information section on page 4 of this manual.

Operating Your Fireplace

For your safety, this appliance is fitted with a flame supervision device which will shut-off the gas supply if, for any reason, the pilot flame goes out. This device incorporates a fixed probe, which senses the heat from the pilot flame. If the probe is cool, the device will prevent any gas flow unless the MAN knob is in position MAN and the metallic core on the valve is pushed in. See the section *Lighting Instructions* on page 34 of this manual.



WARNING

DO NOT TOUCH THE GLASS WHILE IT IS HOT!
Let the fireplace cool first before cleaning it.

Cleaning

It will be necessary to clean the glass periodically. During startup, condensation, which is normal, forms on the inside of the glass and causes dust and lint to cling to the glass surface. Initially, paint, while curing, may deposit a slight film on the glass. We therefore recommend that, during the first few weeks of use, the glass be cleaned two or three times with non-abrasive common household cleaners (such as dish soap) and warm water.

Ammonia based cleaners should NOT be used.

Subsequently, the glass should be cleaned two or three times a season depending on the circumstances.

Do not clean the glass while it is hot!

Always securely replace the window before lighting. **If broken, the glass pane may only be replaced as a complete window unit as supplied by the manufacturer.**

To remove the window for cleaning:

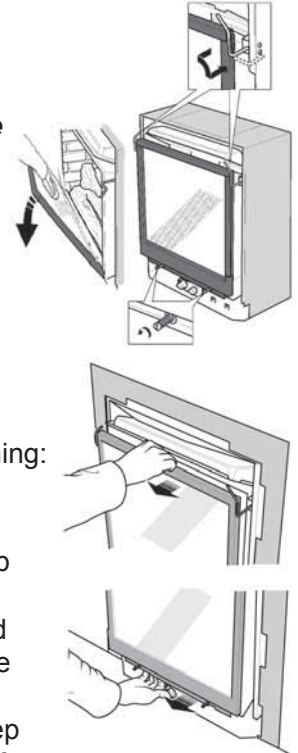
1. Release the top of the window by pulling forward and rotating outwards the two bars at the top corners.
2. Unscrew the two spring-loaded bolts securing the bottom of the window.
3. Carefully lift the window. Keep the window and bolts in a safe place.

To refit the window:

1. Place the window centrally against the engine unit resting it on the support at bottom front of the engine.
2. Pull the clamping bars forward and rotate inwards to secure the top of the window.
3. Fit the two spring loaded bolts through the bottom of the window and tighten to secure the bottom of the window.
4. Pull the top of the window forward and release to ensure the springs return it in position.
5. Similarly check the bottom of the window by pulling it forward and releasing.
6. Apply light hand pressure against the window frame sides to bed in the window seal.

Dust can be brushed from the ceramic logs and firebox walls after removing the front unit and opening the window.

Dust can also be removed from the burner using a soft brush after removing the ceramic logs. When cleaning, make sure that no particles are brushed into the slots of the burner.

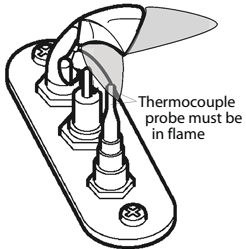


Owner's Information

Checks

A periodic check of the pilot and burner flames should be made. Check after the fire has been on for at least 30 minutes. The pilot flame must cover the tip of the thermocouple probe.

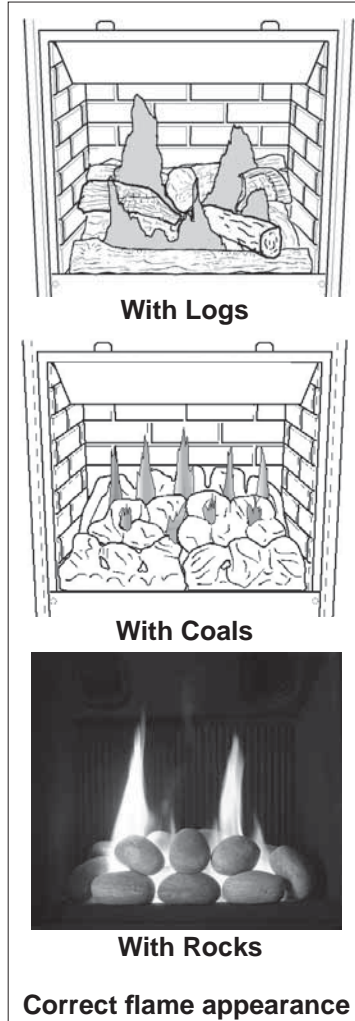
The main burner flame pattern will vary from appliance to appliance depending on the type of installation and climatic conditions.



The appliance area must always be kept clear and free from combustible materials, gasoline and other flammable vapors and liquids.

Inspect the vent terminal outdoors regularly to make sure that dirt, snow, insects, leaves, shrubs, trees do not obstruct it.

Examine the whole vent system regularly. We recommend annually.



Batteries

CAUTION

DO NOT USE a screwdriver or other metallic object to remove the batteries from the receiver or the handset! This could cause a short circuit to the receiver.

CAUTION

To avoid short-circuit to the receiver, position the **antenna** so that it **DOES NOT TOUCH the ignition wire**.

Low battery signal: page 33.

All appliances use four 1.5V AA alkaline batteries for remote control receivers and the handset uses a 9V alkaline battery.

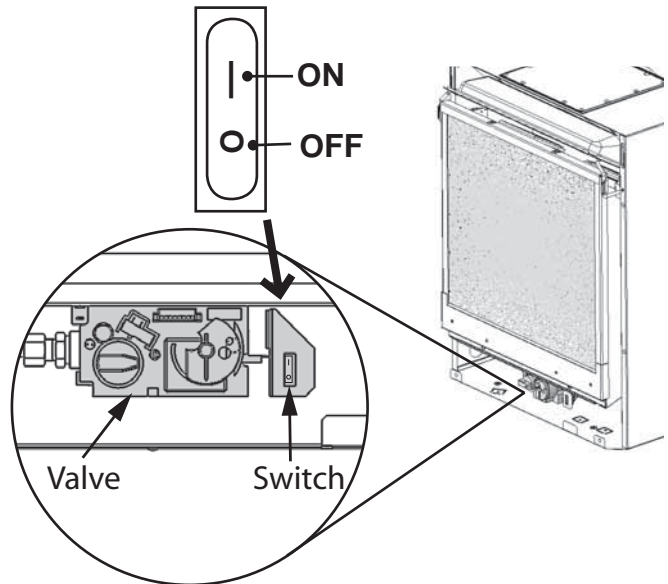
Batteries are accessible by opening the bottom access panel and removing the lid of the remote control receiver.

Batteries should last one to two seasons, depending on usage. Removing batteries in the off season will extend battery life.

Manual On/Off Switch

In cases where you want to turn off your fireplace and cannot do it with the remote control handset (misplaced, lost, dead batteries, etc.) or if you need to replace the receiver's batteries, you can turn off the appliance with the manual switch located on the right hand side of the valve.

If you are planning not to use your fireplace for a prolonged period of time, remove the battery from the remote handset and turn off the gas valve using the manual ON/OFF switch.



Servicing

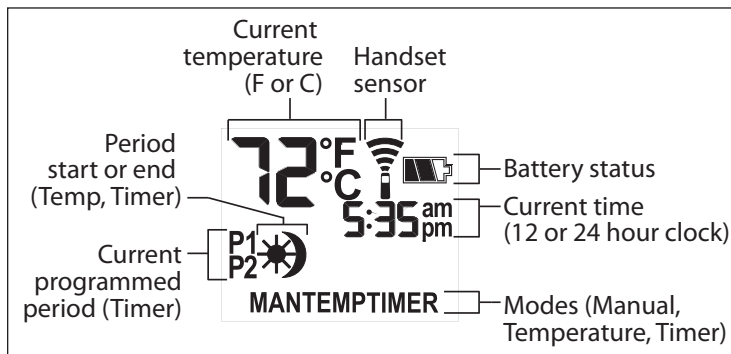
If your appliance require any attention, contact your supplier quoting the model number. It will be helpful if the appliance serial number can also be quoted. This is on the rating plate, which is on a chained, plate accessible by opening the bottom access panel. The repair parts are shown in the separate repair parts leaflet. Please always quote part number and description when requesting spare parts.

Remote Control Operation

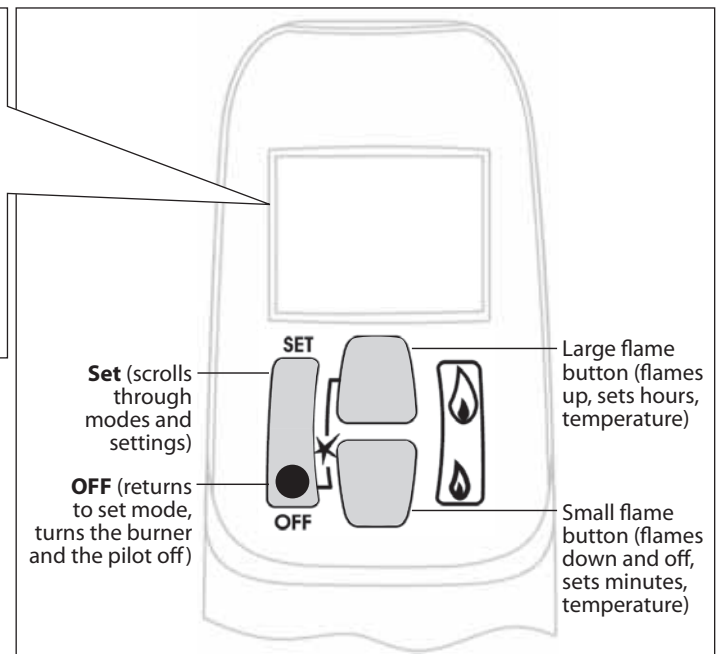
NOTE: Before using the remote control system for the first time, the receiver and the handset must be synchronized. See the section *Remote Control Initial Set-up* on page 26 in this manual.

Your fireplace remote control helps you get the comfort, convenience and aesthetics you want from your gas fireplace. The remote controls your fireplace in different ways.

IMPORTANT: BEFORE YOU BEGIN, please note that on this system, the settings of time, temperature and automatic ON/OFF can only be programmed when the function display is flashing. Be patient when programming as it can take a few seconds to set.



Display Overview



Handset Overview

Note: In the TEMP or TIMER modes, the remote handset senses the room temperature and adjusts the flame accordingly.

To communicate, the handset should be within 15 feet (4.5 meters) of the fireplace.

Do not leave the handset on the mantel or hearth.

Turning your fireplace ON

IMPORTANT: When the pilot is lit, the valve motor turns automatically to maximum flame height.

1. Make sure that the MAN knob on the valve is in ON position.
2. Make sure that the switch on the valve is in the I position.
3. Press and hold the OFF and 🔥 (large flame) buttons until you hear a short acoustic signal. Release the buttons.

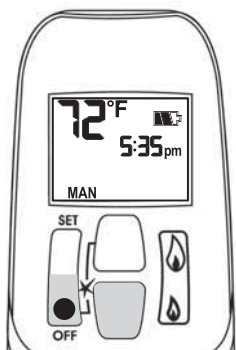
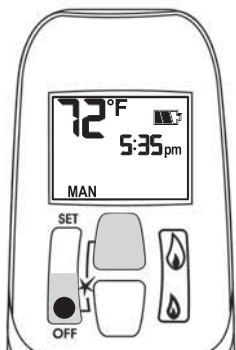
The acoustic signals will continue until the pilot lights. The remote control will go automatically into TEMP mode. The flame will be at maximum height until the remote control reads the temperature (factory set) and will then adjust the flame accordingly.

You can put the remote in MAN manual mode, change the temperature in TEMP mode or program your remote in TIMER mode as indicated in the following sections.

Turning your fireplace OFF

1. Press the 🔥 (small flame) button to reduce the flame to pilot.
2. Press the OFF button to turn the pilot off.

Alternately, you can press the **O** button on the switch if you won't use your fireplace for a long period of time, if you cannot locate your remote control handset or if you wish to change the batteries.



Remote Control Operation

Operation Modes

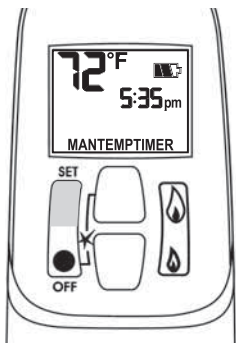
STANDBY MODE—Ignited pilot only.

MAN MAN MODE—Manual Mode. You can use this mode to adjust the flame height up or down.

☀️ TEMP TEMP MODE—Daytime Temperature Mode (appliance must be in Standby mode; pilot ignited): The room temperature is measured and compared to the set temperature. The flame height is then automatically adjusted to achieve the Daytime set temperature.

🌙 TEMP TEMP MODE—Nighttime Setback Temperature Mode (appliance must be in Standby mode, pilot ignited): The room temperature is measured and compared to the Nighttime Setback temperature. The flame height is then automatically adjusted to achieve the Nighttime Setback temperature.

TIMER TIMER MODE—(appliance must be in Standby mode, pilot ignited): The Timer setting allows you to set two burner ON times and two burner OFF times for every 24-hour period.



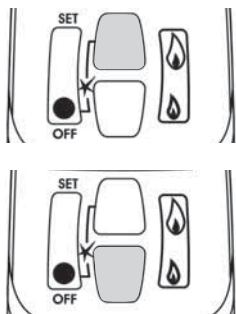
Scrolling through modes and functions

Briefly pressing the **SET** button changes the operation sequences in the following order:

MAN → ☀️ TEMP → 🌙 TEMP → TIMER → and back to MAN.

NOTE: MAN mode can also be reached by pressing either the 🔥 or 🔥 buttons.

Mode	Sun ☀️	Moon 🌙
TEMP	Daytime temperature setting	Nighttime temperature setting
TIMER	Start time setting	Stop time setting



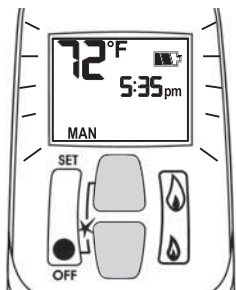
Flame Height

The flame height can be adjusted in the following manners. In MANUAL mode,

1. Press the 🔥 (large flame) button to turn on the main burner.
2. Press the 🔥 (large flame) button to increase the flame height.
3. Press the 🔥 (small flame) button to decrease the flame height or to go to pilot Standby position.

For fine adjustments, tap the 🔥 and 🔥 buttons.

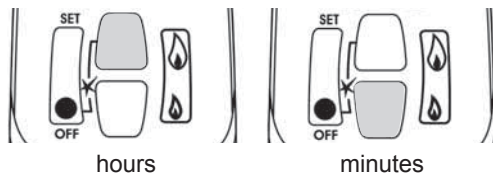
NOTE: While pressing either button, a symbol indicating transmission appears on the upper right hand corner of the display. The receiver confirms transmission with an acoustic signal.



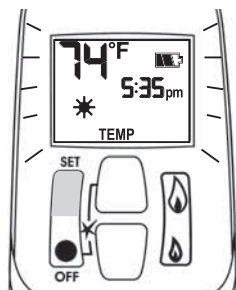
Time

To set the time, follow the steps below.

1. The display indicates °C/24-hour or °F/12-hour clock. To change from one to the other, press and hold both the **OFF** and 🔥 buttons until the display changes.
2. To set the time, hold down **both** the 🔥 and 🔥 buttons until the display flashes. Let go.
3. Quickly press the 🔥 button to set the hour and the 🔥 button to set the minutes.
Note: You must start setting the time while the display is flashing. If it stops flashing, go back to 2.
4. Press the **OFF** button to return to manual mode or simply wait and it will automatically return to Manual mode.



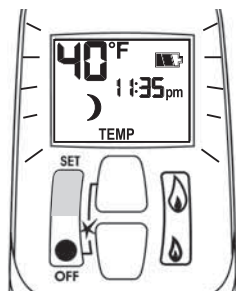
Remote Control Operation



Temperature

Use this setting when you come in and want to enjoy a set temperature.

1. Select either the ☀ **TEMP MODE** or the 🌙 **TEMP MODE** by briefly pressing the **SET** button.
2. Hold the **SET** button until the **TEMP** display flashes.
3. Set the desired temperature with the 🔥 or the 🔻 buttons.
Note: 4.5°C/40°F is the minimum temperature setting.
4. Press the **OFF** button or simply wait and the display will go to the temperature control mode.
Note: If you would like the Nighttime Setback temperature control to turn off, decrease the 🌙 **TEMP MODE** setting until [---] appears on the display.
Your fireplace will reach the set temperatures and the remote handset will check the temperature every five minutes, adjusting the amount of fuel needed to give you a steady, even heat.
5. The display must remain in **TEMP** mode on the remote handset.

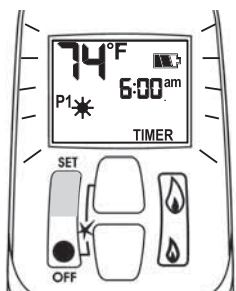


Timer

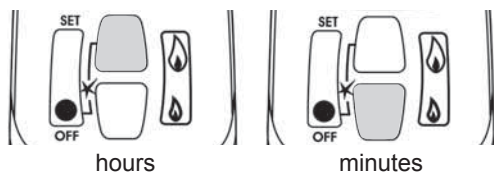
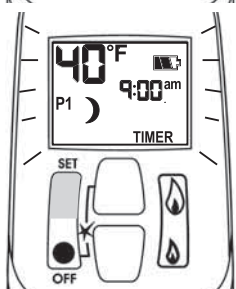
It is possible to program two periods of time per day at which your fireplace will turn on and off automatically.

For example, you can set your fireplace to turn on in the morning just before you get up (P1 ☀ [start time]) and to turn off when you leave for the day (P1 🌙 [stop time]). Then, you can set your fireplace to turn on again at the end of the day (P2 ☀ [start time]) and to turn off when you go to bed at night (P2 🌙 [stop time]).

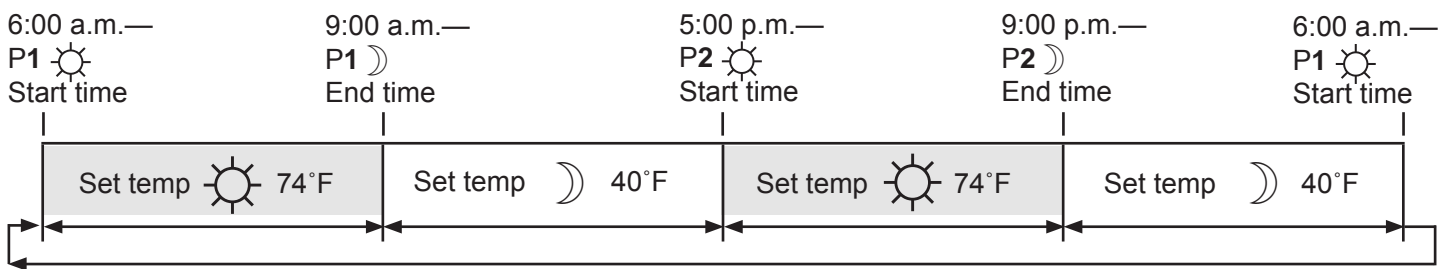
If you wish to set only one time period at which your fireplace will turn on and off, program P2 ☀ [start time] and P2 🌙 [stop time] for the same time as P1 🌙 [stop time].



1. Select **TIMER** mode by briefly pressing the **SET** button.
2. Press and hold the **SET** button until **TIMER** is displayed on the lower right hand side.
3. Press and hold the **SET** button until P1 ☀ and the time display flashes. Set the start time by pressing the 🔥 button for the hour and the 🔻 button for the minutes. Then, briefly press **SET** to P1 🌙 and set the stop time in the same manner you just set P1 ☀.
4. Briefly press the **SET** button again for the next burner cycle time, which will be P2 ☀ and P2 🌙.
5. Once all four times are set, press **OFF** or simply wait to complete programming.
6. The remote handset must remain in **TIMER** mode to function automatically.



Timer Programming Example (default temperatures shown)



Remote Control Operation

Low Battery Indication

Remote handset: BATT will appear on the display when the battery needs to be replaced.
Replace with one 9 V **alkaline** battery.

Receiver: Three short 'beeps' will sound when the motor turns when the batteries need to be replaced. Replace with four 1.5 V **alkaline** batteries.

NOTE: With very low battery, the valve shuts off the fire completely. This does not happen when the power supply is interrupted.

Handset / Receiver Match

The remote control handset and receiver are programmed to function together. In case of a replacement of the handset or the receiver, you will need to reset the receiver to allow them to function together. Contact your dealer for details

Automatic Standby Mode

If there is no transmission from the handset to the receiver within a 6-hour period, the appliance will go to **Standby** (pilot) mode.

CAUTION

DO NOT USE a screwdriver or other metallic object to remove the batteries from the battery box or the handset! This could cause a short circuit.

Options

Additional optional features

Top Grille 567FGP (with 530IL (logs) and 530IR (rocks) ONLY)

Covers port orifices of the top panel of the firebox.

Wall Control Switch Kit 1265WSK

Operates the controls of the fireplace from a wall switch.

Circulating Fan Kit 555CFK

Having variable speed and temperature control, it is designed to boost the natural convection process through the appliance. It may be fitted before the fireplace is installed or retrofitted at a later date.

LPG Conversion Kit 554LPK

Burner and injector kit for conversion from natural gas to propane.

Hearth Gate (optional)

Hearth gates such as Kidco's are available at retail stores carrying safety products for children.

Lighting Instructions

FOR YOUR SAFETY, READ BEFORE LIGHTING

WARNING: If you do not follow these instructions exactly, a fire or explosion may result causing property damage, personal injury or loss of life.

- A. This appliance has a pilot which must be lighted by hand or by remote control. Follow these instructions exactly. To save gas, turn the pilot off when not using the appliance for a prolonged period of time.
- B. **BEFORE LIGHTING**, smell all around the appliance area for gas. Be sure to smell next to the floor because some gas are heavier than air and will settle on the floor.

WHAT TO DO IF YOU SMELL GAS

- Do not try to light any appliance.
 - Do not touch any electric switch; do not use any phone in your building.
 - Immediately call your gas supplier from a neighbor's phone. Follow the gas supplier's instructions.
 - If you cannot reach your gas supplier, call the fire department.
- C. Use only your hand to push in or turn the control knobs. Never use tools. If the knobs will not push in or turn by hand, don't try to repair them; call a qualified service technician. Force or attempted repair may result in a fire or explosion.
- D. Do not use this appliance if any part has been under water. Immediately call a qualified service technician to inspect the appliance and to replace any part of the control system and any gas control, which has been under water.

LIGHTING INSTRUCTIONS

1. STOP! Read the safety information above. Dependent on model, switch #1 may be mounted directly to valve see Fig 2A.

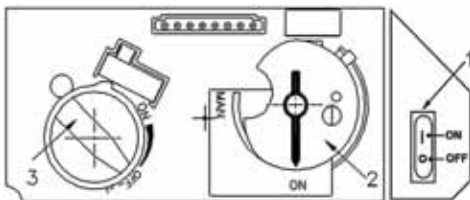


Fig 1

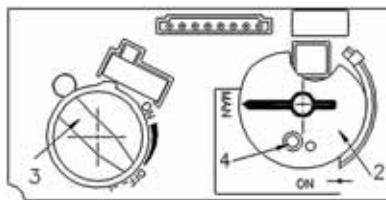


Fig 2

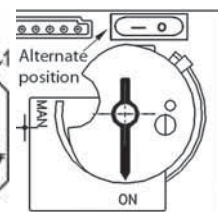




Fig 2A

2. SET ON/OFF SWITCH (1) TO "OFF" POSITION.

- Wait five (5) minutes to clear out any gas, then smell for gas, including near the floor. If you smell gas, STOP! Follow "B" in the safety information above on this label. If you don't smell gas, go to the next step.

3. AUTOMATIC IGNITION (fig. 1): Locate the pilot (fig 3.) inside of firebox at Left Hand side.

- ON/OFF switch (1) in ON position, MAN-knob (2) in ON position; set Flame Adjustment knob (3) to lowest setting (∩);
- On the remote control handset, press and hold the 'off' button and  (large flame) simultaneously; a short acoustic signal confirms the start has begun;
- Further short acoustic signals indicate the ignition process is in progress;
- When the pilot is lit, the Flame Adjustment knob (3) will automatically rotate to the highest setting.
- Press the  (small flame) on the remote control handset to reduce the flame height.

4. MANUAL IGNITION (fig. 2): With the window off, locate the pilot (fig. 3) inside of firebox at Left Hand side;

- ON/OFF switch (1) in ON position, MAN-knob (2) in MAN position;
- Set Flame Adjustment knob (3) to the lowest setting (∩);
- Push down the metallic core (4) with a pen or similar instrument; this will establish the pilot gas flow;
- Light gas at the pilot (5) with a match;
- Continue holding down metal core (4) for about 10 seconds; after release, pilot should remain lit;
- If the pilot will not stay lit after several tries, turn the gas control knob (3) to "OFF" (∩) and call your local service technician or gas supplier.

Reinstall the window and set the MAN-knob (2) to "ON"; turn Flame Adjustment knob (3) up (∩) or down manually or use the up/down 'flame' buttons on the remote control handset to adjust the flame height.

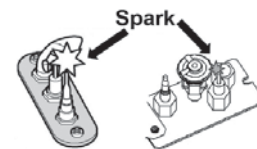



Fig 3

TO TURN OFF GAS TO APPLIANCE

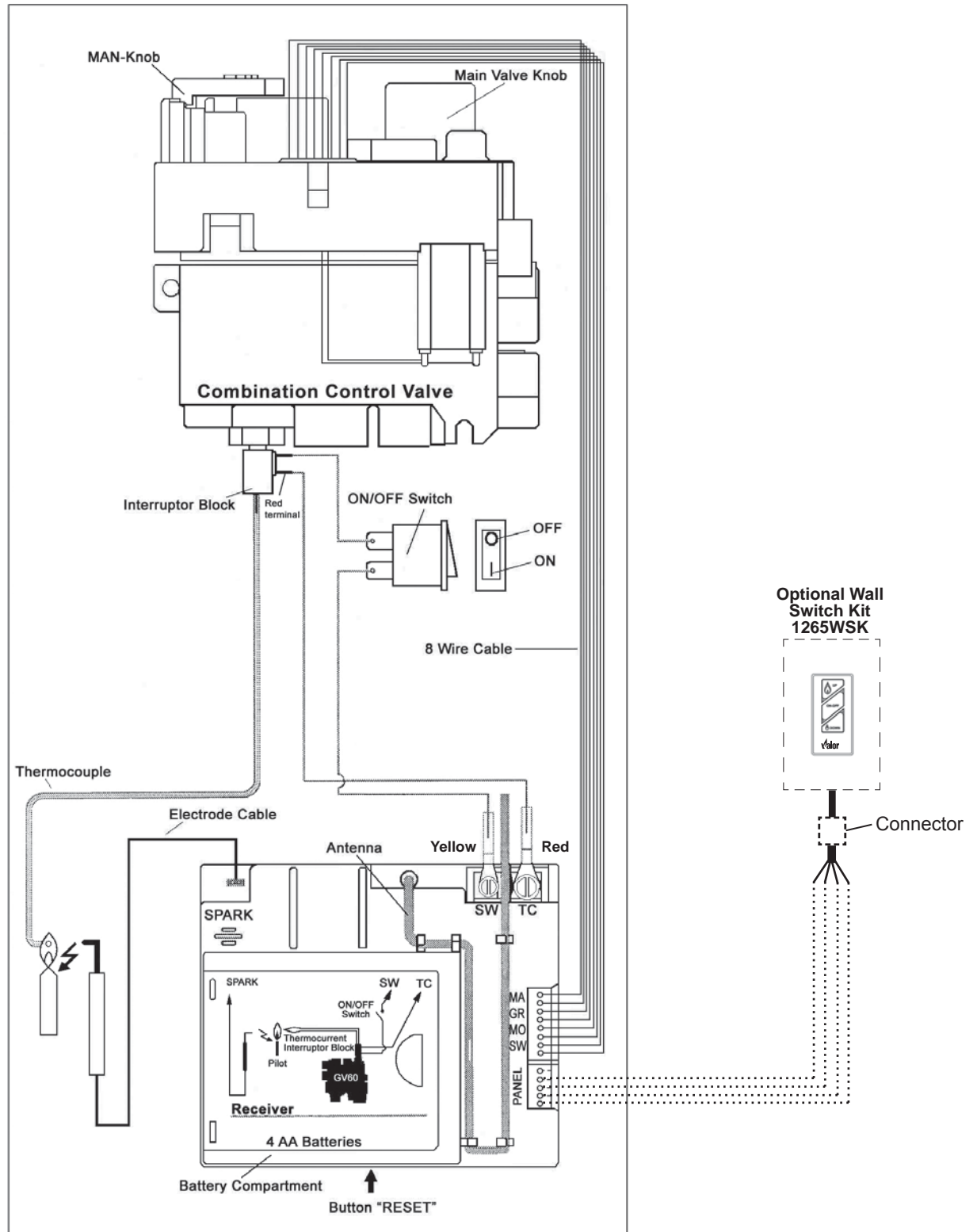
1. AUTOMATIC SHUT-OFF (using the remote control handset):

- Press and hold the  (small flame) on the remote control handset to shut-off the main burner gas flow;
- Press "OFF" button on remote handset to shut-off the appliance, including pilot flame.

2. MANUAL SHUT-OFF (using only the ON/OFF switch (1))



- Press "O" the ON/OFF switch (1) to shut-off the appliance.

Wiring Diagram



GV60 Wiring Diagram

Approved Venting Components

APPROVED DIRECT VENT SUPPLIERS FOR VALOR MODELS 530, 534, 535, 650, AND MF28								
  Venting Parts Description		Venting Parts Code / availability by Manufacturer						
		SIMPSON DURA-VENT	SELKIRK	ICC EXCEL DIRECT	SECURE VENT	RLH INDUSTRIES	MILES INDUSTRIES	
Termination Caps	Horizontal	Co-axial Kit, 26" long	—	—	—	—	551DVK	
		Standard Co-axial	46DVA-HC	4DT-HC	TM-4HT	—	—	
		Deluxe Co-axial	—	—	TM-4DHT	—	—	
		High Wind Co-axial	—	—	—	SV4CHC	—	
	Vertical	Standard Co-axial	46DVA-VC	4DT-VC	TM-4VT	—	HSDV4658-1313	—
		High Wind Co-axial	46DVA-VCH	—	—	SV4CGV	—	—
		Extended Co-axial	46DVA-VCE	—	—	—	—	—
		Co-linear	—	—	—	3PDVCV	HS-C33U-99 HS-C33F-1313	559CLT
	Snorkel, 14" Rise		46DVA-SNK14	4DT-ST14	TM-4ST14	—	—	—
Snorkel, 36" Rise		46DVA-SNK36	4DT-ST36	TM-4ST36	—	—	—	
Vent Adapters / Couplers	Universal Adapter 3" Flex Coupler		2150	—	TM-CFAA3	—	—	
	Co-linear Flex Connector		46DVA-ADF	—	—	—	—	
	Co-axial-to-Co-linear Adapter		46DVA-GCL	—	TM-4CAA	—	556CLA	
	Co-linear-to-Co-axial Adapter		46DVA-GK	—	TM-4CTA	—	—	
Aluminum Flexible Liner	3" diameter		2280 Series	3" ACFL	NOTE: 2-ply liner approved to CAN/ULC S635 suitable for venting gas appliances. As manufactured by Z-Flex.			
Adjustable Pipe Length 4" x 6-5/8"	4" to 10"	Galvanized	—	4DT-ADJ	—	—	—	
		Black	—	4DT-ADJ(B)	—	—	—	
	1-1/2" to 6"	Galvanized	—	—	—	SV4LA	—	—
		Black	—	—	—	SV4LBA	—	—
	1-1/2" to 12"	Galvanized	—	—	TC-4DLT	SV4LA12	—	—
		Black	—	—	TC-4DLTB	SV4LBA12	—	—
	1-1/2" 24"	Galvanized	—	—	—	SV4LA24	—	—
		Black	—	—	—	SV4LBA24	—	—
DV 45° Elbows	Galvanized		46DVA-E45	—	TE-4DE45	—	—	
	Black		46DVA-E45B	—	TE-4DE45B	SV4EBR45	—	
	Galvanized Swivel		—	4DT-EL45	—	SV4E45	—	
	Black Swivel		—	4DT-EL45(B)	—	SV4EB45	—	
DV 90° Elbows	Galvanized		46DVA-E90	—	TE-4DE90	—	—	
	Black		46DAV-E90B	—	TE-4DE90B	SV4EBR90	—	
	Galvanized Swivel		—	4DT-EL90	—	SV4E90	—	
	Black Swivel		—	4DT-EL90(B)	—	SV4EB90	—	

Approved Venting Components

Venting Parts Description			Venting Parts Code / availability by Manufacturer					
			SIMPSON DURA-VENT	SELKIRK	ICC EXCEL DIRECT	SECURE VENT	RLH INDUSTRIES	MILES INDUSTRIES
Pipes 4" x 6 5/8" (ID x OD)	6" long	Galvanized	46DVA-06	4DT-06	TC-4DL6	SV4L6	—	—
		Black	46DVA-06B	4DT-06(B)	TC-4DL6B	SV4LB6	—	—
	9" long	Galvanized	46DVA-09	4DT-09	—	—	—	—
		Black	46DVA-09B	4DT-09(B)	—	—	—	—
	12" long	Galvanized	46DVA-12	4DT-12	TC-4DL1	SV4L12	—	—
		Black	46DVA-12B	4DT-12(B)	TC-4DL1B	SV4LB12	—	—
	18" long	Galvanized	46DVA-18	4DT-18	—	—	—	—
		Black	46DVA-18B	4DT-18(B)	—	—	—	—
	24" long	Galvanized	46DVA-24	4DT-24	TC-4DL2	SV4L24	—	—
		Black	46DVA-24B	4DT-24(B)	TC-4DL2B	SV4LB24	—	—
	36" long	Galvanized	46DVA-36	4DT-36	—	SV4L36	—	—
		Black	46DVA-36B	4DT-36(B)	—	SV4LB36	—	—
	48" long	Galvanized	46DVA-48	4DT-48	TC-4DL4	SV4L48	—	—
		Black	46DVA-48B	4DT-48(B)	TC-4DL4B	SV4LB48	—	—
Flashings	Roof Flashing 0/12-6/12		46DVA-F6	4DT-AF6	TF-4FA	SV4FA	—	—
	Roof Flashing 7/12-12/12		46DVA-F12	4DT-AF12	TF-4FB	SV4B	—	—
	Flat Roof Flashing		46DVA-FF	—	TF-4F	SV4F	—	559FSK
	Masonry Flashing		—	—	TF-4MF	—	—	—
Various Venting System Parts	Wall Thimble		46DVA-WT	4DT-WT	TM-4WT	SV4RSM	—	—
	Storm Collar		46DVA-SC	4DT-SC	TM-SC	SV4AC	—	—
	Decorative Plate		46DVA-DC	4DT-CS	TM-4TR	SV4PF	—	—
	Cathedral Ceiling Support		46DVA-CS	4DT-CCS	—	—	—	—
	Ceiling Firestop / Floor Support		46DVA-FS	4DT-FS	TM-CS	SV4BF SV4SD	—	—
	Attic Radiation Shield / Firestop		—	—	TM-4AS	—	—	—
	Wall Strap		46DVA-WS	4DTWS	TM-WS	—	—	—
	Vinyl Siding Standoff		46DVA-VSS	4DT-VS	TM-VSS	SV4VS	—	—
	Elbow Strap / Offset Support		46DVA-ES	4DT-OS	TM-OS	—	—	—
Terminal Guard		46DVA-WG	—	—	—	—	835TG	

Notes:

- 1) All listed above co-axial pipes and fittings require Valor 817VAK Adapter Kit to fit Valor's smooth collars.
- 2) Follow instructions supplied with each manufacturer's components.
- 3) Unless otherwise specified, all the parts and assemblies from the above table are to be used with 4" x 6-5/8" pipes.
- 4) **Do not mix components from different vent manufacturers.**
- 5) Termination caps manufactured by RLH Industries are from *Homestyle Chimney Collection* and can be ordered in one of the following finishes:
a) aluminium; b) black powder coated; c) solid copper.

Warranty

If you have a problem with this unit, please contact your dealer or supplier immediately. Under no circumstances should you attempt to service the unit in any way by yourself. The warranties in paragraphs 1 and 2 are provided only to the first purchaser/user of this unit, are not transferable and are subject to the conditions and limitations in paragraphs 3, 4 and 5. Please review the conditions and limitations carefully and strictly follow their requirements.



1. Extended Warranty Coverage

For a period of up to ten (10) years, Miles Industries Ltd., (the "Company") or its appointed distributor will at its option pay the initial purchaser for the repair of, or will exchange the following parts or components which are found to be defective in material or workmanship under normal conditions of use and service:

Part or Component	Defect Covered	Maximum Warranty Period
Exterior steel casing	Corrosion	10 years
Glass	Loss of structural integrity	10 years
Cast iron parts	Corrosion	10 years
Firebox and heat exchanger	Corrosion (but not discoloration) causing loss of structural integrity	10 years

2. Two-Year Parts Warranty

In addition, for two (2) years from the date of purchase, the Company, at its option, can repair or exchange all parts and components not listed above but that are found to have a *bona fide* defect in material or workmanship under normal conditions of use.

3. Conditions and Limitations

- a) The warranty registration card must be completed by the initial owner and returned to the Company within 90 days of purchase.
- b) Installation and maintenance must be performed by an authorized and trained dealer in accordance with the Company's installation instructions.
- c) This warranty is void where installation of the unit does not conform to all applicable codes including national and local gas appliance installation codes and building and fire codes.
- d) The owner must comply with all operating instructions.
- e) The Company is not responsible for the labor costs to remove defective parts or re-install repaired or replacement parts.
- f) The first purchaser or user of the unit will be responsible for any shipping charges for replacement parts as well as travel time incurred by the dealer to perform the warranty work.
- g) This warranty applies to non-commercial use and service and is void if it is apparent that there is abuse, misuse, alteration, improper installation, accident or lack of maintenance to the unit.
- h) This warranty does not cover damage to the unit through:
 - i) Improper installation, operational or environmental conditions.
 - ii) Inadequate ventilation in the area or competition for air from other household equipment or appliances.
 - iii) Damage due to chemicals, dampness, condensation, or sulphur in the fuel supply lines which exceeds industry standards.
- i) This warranty does not cover glass, log breakage or damage to the unit while in transit.
- j) The Company does not allow anyone to extend, alter or modify this warranty and assumes no responsibility for direct, indirect or consequential damages caused by the unit. State or provincial laws where the first purchaser or user resides may provide specific rights to extend this warranty and, if so, the Company's sole obligation under this warranty is to provide labor and/or materials in accordance with those laws.

4. Discharge of Liability

After two (2) years from the date of purchase, the Company may, at its option, fully discharge all obligations under this warranty by paying to the first purchaser/user the wholesale price of any defective parts.

5. No Other Warranty

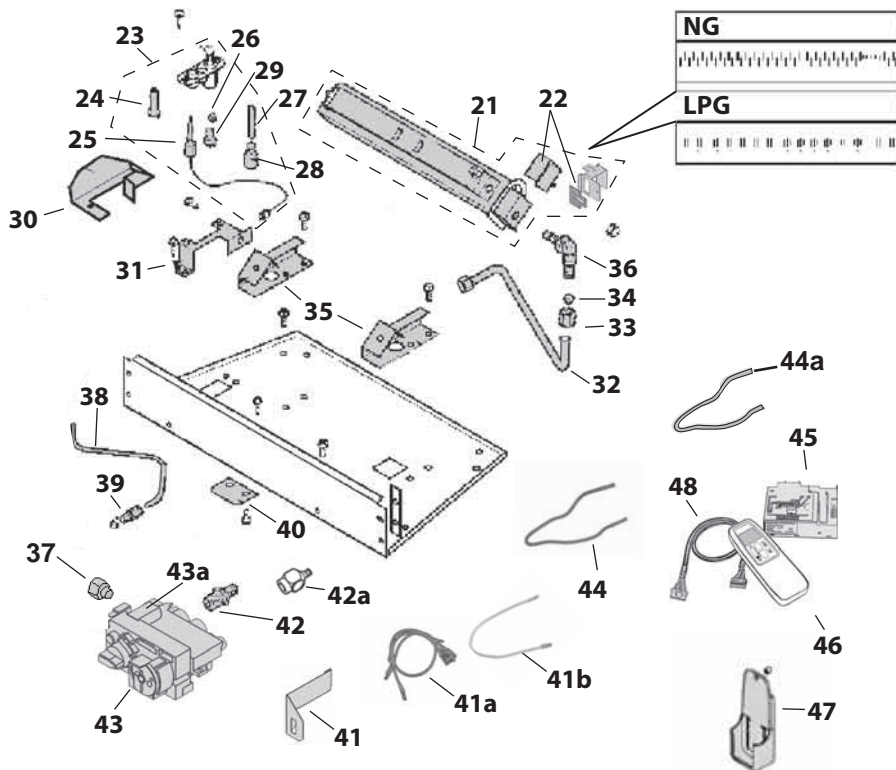
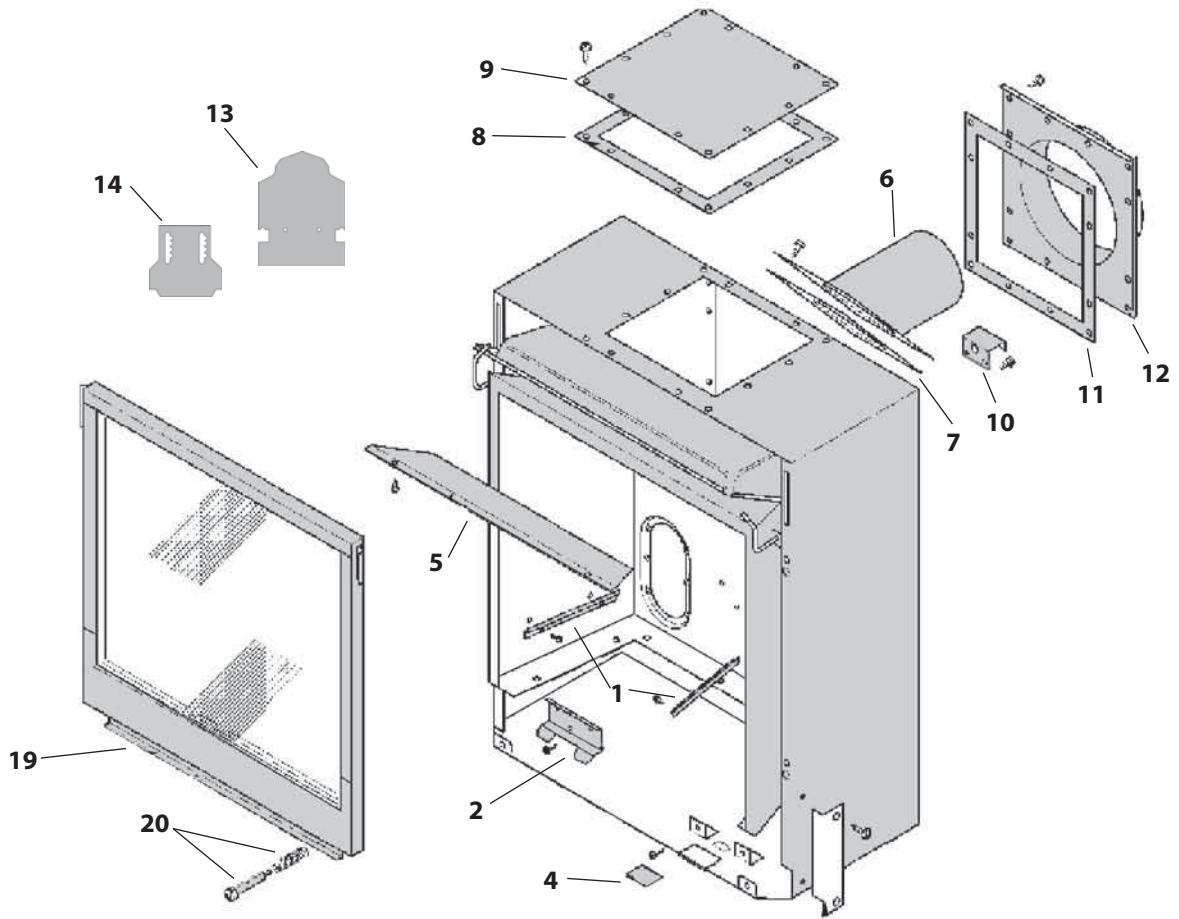
All obligations to repair this unit are defined in this warranty. Some states or provinces may specifically mandate additional warranties on the part of manufacturers, but in the absence of such specific legislation, there is no other warranty or obligation expressed or implied.

Replacement Parts

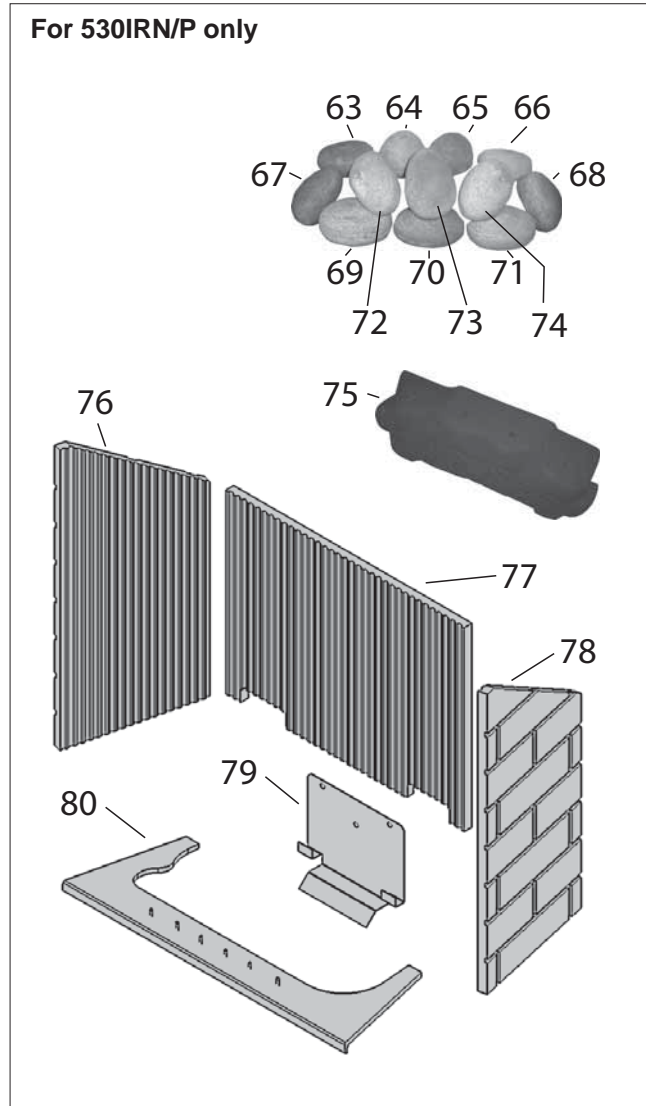
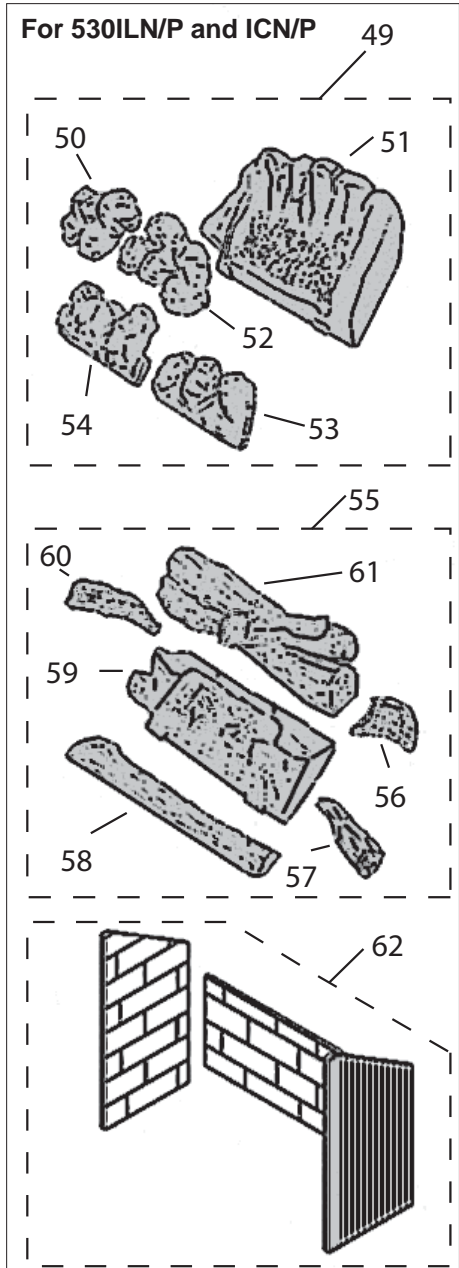
Code	Description	Part no.
1	Side wall support (2)	330A898
2	Rear wall support	320B320
4	Velcro strip	4000022
5	Port cover	4000828AH
6	Inner vent collar	340B174
7	Inner vent collar seal	620B973
8	Top vent collar seal	568399
9	Top vent cover plate	330A902
10	Wall bracket spacer (2)	320B360AZ
11	Outer vent collar seal	568399
12	Outer vent collar	330A888
13	Restrictor plates (2)	4002895
14	Adjustable plates (2)	4002896
	Screws (2) (not shown)	100A757
19	Window unit	050A216
20	Spring loaded bolt (2)	000B214
21	Burner unit incl. #22 NG/ LPG	3000025 / 740K185
22	Aeration shutter assy NG	4002345 / 4002346
22	Aeration shutter LPG	320B293
23	Pilot unit complete NG/LPG	4000062 / 4000063
24	Pilot injector NG/LPG	4002511 / 720A195
25	Thermocouple	4000061
26	Hooked olive for pilot	720A196
27	Electrode	720A543
28	Electrode nut	720A200
29	Olive nut for pilot	420K385
30	Pilot shield	4000144
31	Pilot support bracket	330A904
32	Main burner pipe	030A225
33	Olive nut	220K567
34	Olive	420K342
35	Base support bracket (2)	330A894
36	Elbow injector NG/LPG	720A580 / 9730013
37	Inlet brass connector	4000746
38	Pilot pipe	030A226
39	Snap off olive nut	220K913
40	Window support	320B399
41	Switch bracket	4001070
41a	Switch with cable	4001036
41b	Cable interruptor/receiver	4001035
42	Valve to main burner pipe connector	220K891
42a	Interruptor block	4001037

Code	Description	Part no.
43	GV60 Valve	4000873
43a	Servo motor	4001190
44	Ignition cable	4001039
44a	Ignition cable sleeve	4002244
45	Remote control receiver	4001911
46	Remote control handset	4001910
47	Wall mount holder	9000008
48	Wiring harness	4001187
49	Ceramic coal set	000B245
50	Centre left coal	640K615
51	Base coal	650K237
52	Centre right coal	640K616
53	Front right coal	640K618
54	Front left coal	640K617
55	Ceramic log set	4000162
56	Right middle log	4000372
57	Right side front log	4000470
58	Front log	4000370
59	Base log	4000368
60	Left middle side log	4000371
61	Rear log	4000369
62	Ceramic reversible walls set	4001160
63	Top far left rock	4001867
64	Top left rock	4001868
65	Top right rock	4001869
66	Top far right rock	4001870
67	Left rock	4001877
68	Right rock	4001878
69	Bottom left rock	4001874
70	Bottom center rock	4001875
71	Bottom right rock	4001876
72	Middle left rock	4001871
73	Middle center rock	4001872
74	Middle right rock	4001873
75	Rock base	4001880
76	Left reversible wall	4001162
77	Rear fluted wall	4001881
78	Right reversible wall	4001163
79	Rock base support	4001882AH
80	Ceramic platform	4001879

Replacement Parts



Replacement Parts



Thank You ...

For purchasing a Valor by Miles Industries. Your new radiant gas heater is a technical appliance that must be installed by a qualified dealer.

Please circle where appropriate - ask your installer or your dealer if in doubt. The information provided will be used for customer records only.



Model: 530I NG (natural gas) LPG (propane)				Serial No:			
Fuel Bed:		Logs		Rocks		Coals	
Front code/description (e.g. 550CAP Classic Arch):							
Purchase date (mm-dd-yyyy):							
Home Owner Name:							
Address:							
City:			Province/State:			Postal Code/Zip:	
Phone: ()			Email Address:				
Store Type:		Fire shop	Hardware	Contractor	Other		
Purchase Decision:		Male	Female	Both			
Age:	Under 30	30-39	40-49	50-59	60+		
Heard of this product through:							
	Friend	Brochure	Advertising	Mailing	Store	Internet	Other
Installation Type:							
	New home	Renovation	Other				
Reason for Purchase:							
Performance	Flame Appeal	Design	Control	Previous owner	Recommendation	Price	Other
Dealer Name:							
Address:							
City:			Province/State:			Postal Code/Zip:	
Phone: ()							

Cut out page, fill information, and mail to Miles Industries Ltd.

Online Warranty registration at www.valorfireplaces.com



Tape Shut



Fold here



Postage
needed

Miles Industries Ltd.
190 - 2255 Dollarton Highway
North Vancouver, BC V7H 3B1
Canada

Online Warranty registration at www.valorfireplaces.com

Were you given all documentation and manuals for your product? YES NO



Thank you for choosing a Valor Product